

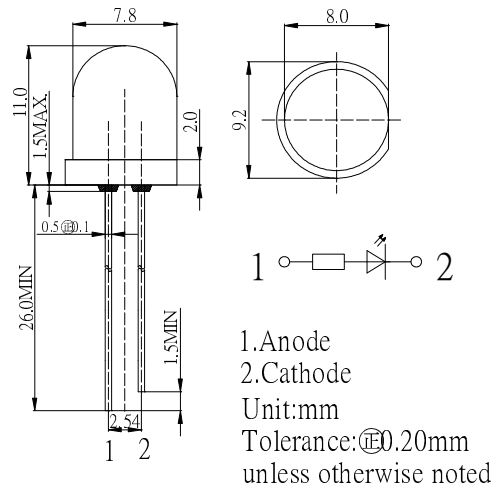
### ■ Features

- High Luminous LEDs
- 8mm Round Standard Directivity
- UV Resistant Epoxy
- Integral Current Limiting Resistor
- TTL Compatible (Requires No External Current Limiter With 12 Volt Supply)
- Cost Effective (Saves space and resistor cost)
- Water clear Type

### ■ Applications

- Status Indicators
- Other Lighting

### ■ Outline Dimension

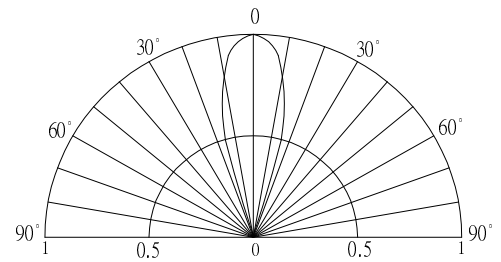


### ■ Absolute Maximum Rating

(Ta=25°C)

| Item                       | Symbol         | Value      | Unit |
|----------------------------|----------------|------------|------|
| DC Forward Voltage         | V <sub>F</sub> | 15         | V    |
| Reverse Voltage            | V <sub>R</sub> | 5          | V    |
| Power Dissipation          | P <sub>D</sub> | 225        | mW   |
| Operating Temperature      | Topr           | -30 ~ +85  | °C   |
| Storage Temperature        | Tstg           | -30 ~ +85  | °C   |
| Lead Soldering Temperature | Tsol           | 260°C/5sec | -    |

### ■ Directivity



### ■ Electrical -Optical Characteristics

(Ta=25°C)

| Part Number     | Color      |    | I <sub>F</sub> (mA) |      |      | I <sub>v</sub> (mcd)* |      |      | λD(nm)*        |      |      | 2θ1/2(deg) |
|-----------------|------------|----|---------------------|------|------|-----------------------|------|------|----------------|------|------|------------|
|                 |            |    | Min                 | Typ. | Max. | Min.                  | Typ. | Max. | Min.           | Typ. | Max. | Typ.       |
|                 |            |    | V <sub>F</sub> =12V |      |      | V <sub>F</sub> =12V   |      |      |                |      |      |            |
| OSW5DK8131A-12V | White      | W  | -                   | 10   | 15   | 3000                  | 4200 | -    | X=0.27, Y=0.28 |      |      | 30         |
| OSM5DK8131A-12V | Warm White | M  | -                   | 10   | 15   | 2180                  | 3000 | -    | X=0.45, Y=0.41 |      |      | 30         |
| OSB5SA8131A-12V | Blue       | B  | -                   | 10   | 15   | 1560                  | 2180 | -    | 465            | 470  | 475  | 30         |
| OSG5DA8131A-12V | Pure Green | TG | -                   | 10   | 15   | 3000                  | 4200 | -    | 520            | 525  | 530  | 30         |
| OSY5RU8131A-12V | Yellow     | Y  | -                   | 10   | 15   | 1120                  | 1560 | -    | 585            | 590  | 595  | 30         |
| OSY5PA8131A-12V | Yellow     | Y  | -                   | 10   | 15   | 2180                  | 3000 | -    | 585            | 590  | 595  | 30         |
| OSO5JA8131A-12V | Orange     | O  | -                   | 10   | 15   | 1120                  | 1560 | -    | 600            | 605  | 610  | 30         |
| OSO5PA8131A-12V | Orange     | O  | -                   | 10   | 15   | 2500                  | 3500 | -    | 600            | 605  | 610  | 30         |
| OSR5RU8131A-12V | Red        | R  | -                   | 10   | 15   | 1120                  | 1560 | -    | 620            | 625  | 630  | 30         |
| OSR5PA8131A-12V | Red        | R  | -                   | 10   | 15   | 2180                  | 3000 | -    | 620            | 625  | 630  | 30         |

\*1 Tolerance of measurements of chromaticity coordinate is ±10%

\*2 Tolerance of measurements of luminous intensity is ±15%

\*3 Tolerance of measurements of dominant wavelength is +1nm