

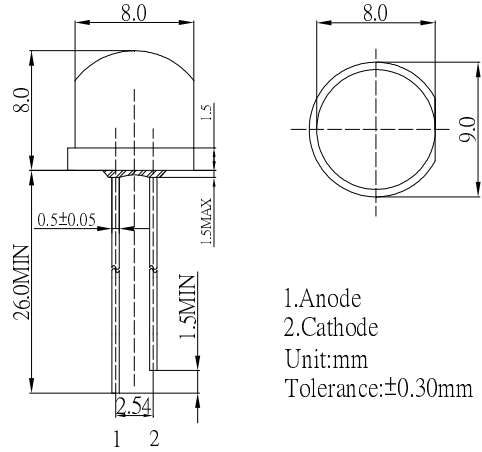
**■ Features**

- High Luminous LEDs
- 8mm Standard Directivity
- Superior Weather-resistance
- UV Resistant Epoxy
- Water Clear Type

**■ Applications**

- Electronic Signs And Signals
- Small Area Illuminations
- Back Lighting
- Other Lighting

**■ Outline Dimension**



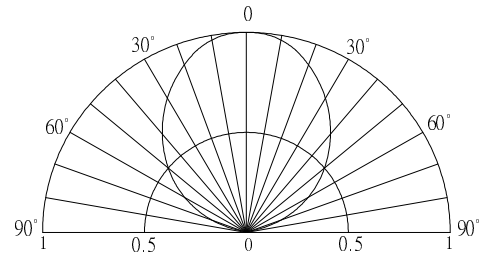
**■ Absolute Maximum Rating**

(Ta=25°C)

Item	Symbol	Value		Unit
		W/M/K/B/PG	Y/O/R	
DC Forward Current	I <sub>F</sub>	30	30	mA
Pulse Forward Current*	I <sub>FP</sub>	100	100	mA
Reverse Voltage	V <sub>R</sub>	5	5	V
Power Dissipation	P <sub>D</sub>	108	78	mW
Operating Temperature	Topr	-30 ~ +85		°C
Storage Temperature	Tstg	-40~ +100		°C
Lead Soldering Temperature	Tsol	260 °C/5sec		-

\*Pulse width Max.10ms Duty ratio max 1/10

**■ Directivity**



**■ Electrical -Optical Characteristics**

(Ta=25°C)

Part Number	Color		V <sub>F</sub> (V)			I <sub>R</sub> (μA)	I <sub>v</sub> (mcd)			λD(nm)			θ1/2(deg)
			Min.	Typ.	Max.	Max.	Min.	Typ.	Max.	Min.	Typ.	Max.	Typ.
			I <sub>F</sub> =20mA			V <sub>R</sub> =5V	I <sub>F</sub> =20mA						
OSW5DK87A1A	White	W	2.8	3.1	3.6	10	3000	4000	-	Typ. X:0.27,Y:0.28			100
OSM5DK87A1A	Warm White	M	2.8	3.1	3.6	10	1560	2180	-	Typ. X:0.45,Y:0.41			100
OSK5DK87A1A	Pink	K	2.8	3.1	3.6	10	500	750	-	Typ.X:0.45,Y:0.17			100
OSB5SA87A1A	Blue	B	2.8	3.1	3.6	10	1000	1500	-	465	465	475	100
OSG5DA87A1A	Pure Green	PG	2.8	3.1	3.6	10	2180	3000	-	520	525	530	100
OSY5PA87A1A	Yellow	Y	1.8	2.1	2.6	10	1560	2180	-	585	590	595	100
OSO5PA87A1A	Orange	O	1.8	2.1	2.6	10	2180	3000	-	600	605	610	100
OSR5PA87A1A	Red	R	1.8	2.1	2.6	10	1560	2180	-	620	625	630	100

\*1 Tolerance of dominant wavelength is ±1nm

\*2 Tolerance of luminous intensity is ±15%