

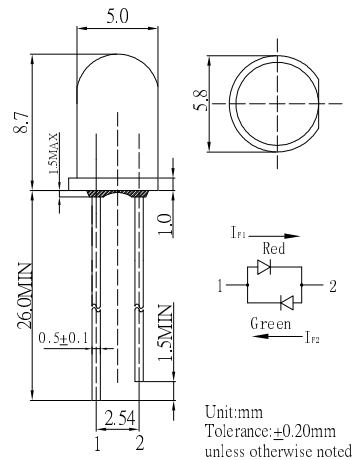
**■Features**

- High Luminous LEDs
- 5mm Round Standard Directivity
- Long Lifetime Operation
- Superior Weather-resistance
- UV Resistant Epoxy/ Water Clear Type
- Bi-Color LED

**■Applications**

- Toys
- Audio
- Games
- Other Lighting

**■Outline Dimension**

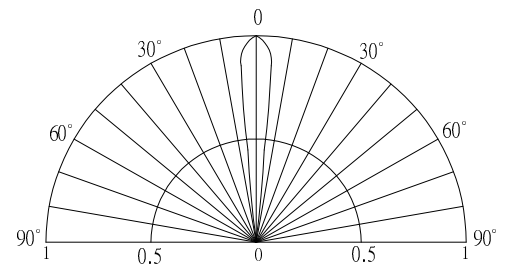


**■Absolute Maximum Rating (Ta=25°C)**

Item	Symbol	Value		Unit
		RED	PG	
DC Forward Current	I <sub>F</sub>	50	30	mA
Pulse Forward Current*	I <sub>FP</sub>	100	100	mA
Reverse Voltage	V <sub>R</sub>	5	5	V
Power Dissipation	P <sub>D</sub>	130	102	mW
Operating Temperature	Topr	-30 ~ +85		°C
Storage Temperature	Tstg	-40~ +100		°C
Lead Soldering Temperature	Tsol	260°C/5sec		-

\*Pulse width Max.10ms Duty ratio max 1/10

**■Directivity**



**■Electrical -Optical Characteristics (Ta=25°C)**

Item	Color.	Symbol	Condition	Min.	Typ.	Max.	Unit
DC Forward Voltage	RED	V <sub>F1</sub>	I <sub>F1</sub> =20mA	1.8	2.1	2.6	V
	PG	V <sub>F2</sub>	I <sub>F2</sub> =20mA	2.7	3.0	3.4	V
Domi. Wavelength*	RED	λ <sub>D1</sub>	I <sub>F1</sub> =20mA	620	625	630	nm
	PG	λ <sub>D2</sub>	I <sub>F2</sub> =20mA	520	525	530	nm
Luminous Intensity*	RED	I <sub>V1</sub>	I <sub>F1</sub> =20mA	12000	14400	-	mcd
	PG	I <sub>V2</sub>	I <sub>F2</sub> =20mA	14400	18000	-	mcd
50%Power Angle	RED	2θ <sub>1/2</sub>	I <sub>F1</sub> =20mA	-	15	-	deg
	PG	2θ <sub>1/2</sub>	I <sub>F2</sub> =20mA	-	15	-	deg

\*1 Tolerance of measurements of dominant wavelength is ±1nm

\*2 Tolerance of measurements of luminous intensity is ±15%

\*3 Tolerance of measurements of forward voltage is ±0.1V