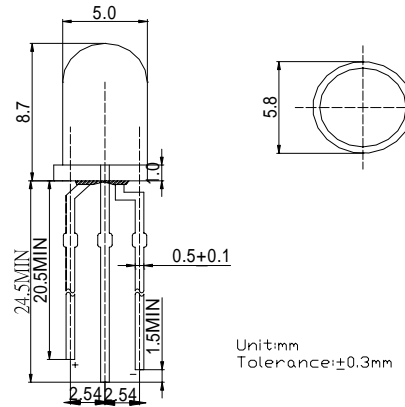


**■Features**

- High Luminous Output
- 5mm Standard Directivity
- Superior Weather-resistance
- Water Clear Type

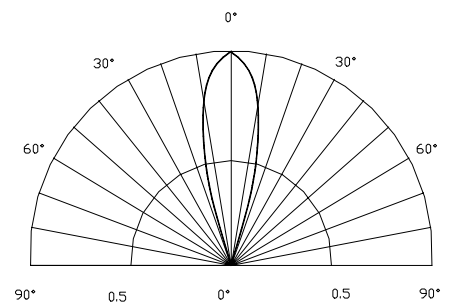
**■Applications**

- Toys
- Games
- Audio

**■Outline Dimension**

**■Absolute Maximum Rating (Ta=25 °C)**

Item	Symbol	Value	Unit
DC Forward Current	$I_F$	50	mA
Pulse Forward Current*	$I_{FP}$	150	mA
Reverse Voltage	$V_R$	5	V
Power Dissipation	$P_D$	200	mW
Operating Temperature	$T_{opr}$	-30 ~ +85	
Storage Temperature	$T_{stg}$	-30 ~ +100	
Lead Soldering Temperature	$T_{sol}$	260 /5sec	-

\*Pulse width Max.10ms Duty ratio max 1/10

**■Directivity**

**■Electrical -Optical Characteristics (Ta=25 °C)**

Item	Symbol	Condition	Min.	Typ.	Max.	Unit
DC Forward Voltage	$V_F$	$I_F=20mA$	1.8	2.0	2.5	V
DC Reverse Current	$I_R$	$V_R=5V$	-	-	10	$\mu A$
Domi. Wavelength	$\lambda_D(\text{Red})$	$I_F=20mA$	620	625	630	nm
	$\lambda_D(\text{Green})$	$I_F=20mA$	565	570	575	nm
Luminous Intensity	$I_V(\text{Red})$	$I_F=20mA$	500	750	1120	mcd
	$I_V(\text{Green})$	$I_F=20mA$	500	750	1120	mcd
50% Power Angle	$2\theta_{1/2}$	$I_F=20mA$	-	30	-	deg