

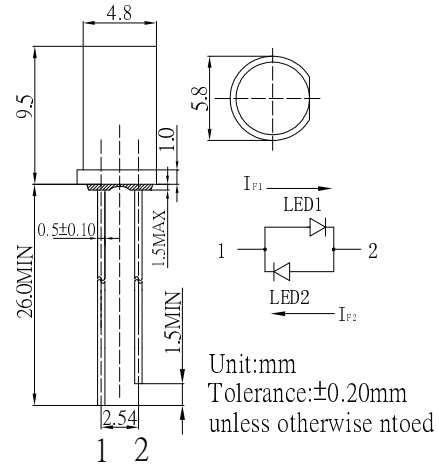
■Features

- High Luminous LEDs
- 5mm Flat Standard Directivity
- Long Lifetime Operation
- Superior Weather-resistance
- UV Resistant Epoxy/
- Color Diffused Type/ W&M: White Diffused Type
- AC LED

■Applications

- Toys
- Audio
- Games
- Other Lighting

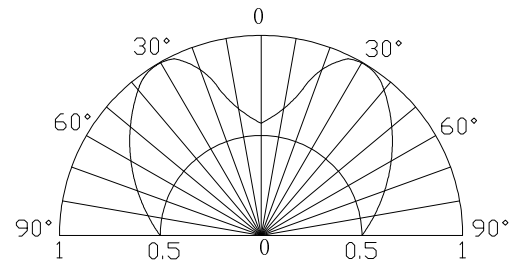
■Outline Dimension



■Absolute Maximum Rating (Ta=25°C)

Item	Symbol	Value		Unit
		W/M/B/TG	YG/Y/O/R	
DC Forward Current	I _F	30	30	mA
Pulse Forward Current*	I _{FP}	100	100	mA
Reverse Voltage	V _R	5	5	V
Power Dissipation	P _D	102	78	mW
Operating Temperature	Topr	-30 ~ +85		°C
Storage Temperature	Tstg	-40 ~ +100		°C
Lead Soldering Temperature	Tsol	260°C/5sec		-

■Directivity



*Pulse width Max.10ms Duty ratio max 1/10

Part Number	Color			V _F (V)			I _v (mcd)			λD(nm)/CCT(K)			θ1/2(deg)
				Min.	Typ.	Max.	Min.	Typ.	Max.	Min.	Typ.	Max.	Typ.
				I _F =20mA			I _F =20mA			I _F =20mA			
OSWWD25TK2A	White/	W		2.7	2.9	3.4	750	900	-	CCT: 8500-18000K			180
OSMMD25TK2A	Warm white/	M	■	2.7	2.9	3.4	750	900	-	CCT:2700-3300K			180
OSBBS25TK4A	Blue	B	■	2.7	2.9	3.4	330	500	-	465	465	475	180
OSPPD25TK4A	Pure Green	PG	■	2.7	2.9	3.4	500	750	-	520	525	530	180
OSGGH25TK4A	Yellow Green	YG	■	1.8	2.1	2.6	68	100	-	565	570	575	180
OSYYR25TK4A	Yellow	Y	■	1.8	2.1	2.6	150	220	-	585	590	595	180
OSOOR25TK4A	Orange	O	■	1.8	2.1	2.6	150	220	-	600	605	610	180
OSRRR25TK4A	Red	R	■	1.8	2.1	2.6	150	220	-	620	625	630	180

*1 Tolerance of measurements of Domi. wavelength is ±1nm
 *2 Tolerance of measurements of chromaticity coordinates is ±10%
 *3 Tolerance of measurements of luminous intensity is ±15%
 *4 Tolerance of measurements of forward voltage is ±0.1V