

Taping Outline Dimensions

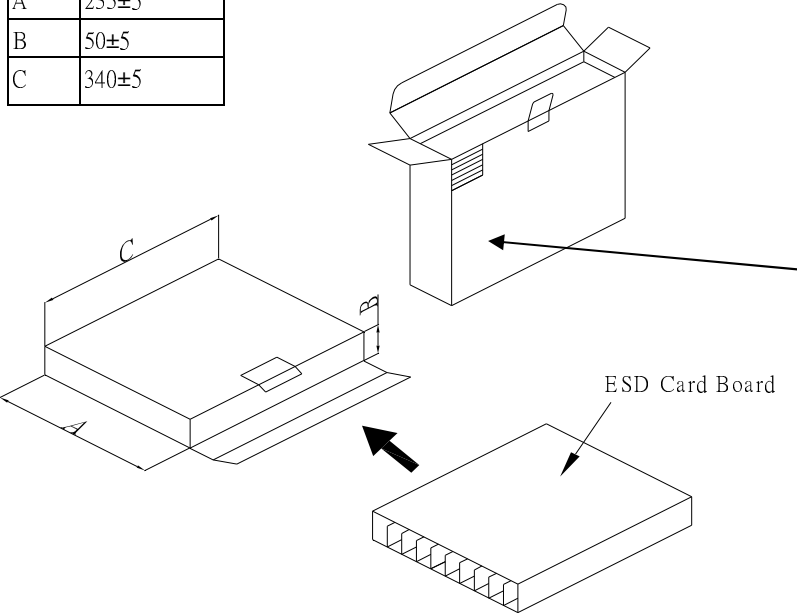
ITEM	SYMBOL	SPECIFICATION			
		Millimeter		Inch	
		Size	Tolerance	Size	Tolerance
Tape Feed Hole Diameter	D	4.0	±0.2	0.157	±0.001
Component Lead Pitch	F	2.54	±0.3	0.197	±0.020
Front To Rear Deflection	ΔH	-	MAX2.0	-	MAX0.079
Feed Hole To Bottom Of Component	H1	21.5	±0.5	0.846	±0.020
Feed Hole To Overall Component Height	H2	26.8	±0.5	1.055	±0.020
Feed Hole Pitch	P	12.7	±0.3	0.5	±0.012
Lead Location	P1	5.0	±0.7	0.197	±0.020
Center Component Location	P2	6.35	±1.3	0.25	±0.051
Overall Taped Package Thickness	T	-	MAX1.42	-	MAX0.056
Feed Hole Location	W0	9.0	±0.5	0.354	±0.020
Adhesive Tape Width	W1	13.0	±0.5	0.512	±0.020
Adhesive Tape Position	W2	-	MAX4.0		MAX0.157
Taped Width	W3	18.0	±0.5	0.709	±0.020

Packing

Unit: mm

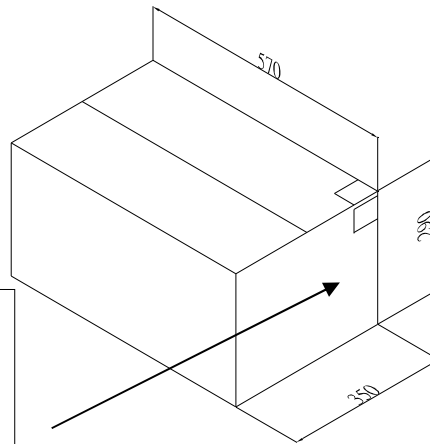
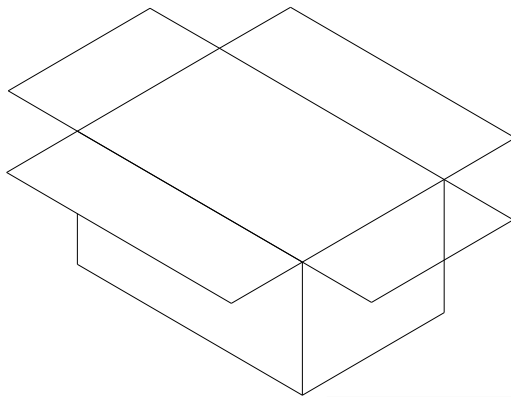
A	235±5
B	50±5
C	340±5

- 1.Package: Box(3000pcs/box)
- 2.Indication: Below indicate the label Details which affix to box.



LED LAMPS	
PART NO:	_____
LOT NO:	_____
IV:	_____
VF:	_____
COLOR:	_____
QTY:	_____
QC:	_____

3.Packaging methods: 10 Boxes/carton



LED LAMPS	
PART NO:	_____
LOT NO:	_____
IV:	_____
VF:	_____
COLOR:	_____
QTY:	_____
QC:	_____

- 3.1 There are 10 Boxes in carton, totally 30,000pcs/carton.
- 3.2 The dimension of outer carton is 480*355*275mm.