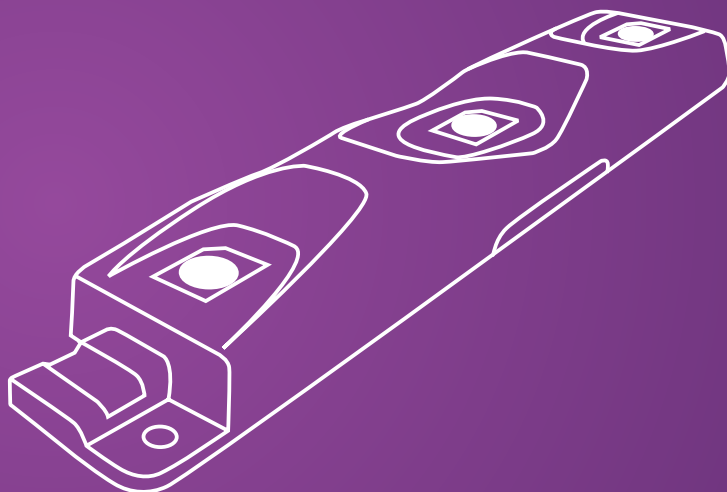


LEDDEX Premium Line

LED Module for large size signage

- _ High luminous efficiency - 92 lm/W
- _ IC and CC drivers
- _ 5 years warranty
- _ LEDs by SAMSUNG
- _ Flame retardant RESIN body
- _ Can be cut between every module

5 YEAR
WARRANTY
SAMSUNG LED



LM-SAG1-X3

GENERAL INFORMATION

FEATURES

- _High reliability LEDs by SAMSUNG (5252)
- _High luminous efficiency - 92 lm/W
- _Intelligent Control driver (IC)
- _Constant current driver (CC)
- _Flame retardant RESIN body (meets UL94 V-1 flammability standard)
- _Can be cut between every module
- _Attached 3M double-sided adhesive tape

APPLICATIONS

- _Typically used in large size signage
- _Can depth/returns: 150 - 200 mm
- _Large light boxes
- _Double-sided totems/pylons

VISUAL APPEARANCE



TECHNICAL SPECIFICATIONS

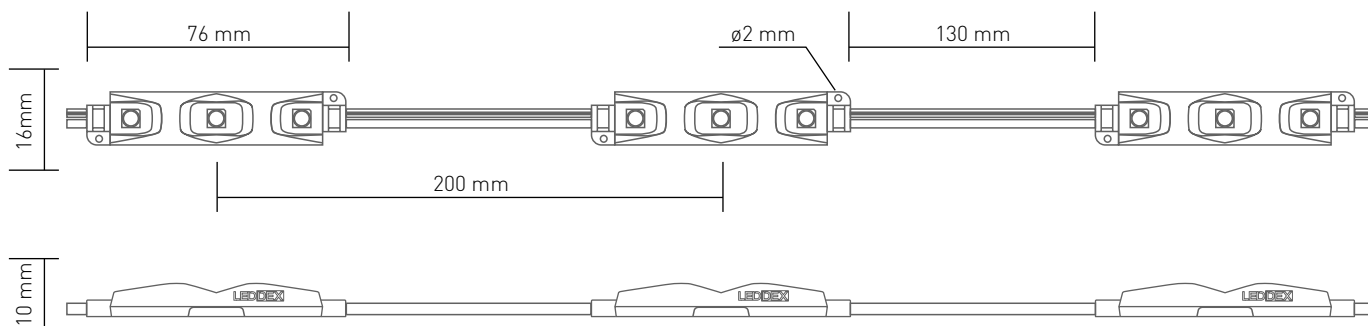
MAIN SPECIFICATIONS

Product code	LM-SAG1-W3	LM-SAG1-R3	LM-SAG1-B3
Available colors	white	red	blue
Color temperature, K	7100~7500K	-	-
Power, W	0.72W	0.60W	0.72W
Typical luminous flux, lm	66 lm	-	-
LED Type	5252 (SAMSUNG LED)		
Dimensions	76 x 16 x 10 mm		
Protection class	IP67 - fully enclosed body, Flame retardant RESIN body		

OTHER SPECIFICATIONS

Drivers	Intelligent Control (IC), Constant current (CC), Dimming: available
Working temperature	-30C° ~ +50C°
Cable length	Cable: 130 mm, Between centers: 200 mm
Mounting	Double-sided adhesive tape and mounting holes
Packaging	30 pcs. per bag, 210 pcs. per inner carton, 1680 pcs. per outer carton

TECHNICAL DRAWING



LM-SAG1-X3

LAYOUT AND SIZE COMPARISON

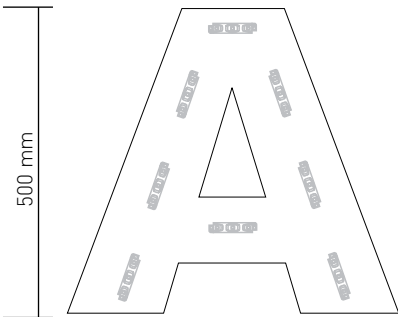
DEPTH RECOMMENDATION

PREMIUM SERIES LED MODULES

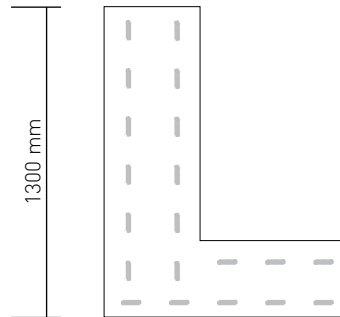
Product	Letter / Lightbox / Projector sign depth, mm																					
	40	50	60	70	80	90	100	110	120	130	140	150	160	170	180	190	200	210	220	230	240	250
LM-SAG2-W1	◆	◆	◆	◆	◆	◆																
LM-SAG1-X2					◆	◆	◆	◆	◆	◆	◆	◆	◆	◆	◆	◆	◆	◆	◆	◆	◆	◆
LM-SAG1-X3												◆	◆	◆	◆	◆	◆	◆	◆	◆	◆	◆
LM-SAG2R-W1			◆	◆	◆	◆	◆	◆	◆	◆	◆	◆	◆	◆	◆	◆	◆					

LAYOUT EXAMPLE

LM-SAG1-X3 LED MODULE



Height: 500 mm
Stroke: 150 mm
Depth: 150 mm
Brightness: ~2200 lx
Typeface: Arial Black



Height: 1300 mm
Stroke: 400 mm
Depth: 200 mm
Brightness: ~1000 lx
Typeface: Arial Black

SIZE COMPARISON

PREMIUM SERIES LED MODULES

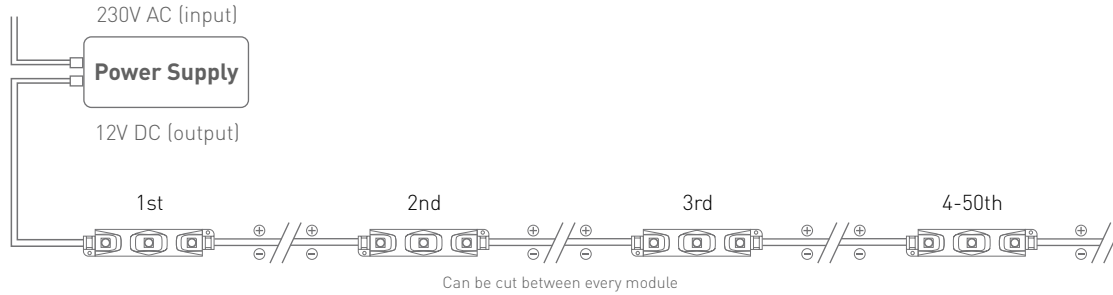
Product	Actual proportions of the LED modules	
LM-SAG2-W1		
LM-SAG1-X2		
LM-SAG1-X3		
LM-SAG2R-W1		

LM-SAG1-X3

CONNECTION IN SERIES AND PARALLEL

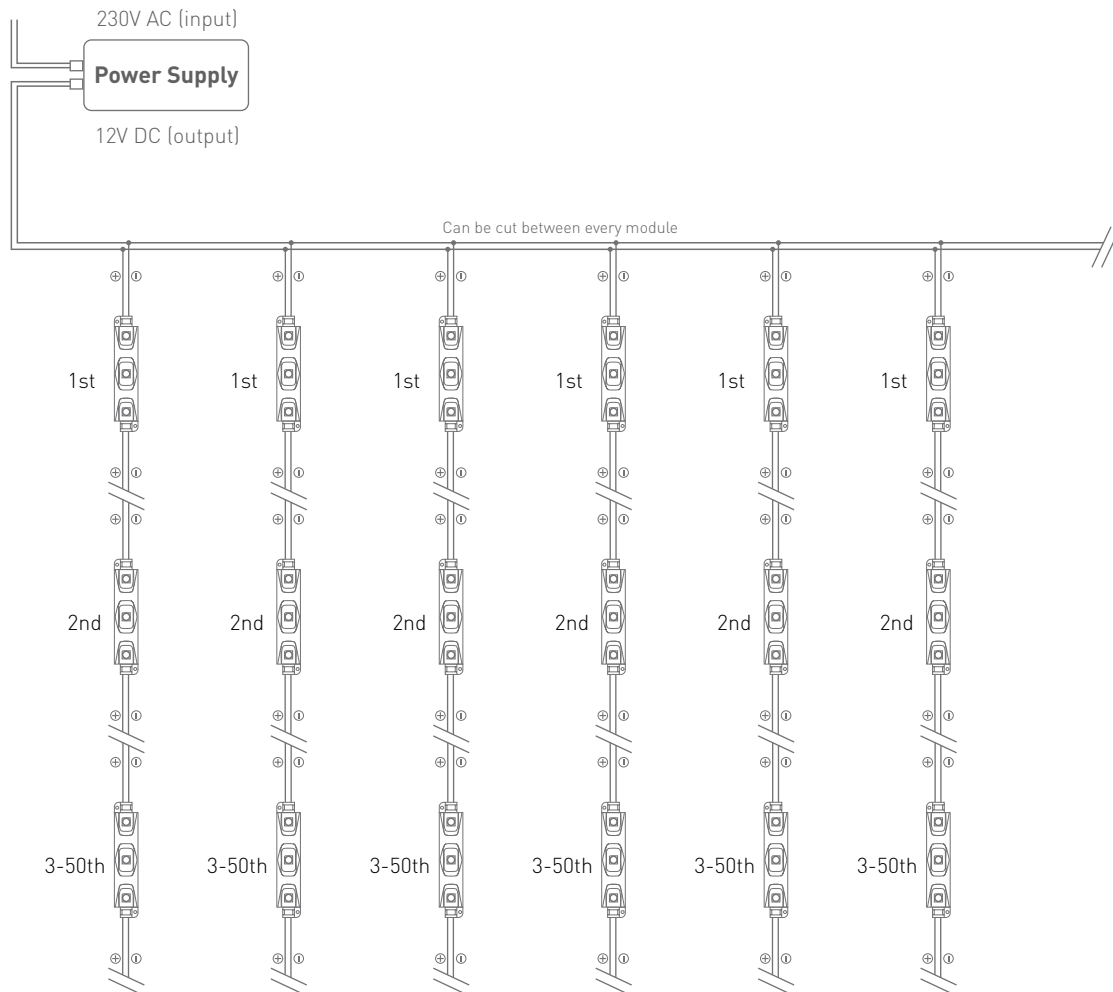
CONNECTION IN SERIES

IN SERIES



CONNECTION IN PARALLEL

IN PARALLEL



LM-SAG1-X3

_POWER SUPPLIES AND PACKAGING

POWER SUPPLIES

MAX. NO. OF MODULES PER POWER SUPPLY

Product	LPS-12V18W Power: 18W	LPS-12V60W Power: 60W	LPS-12V100W Power: 102W
LM-SAG2-W1 (0.6W per pc.)	25	84	142
LM-SAG1-X2 (0.48W per pc.)	31	103	175
LM-SAG1-X3 (0.72W per pc.)	21	69	117
LM-SAG2R-W1 (1.44W per pc.)	10	35	59

PACKAGING

NO. OF MODULES PER PACKAGE

Product	Plastic bag	Inner carton	Outer carton
LM-SAG2-W1	50	200	2400
LM-SAG1-X2	30	210	1680
LM-SAG1-X3	30	210	1680
LM-SAG2R-W1	20	100	500

