

VEGA LM-045-W1

High reliability LEDs	100 LM/W	160°	CC Constant current driver
LM80 Rated	Flame retardant RESIN body	One color bin	3M double-sided adhesive tape attached



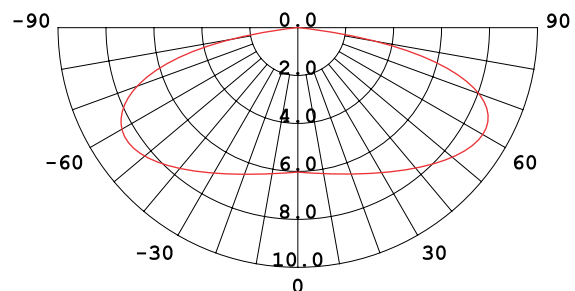
Product ratings

LED Type	2835
Luminous efficacy	100 lm/W
Typical luminous flux, lm	43 lm
Max. Wattage per module	0.45 W (0.43 W Nom.)
Input current	0.036 A/module
Ingress protection	IP67
Mounting	Double-sided adhesive tape and mounting screw holes
Operating temperature	-30°C ~ +60°C
L70 lifetime	> 60.000 hours (based on IES TM-21-11)
Warranty	5 years limited

Applications

Typically used in small size signage
 Can depth/returns: 30 - 120 mm
 Letters with stroke width of approx. 20~100 mm
 Shallow-medium depth light boxes
 Double-sided projecting signs

Luminous intensity distribution



Power supply load chart

Plastic case power supply	Maximal quantity of modules	Maximal quantity of modules per string	Maximal length of module chain, meters
18W	40	40	5,2
60W	133*	50	17,3
100W	222*	50	28,9
Metal case power supply			
40W	88*	30	11,4
80W	177*	30	23
120W	266*	30	34,5
240W	533*	30	69,2
320W	711*	30	92,4
480W	1066*	30	138,5

*wired in parallel strings

Maximum wire length from modules to power supply

Gauge (AWG)	Wire cross-section (mm ²)	Maximal distance from power supply to LED load at full capacity (m)
26	0,13	0,9
24	0,21	1,2
22	0,33	2,1
20	0,52	3,4
18	0,82	5,5
16	1,31	8,8
14	2,08	13,7
12	3,31	21,6
10	5,26	36,6

VEGA LM-045-W1

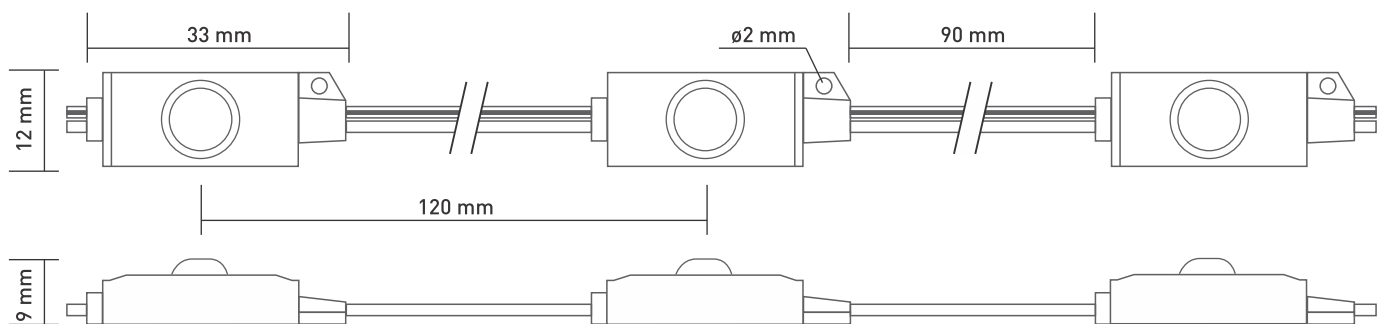
Ordering information

Module version	White color temperature	Availability	Minimal number of modules per meter	Nominal light output per module ($\pm 10\%$)	Minimal light output per meter ($\pm 10\%$)
LM-045-W1	6500K	stock item	8	43	344
LM-045-W1(5000)	5000K	available on pre-order	8	40	320
LM-045-W1(4000)	4000K	available on pre-order	8	40	320
LM-045-W1(3000)	3000K	available on pre-order	8	38	304

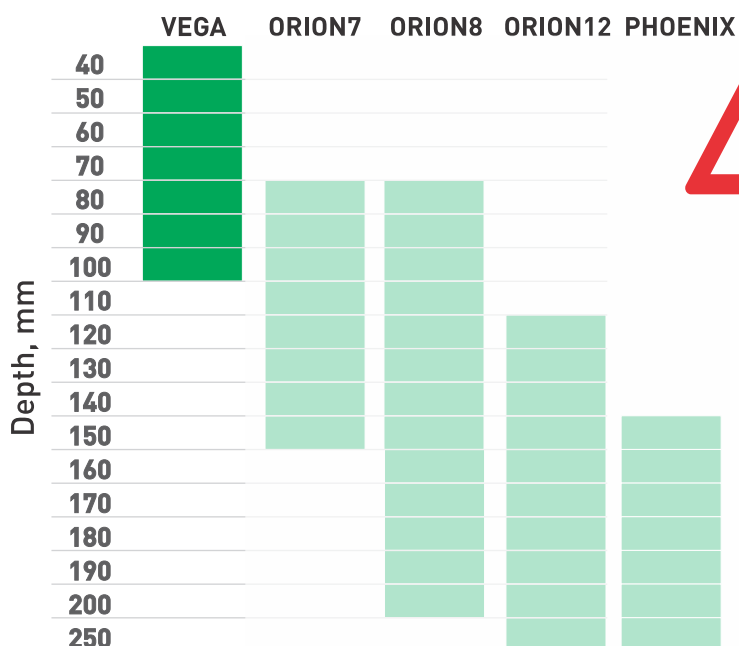
Shipping information

Anti-static bag quantity	50 (1 chain)	Inner box dimensions	41 x 24 x 10 cm
Inner box quantity	300 (6 antistatic bags)	Inner box weight	3 kgs
Outer carton quantity	3000 (5 inner boxes)	Carton weight	16,1 kgs
		Outer carton dimensions	52 x 42 x 26 cm

Technical drawing and dimensions



Luminaire modules for various depths



- This product is only suitable for connection to dedicated Class 1 or Class 2 power supplies rated DC12V ($\pm 5\%$)
- This product is not to draw a total wattage of greater than the secondary (output) rating of the power supply
- Double-sided adhesive tape is for placement of the module only and additional fixation is needed
- This product is suitable for use in dry, damp and wet locations, but not suitable for submersed application
- Specifications of the products might change without further notice. Make sure to use the most recent datasheet version.