

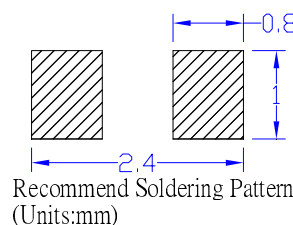
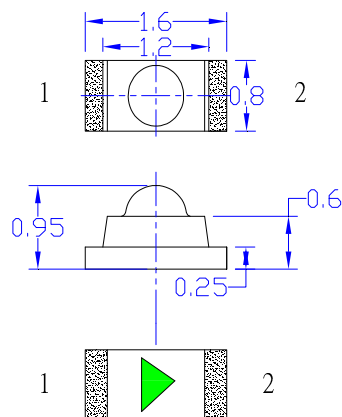
■ **Features**

- Single chip
- Super high brightness of surface mount LED
- Compact package outline  
(LxWxT) of 1.6mm x 0.8mm x 0.95mm
- Compatible to IR reflow soldering.

■ **Applications**

- Backlighting (switches, keys, etc.)
- Marker lights (e.g. steps, exit ways, etc.)

■ **Outline Dimension**



Unit:mm  
Tolerance:±0.2

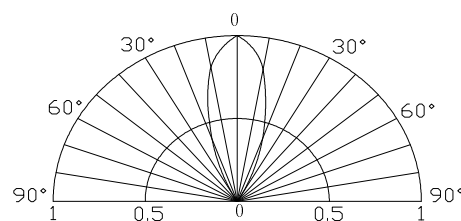
■ **Absolute Maximum Rating**

(Ta=25°C)

Item	Symbol	Value		Unit
		BL/TG	YG/YL/OR/HR	
DC Forward Current	I <sub>F</sub>	30	25	mA
Pulse Forward Current*	I <sub>FP</sub>	100	80	mA
Reverse Voltage	V <sub>R</sub>	5	5	V
Power Dissipation	P <sub>D</sub>	102	60	mW
Operating Temperature	T <sub>opr</sub>	-40 ~ +85		°C
Storage Temperature	T <sub>stg</sub>	-40 ~ +85		°C
Lead Soldering Temperature	T <sub>sol</sub>	260°C/5sec		-

\*Pulse width Max 0.1ms, Duty ratio max 1/10

■ **Directivity**



■ **Electrical -Optical Characteristics**

(Ta=25°C)

Part Number	Color			V <sub>F</sub> (V)			I <sub>R</sub> (μA)	I <sub>v</sub> (mcd)			λD(nm)			2θ1/2(deg)
				Min.	Typ.	Max.	Max.	Min.	Typ.	Max.	Min.	Typ.	Max.	Typ.
				I <sub>F</sub> =5mA			V <sub>R</sub> =5V	I <sub>F</sub> =5mA						
OSB5060341F	Blue	B5		2.8	3.1	3.4	10	150	350	-	460	465	470	35
OSG5060341F	True Green	G5		2.8	3.1	3.4	10	1300	2500	-	518	521	526	35
OSG8060341F	Yellow green	G8		1.8	2.1	2.4	10	70	150	-	565	570	575	35
OSY5060341F	Yellow	Y5		1.8	2.1	2.4	10	200	400	-	585	590	595	35
OSO5060341F	Orange	O5		1.8	2.1	2.4	10	200	400	-	600	605	610	35
OSR5060341F	Red	R5		1.8	2.1	2.4	10	200	400	-	617	621	625	35

Note: \* V<sub>f</sub> tolerance: ±0.05V

\* Dominant wavelength tolerance: ±1nm

\* Luminous intensity is NIST reading. Luminous intensity tolerance:±10%