

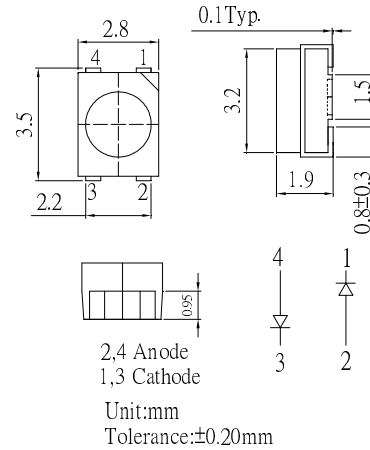
■Features

- High Luminous PLCC4 Top SMD LEDs
- 3.5x2.8x1.9mm Standard Directivity
- Long Lifetime Operation
- Superior Weather-resistance
- UV Resistant Epoxy

■Applications

- Toys
- Audio
- Games
- Other Lighting

■Outline Dimension



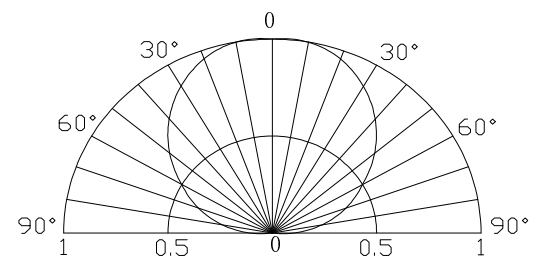
■Absolute Maximum Rating

(Ta=25°C)

Item	Symbol	Value		Unit
		W/M/B/TG	YG/Y/O/R	
DC Forward Current	I _F	30	30	mA
Pulse Forward Current*	I _{FP}	100	100	mA
Reverse Voltage	V _R	5	5	V
Power Dissipation	P _D	108	78	mW
Operating Temperature	T _{opr}	-30 ~ +85		°C
Storage Temperature	T _{stg}	-40 ~ +100		°C
Lead Soldering Temperature	T _{sol}	260°C/5sec		-

*Pulse width Max.10ms Duty ratio max 1/10

■Directivity



Part Number	Color	W	M	B	TG	YG	Y	O	R	V _F (V)			I _R (μA)	I _v (mcd)			λD(nm)			θ1/2(deg)	
										Min.	Typ.	Max.	Max.	Min.	Typ.	Max.	Min.	Typ.	Max.	Typ.	
										I _F =20mA			V _R =5V	I _F =20mA							
OSWWD4S2C1A	White/ White	W									2.8	3.1	3.6	10	1560	1900	-	CCT: 8000-18000K			120
OSMMD4S2C1A	Warm white/ Warm white	M	■								2.8	3.1	3.6	10	750	1120	-	CCT:2700-3200K			120
OSBBS4S2C1A	Blue/ Blue	B	■								2.8	3.1	3.6	10	220	400	-	465	465	475	120
OSPPD4S2C1A	True green/ True green	TG	■								2.8	3.1	3.6	10	750	1120	-	520	525	530	120
OSGGH4S2C1A	Yellow green/Yellow green	YG	■								1.8	2.1	2.6	10	150	220	-	565	570	575	120
OSYYR4S2C1A	Yellow/ Yellow	Y	■								1.8	2.1	2.6	10	220	350	-	585	590	595	120
OSOOR4S2C1A	Orange/ Orange	O	■								1.8	2.1	2.6	10	220	350	-	600	605	610	120
OSRRR4S2C1A	Red/ Red	R	■								1.8	2.1	2.6	10	220	350	-	620	625	630	120

*Tolerance of dominant chromaticity is ±10%

*2 Tolerance of luminous intensity is ±15%