

**■Features**

- Single chip
- Super high brightness of surface mount LED
- Compact package outline  
(L x W x T) of 3.2mm x 1.0mm x 1.5mm
- Compatible to IR reflow soldering.

**■Applications**

- Backlighting (switches, keys, etc.)
- Marker lights (e.g. steps, exit ways, etc.)

**■Absolute Maximum Rating**

(Ta=25°C)

Item	Symbol	Value		Unit
		W/K4/B/TG	YG/Y/OR/HR	
DC Forward Current	I <sub>F</sub>	30	25	mA
Pulse Forward Current*	I <sub>FP</sub>	100	80	mA
Reverse Voltage	V <sub>R</sub>	5	5	V
Power Dissipation	P <sub>D</sub>	102	60	mW
Operating Temperature	Topr	-40 ~ +85		°C
Storage Temperature	Tstg	-40~ +85		°C
Lead Soldering Temperature	Tsol	260°C/5sec		-

\*Pulse width Max 0.1ms, Duty ratio max 1/10

**■Electrical -Optical Characteristics**

(Ta=25°C)

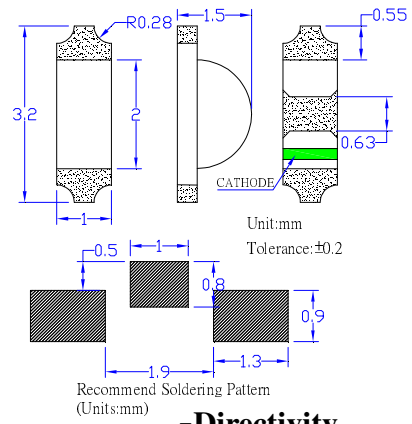
Part Number	Color		V <sub>F</sub> (V)			I <sub>R</sub> (μA)	I <sub>v</sub> (mcd)			λD(nm)			2θ1/2(deg)
			Min.	Typ.	Max.	Max.	Min.	Typ.	Max.	Min.	Typ.	Max.	Typ.
			I <sub>F</sub> =20mA			V <sub>R</sub> =5V		I <sub>F</sub> =20mA					
OSWA1204C1E	White	WA	2.8	-	3.4	10	300	450		8200K	10500K	12500K	120
OSK41204C1E	Pink	K4	2.8		3.4	10	100	200		X:0.22 Y:0.08			120
OSB51204C1E	Blue	B5	2.8	-	3.4	10	120	210		462	467	472	120
OSG51204C1E	True green	G5	2.8	-	3.4	10	350	600		518	522	526	120
OSG81204C1E	Yellow green	G8	1.8	-	2.4	10	25	50		566	569	572	120
OSY51204C1E	Yellow	Y5	1.8	-	2.4	10	70	150		586	589	592	120
OSO51204C1E	Orange	O5	1.8	-	2.4	10	70	150		600	605	610	120
OSR51204C1E	Red	R5	1.8	-	2.4	10	70	150		617	621	625	120

Note: \* V<sub>f</sub> tolerance: ±0.05V

\* Dominant wavelength tolerance: ±1nm

\* Luminous intensity is NIST reading. Luminous intensity toleran

**■Outline Dimension**



**■Directivity**

