

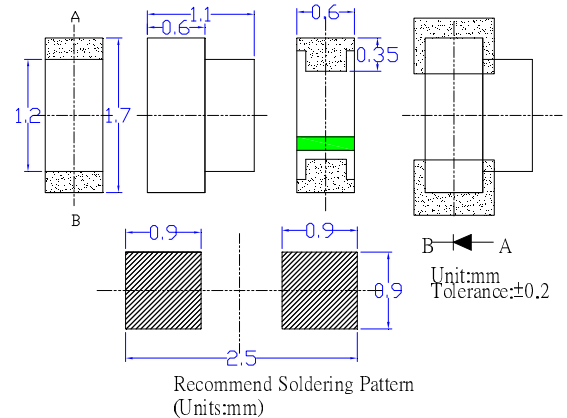
■Features

- Single chip
- Super high brightness of surface mount LED
- Compact package outline
(L x W x T) of 1.7mm x 0.6mm x 1.1mm
- Compatible to IR reflow soldering.

■Applications

- Backlighting (switches, keys, etc.)
- Marker lights (e.g. steps, exit ways, etc.)

■Outline Dimension



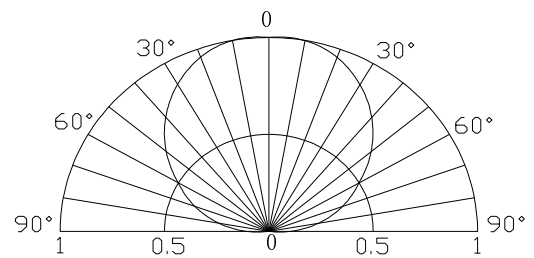
■Absolute Maximum Rating

(Ta=25°C)

Item	Symbol	Value		Unit
		W/B/TG	YG/Y/OR/HR	
DC Forward Current	I _F	30	25	mA
Pulse Forward Current*	I _{FP}	100	80	mA
Reverse Voltage	V _R	5	5	V
Power Dissipation	P _D	102	60	mW
Operating Temperature	T _{opr}	-40 ~ +85		°C
Storage Temperature	T _{stg}	-40 ~ +85		°C
Lead Soldering Temperature	T _{sol}	260°C/5sec		-

*Pulse width Max 0.1ms, Duty ratio max 1/10

■Directivity



■Electrical -Optical Characteristics

(Ta=25°C)

Part Number	Color		V _F (V)			I _R (μA)	I _v (mcd)			λD(nm)			θ1/2(deg)
			Min.	Typ.	Max.		Max.	Min.	Typ.	Max.	Min.	Typ.	
			I _F =20mA			V _R =5V		I _F =20mA					
OSWA0602C1E	White	WA	2.8	-	3.4	10	300	550	-	6000K	8500K	12500K	120
OSB50602C1E	Blue	B5	2.8	-	3.4	10	120	250	-	460	465	475	120
OSG50602C1E	True green	G5	2.8	-	3.4	10	350	600	-	515	523	530	120
OSG80602C1E	Yellow green	G8	1.8	-	2.4	10	25	50	-	565	570	575	120
OSY50602C1E	Yellow	Y5	1.8	-	2.4	10	70	150	-	585	590	595	120
OSO50602C1E	Orange	O5	1.8	-	2.4	10	70	150	-	600	605	610	120
OSR50602C1E	Red	R5	1.8	-	2.4	10	70	150	-	615	620	630	120

Note: * V_f tolerance: ±0.05V

* Dominant wavelength tolerance: ±1nm

* Luminous intensity is NIST reading. Luminous intensity tolerance:±10%