



## **SMD LED**

# Product Data Sheet

## LTSN-D353EGBW

Spec No.: DS22-2014-0092

Effective Date: 09/20/2014

Revision: B

**LITE-ON DCC**

**RELEASE**

**BNS-OD-FC001/A4**

## SMD LED LTSN-D353EGBW

### 1. Description

SMD LEDs from Lite-On are available in miniature sizes and special configurations for automated PC board assembly and space-sensitive applications. These SMD LEDs are suitable for use in a wide variety of electronic equipment, including cordless and cellular phones, notebook computers, network systems, home appliances, and indoor signboard applications..

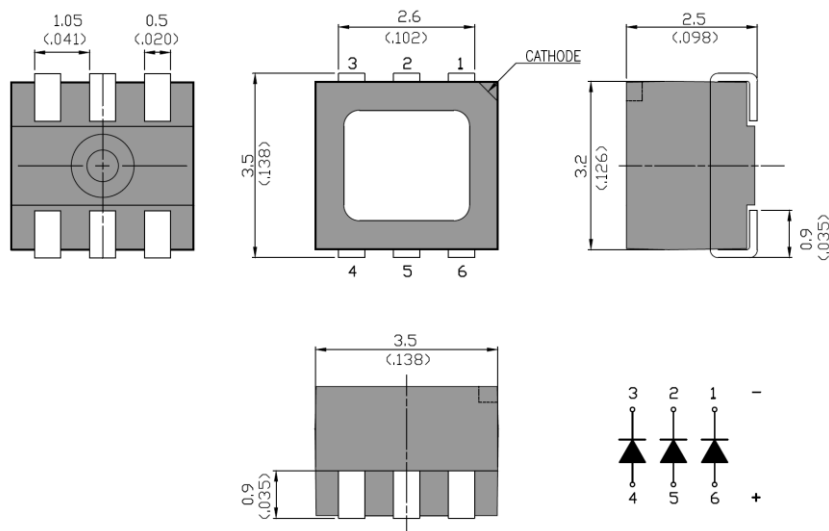
#### 1.1 Features

- Meet ROHS
- Package in 12mm tape on 7" diameter reels
- EIA STD package
- I.C. compatible
- Compatible with automatic placement equipment
- Compatible with infrared reflow solder process
- Preconditioning: accelerate to JEDEC level 3

#### 1.2 Applications

- Telecommunication, Office automation, home appliances, industrial equipment
- Signage
- Indoor / Outdoor display

### 2. Package Dimensions



Part No.	Lens Color	Source Color	Pin Assignment
LTSN-D353EGBW	Diffused Lens	InGaN Blue	1, 6
		InGaN Green	2, 5
		AllnGaP Red	3, 4

#### Notes:

1. All dimensions are in millimeters.
2. Tolerance is  $\pm 0.2$  mm (.008") unless otherwise noted.

# SMD LED LTSN-D353EGBW

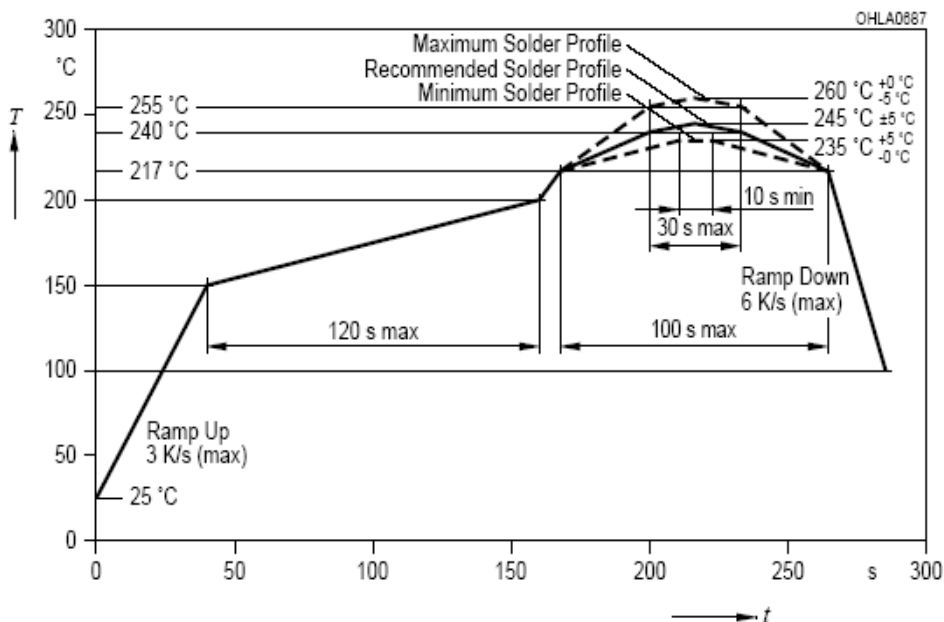
## 3. Rating and Characteristics

### 3.1 Absolute Maximum Ratings at Ta=25°C

Parameter	LTSN-D353EGBW			Unit
	Red	Green	Blue	
Power Dissipation	78	114	114	mW
Peak Forward Current (1/10 Duty Cycle, 0.1ms Pulse Width)	80	100	100	mA
DC Forward Current	30	30	30	mA
Operating Temperature Range	-40°C to + 85°C			
Storage Temperature Range	-40°C to + 100°C			

### 3.2 Suggest IR Reflow Condition for Pb Free Process:

IR-Reflow Soldering Profile for lead free soldering (Acc. to J-STD-020B)



## SMD LED LTSN-D353EGBW

### 3.3 Electrical / Optical Characteristics at Ta=25°C

Parameter	Symbol		LTSN-D353EGBW			Unit	Test Condition
			Red	Green	Blue		
Luminous Intensity	IV	MIN.	560	1120	280	mcd	IF = 20mA Note 1
		TYP.	-	-	-		
		MAX.	1120	2240	560		
Viewing Angle	$2\theta_{1/2}$	TYP.	120			deg	Note 2 (Fig.5)
Peak Emission Wavelength	$\lambda_P$	TYP.	630	518	468	nm	Measurement @Peak (Fig.1)
Dominant Wavelength	$\lambda_d$	TYP.	617	520	465	nm	IF = 20mA Note 3
			-	-	-		
			630	530	475		
Spectral Line Half-Width	$\Delta\lambda$	TYP.	15	25	20	nm	
Forward Voltage	VF	MIN.	1.8	2.8	2.8	V	IF = 20mA Note 4
		TYP.	-	-	-		
		MAX.	2.6	3.6	3.6		
Reverse Current	IR	MAX.	10	10	10	$\mu$ A	VR = 5V Note 5

#### Notes:

- Luminous intensity is measured with a light sensor and filter combination that approximates the CIE eye-response curve
- $\theta_{1/2}$  is the off-axis angle at which the luminous intensity is half the axial luminous intensity.
- The dominant wavelength,  $\lambda_d$  is derived from the CIE chromaticity diagram and represents the single wavelength which defines the color of the device
- Forward Voltage Tolerance is +/- 0.1 volt.
- Reverse voltage (VR) condition is applied to IR test only. The device is not designed for reverse operation.

**SMD LED  
LTSN-D353EGBW**

**4. Bin Rank**

**4.1 Bin Code List**

■ **IV Rank**

Luminous Intensity		Color : <u>Red</u> , Unit : mcd @20mA	
Bin Code	Min.	Max.	
U2	560.0	710.0	
V1	710.0	900.0	
V2	900.0	1120.0	

Tolerance on each Intensity bin is +/-11%

Luminous Intensity		Color : <u>Green</u> , Unit : mcd @20mA	
Bin Code	Min.	Max.	
W1	1120.0	1400.0	
W2	1400.0	1800.0	
X1	1800.0	2240.0	

Tolerance on each Intensity bin is +/-11%

Luminous Intensity		Color : <u>Blue</u> , Unit : mcd @20mA	
Bin Code	Min.	Max.	
T1	280.0	355.0	
T2	355.0	450.0	
U1	450.0	560.0	

Tolerance on each Intensity bin is +/-11%

**SMD LED  
LTSN-D353EGBW**

■ **Wd Rank**

Dominant Wavelength		Color : <u>Green</u> , Unit : nm @20mA	
Bin Code	Min.	Max.	
AP	520.0	525.0	
AQ	525.0	530.0	

Tolerance for each Dominate Wavelength bin is +/- 1nm

Dominant Wavelength		Color : <u>Blue</u> , Unit : nm @20mA	
Bin Code	Min.	Max.	
AC	465.0	470.0	
AD	470.0	475.0	

Tolerance for each Dominate Wavelength bin is +/- 1nm

**SMD LED  
LTSN-D353EGBW**

4.2 Bin Code on Tag Cross Table

Luminous Intensity Unit : mcd @ 20mA						
Bin Code On Tag	Red		Green		Blue	
	Code	Range	Code	Range	Code	Range
A1	U2	560-710	W1	1120-1400	T1	280-355
A2					T2	355-450
A3					U1	450-560
A4			W2	1400-1800	T1	280-355
A5					T2	355-450
A6					U1	450-560
A7			X1	1800-2240	T1	280-355
A8					T2	355-450
A9					U1	450-560
B1	V1	710-900	W1	1120-1400	T1	280-355
B2					T2	355-450
B3					U1	450-560
B4			W2	1400-1800	T1	280-355
B5					T2	355-450
B6					U1	450-560
B7			X1	1800-2240	T1	280-355
B8					T2	355-450
B9					U1	450-560

Tolerance on each Intensity bin is +/-11%

## SMD LED LTSN-D353EGBW

Luminous Intensity							Unit : mcd @ 20mA
Bin Code on Tag	Red		Green		Blue		
	Code	Range	Code	Range	Code	Range	
C1	V2	900-1120	W1	1120-1400	T1	280-355	
C2					T2	355-450	
C3					U1	450-560	
C4			W2	1400-1800	T1	280-355	
C5					T2	355-450	
C6					U1	450-560	
C7			X1	1800-2240	T1	280-355	
C8					T2	355-450	
C9					U1	450-560	

Tolerance on each Intensity bin is +/-11%

Dominant Wavelength							Unit : nm @20mA
Bin Code on Tag	Red		Green		Blue		
	Code	Range	Code	Range	Code	Range	
D1	-	617-630	AP	520-525	AC	465-470	
D2					AD	470-475	
D3			AQ	525-530	AC	465-470	
D4					AD	470-475	

Tolerance for each Dominate Wavelength Bin is +/- 1nm



**SMD LED  
LTSN-D353EGBW**

**5. Typical Electrical / Optical Characteristics Curves.**

(25°C Ambient Temperature Unless Otherwise Noted)

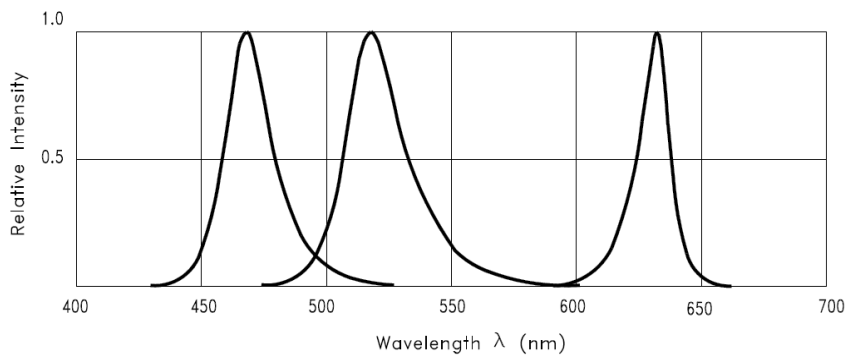


Fig.1 RELATIVE INTENSITY VS. WAVELENGTH

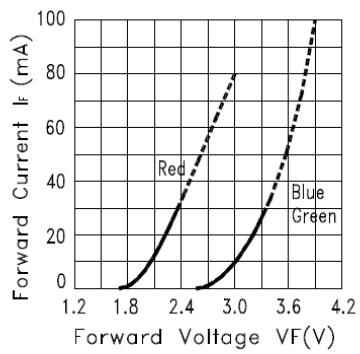


Fig.2 FORWARD CURRENT VS. FORWARD VOLTAGE

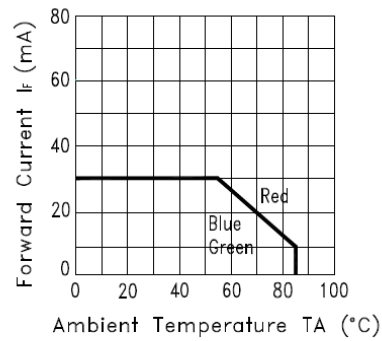


Fig.3 FORWARD CURRENT DERATING CURVE

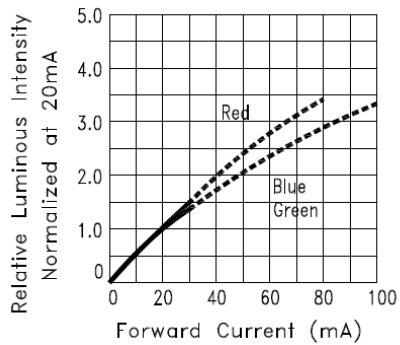


Fig.4 RELATIVE LUMINOUS INTENSITY VS. FORWARD CURRENT

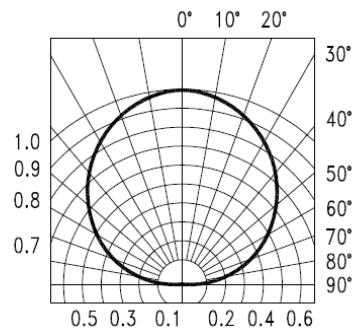


Fig.5 Spatial Distribution

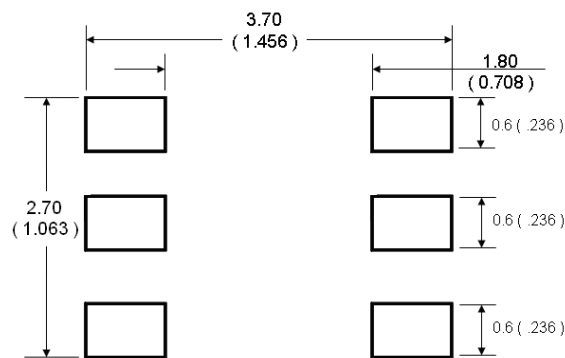
# SMD LED LTSN-D353EGBW

## 6. User Guide

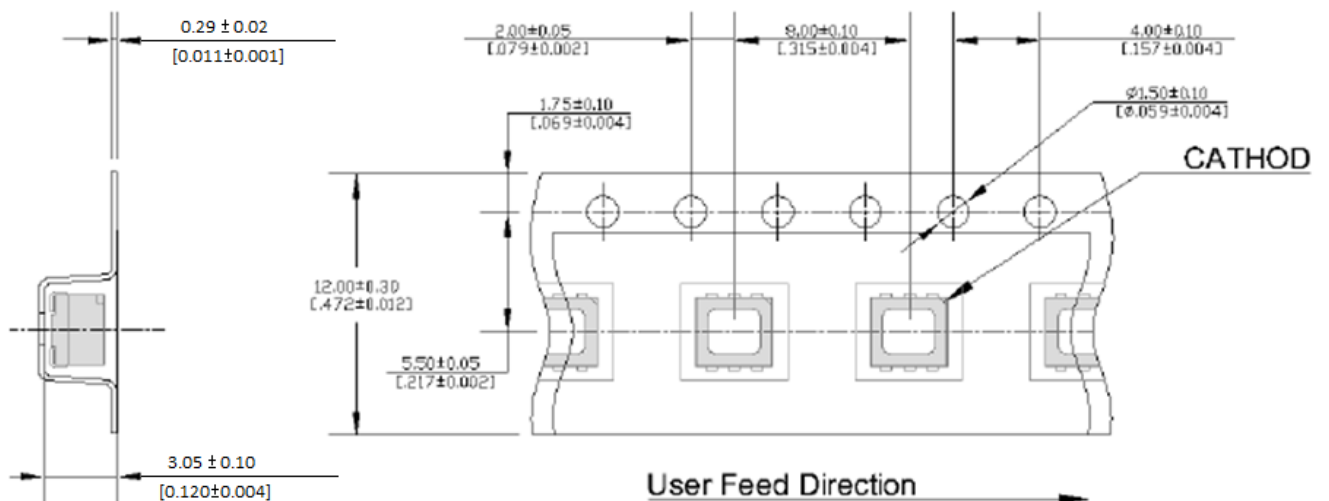
### 6.1 Cleaning

Do not use unspecified chemical liquid to clean LED they could harm the package. If cleaning is necessary, immerse the LED in ethyl alcohol or isopropyl alcohol at normal temperature for less one minute.

### 6.2 Recommend Printed Circuit Board Attachment Pad



### 6.3 Package Dimensions of Tape And Reel

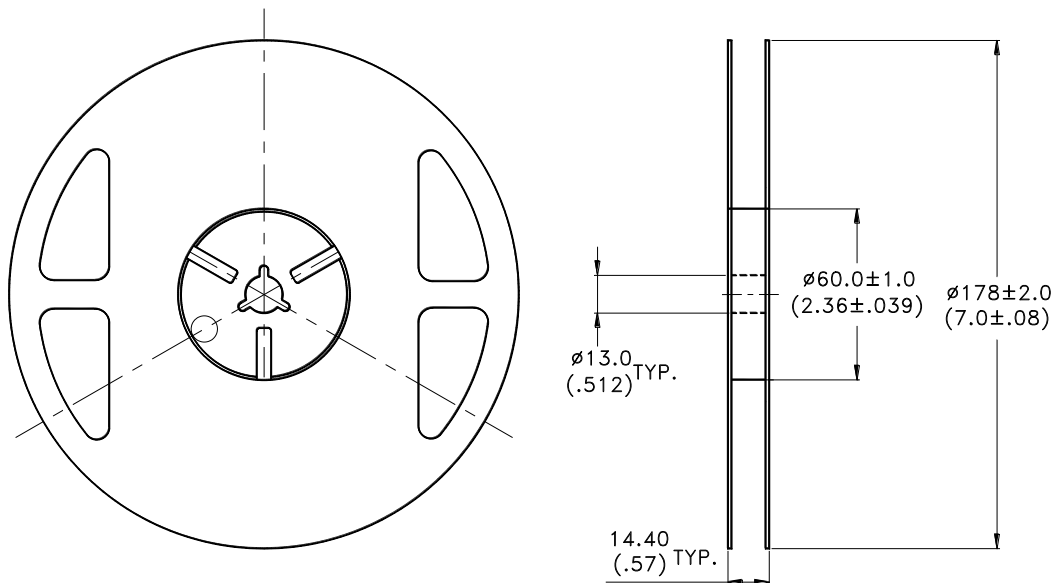


**Note:**

1. All dimensions are in millimeters (inches).

**SMD LED  
LTSN-D353EGBW**

6.4 Package Dimensions of Reel



**Notes:**

1. Empty component pockets sealed with top cover tape.
2. 7 inch reel 500 pieces per reel.
3. The maximum number of consecutive missing lamps is two.
4. In accordance with ANSI/EIA 481 specifications.

# SMD LED LTSN-D353EGBW

## 7. Cautions

### 7.1 Application

The LEDs described here are intended to be used for ordinary electronic equipment (such as office equipment, communication equipment and household applications). Consult Liteon's Sales in advance for information on applications in which exceptional reliability is required, particularly when the failure or malfunction of the LEDs may directly jeopardize life or health (such as in aviation, transportation, traffic control equipment, medical and life support systems and safety devices).

### 7.2 Storage

The package is sealed:

The LEDs should be stored at 30°C or less and 70%RH or less. And the LEDs are limited to use within one year, while the LEDs is packed in moisture-proof package with the desiccants inside.

The package is opened:

The storage ambient for the LEDs should not exceed 30°C temperature and 60% relative humidity.

It is recommended that LEDs out of their original packaging are IR-reflowed within 168hrs.

For extended storage out of their original packaging, it is recommended that the LEDs be stored in a sealed container with appropriate desiccant, or in a desiccators with nitrogen ambient.

LEDs stored out of their original packaging for more than 168hrs should be baked at about 60 °C for at least 48 hours before solder assembly.

### 7.3 Cleaning

Use alcohol-based cleaning solvents such as isopropyl alcohol to clean the LED if necessary.

### 7.4 Soldering

Recommended soldering conditions:

Reflow soldering		Soldering iron	
Pre-heat	150~200°C	Temperature	300°C Max.
Pre-heat time	120 sec. Max.	Soldering time	3 sec. Max.
Peak temperature	260°C Max.		(one time only)
Soldering time	10 sec. Max.(Max. two times)		

#### Notes:

Because different board designs use different number and types of devices, solder pastes, reflow ovens, and circuit boards, no single temperature profile works for all possible combinations.

However, you can successfully mount your packages to the PCB by following the proper guidelines and PCB-specific characterization.

LITE-ON Runs both component-level verification using in-house **KYRAMX98** reflow chambers and board-level assembly. The results of this testing are verified through post-reflow reliability testing. Profiles used at LITE-ON are based on JEDEC standards to ensure that all packages can be successfully and reliably surface mounted.

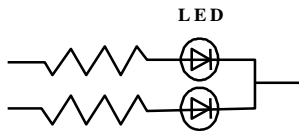
Figure on page3 shows a sample temperature profile compliant to JEDEC standards. You can use this example as a generic target to set up your reflow process. You should adhere to the JEDEC profile limits as well as specifications and recommendations from the solder paste manufacturer to avoid damaging the device and create a reliable solder joint.

## SMD LED LTSN-D353EGBW

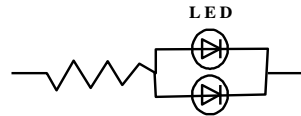
### 7.5 Drive Method

A LED is a current-operated device. In order to ensure intensity uniformity on multiple LEDs connected in parallel in an application, it is recommended that a current limiting resistor be incorporated in the drive circuit, in series with each LED as shown in Circuit A below.

**Circuit model A**



**Circuit model B**



(A) Recommended circuit.

(B) The brightness of each LED might appear different due to the differences in the I-V characteristics of those LEDs.

### 7.6 ESD (Electrostatic Discharge)

Static Electricity or power surge will damage the LED.

Suggestions to prevent ESD damage:

- Use of a conductive wrist band or anti-electrostatic glove when handling these LEDs.
- All devices, equipment, and machinery must be properly grounded.
- Work tables, storage racks, etc. should be properly grounded.
- Use ion blower to neutralize the static charge which might have built up on surface of the LED's plastic lens as a result of friction between LEDs during storage and handling.

ESD-damaged LEDs will exhibit abnormal characteristics such as high reverse leakage current, low forward voltage, or "no lightup" at low currents.

To verify for ESD damage, check for "lightup" and  $V_f$  of the suspect LEDs at low currents.

The  $V_f$  of "good" LEDs should be  $>2.0V@0.1mA$  for InGaN product and  $>1.4V@0.1mA$  for AlInGaP product.

**SMD LED  
LTSN-D353EGBW**

**8. Reliability Test**

No.	Test item	Test condition	Sample size
1	Resistance to soldering heat	Tsld = 260°C, 10sec. 3 times	77 pcs
2	Solderability	Tsld=245± 5°C (Lead Free Solder, Coverage ≥ 95% of the dipped surface)	11 pcs
3	Thermal Shock	105 ± 5°C ~ -40°C ± 5°C 30min                      30min 300cycles	77 pcs
4	Temperature Cycle	-40°C ~ 25°C ~ 105°C ~ 25°C 30min   5min   30min   5min 300cycles	77 pcs
5	High Temperature Storage	100°C    1000hrs	77 pcs
6	Low Temperature Storage	-40°C    1000hrs	77 pcs
7	Temperature Humidity Storage	85°C/85%RH 1000hrs	77 pcs
8	Room temp life test	25°C, IF: Max current , 1000hrs	77 pcs
9	High temp life test	85°C, IF: For derating current, 1000hrs	77 pcs
10	Low temp life test	-55°C, IF: Typical current, 1000hrs	60 pcs
11	High Temp./Humidity life test (WHTOL)	85°C/ 85%RH IF: For derating current 1000hrs	77 pcs

## 9. Others

The appearance and specifications of the product may be modified for improvement without prior notice.

## 10. Suggested Checking List

### Training and Certification

1. Everyone working in a static-safe area is ESD-certified?
2. Training records kept and re-certification dates monitored?

### Static-Safe Workstation & Work Areas

1. Static-safe workstation or work-areas have ESD signs?
2. All surfaces and objects at all static-safe workstation and within 1 ft measure less than 100V?
3. All ionizer activated, positioned towards the units?
4. Each work surface mats grounding is good?

### Personnel Grounding

1. Every person (including visitors) handling ESD sensitive (ESDS) items wears wrist strap, heel strap or conductive shoes with conductive flooring?
2. If conductive footwear used, conductive flooring also present where operator stand or walk?
3. Garments, hairs or anything closer than 1 ft to ESD items measure less than 100V\*?
4. Every wrist strap or heel strap/conductive shoes checked daily and result recorded for all DLs?
5. All wrist strap or heel strap checkers calibration up to date?

Note: \*50V for InGaN LED.

### Device Handling

1. Every ESDS items identified by EIA-471 labels on item or packaging?
2. All ESDS items completely inside properly closed static-shielding containers when not at static-safe workstation?
3. No static charge generators (e.g. plastics) inside shielding containers with ESDS items?
4. All flexible conductive and dissipative package materials inspected before reuse or recycles?

### Others

1. Audit result reported to entity ESD control coordinator?
2. Corrective action from previous audits completed?
3. Are audit records complete and on file?