

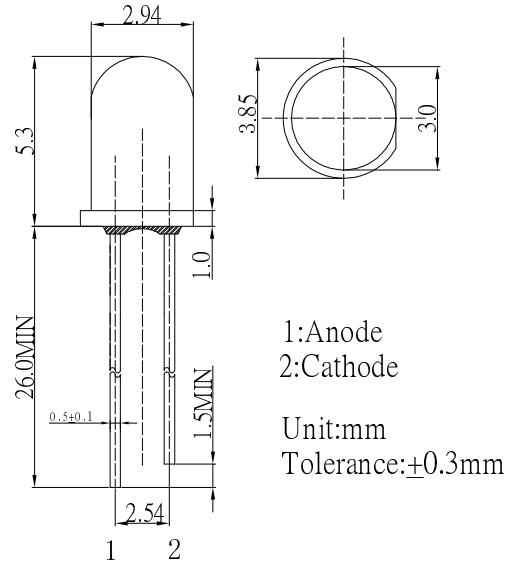
### ■Features

- High Radiant Power LEDs
- 3mm Standard Directivity
- Superior Weather-resistance
- UV Resistant Epoxy
- Long Lifetime Operation
- Water Clear Type

### ■Applications

- IrDA
- Encoder
- Data Communication

### ■Outline Dimension



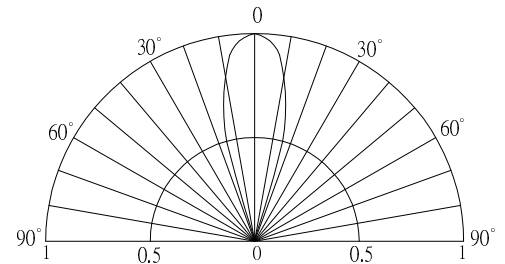
### ■Absolute Maximum Rating

(Ta=25°C)

| Item                       | Symbol           | Value      | Unit |
|----------------------------|------------------|------------|------|
| DC Forward Current         | I <sub>F</sub>   | 100        | mA   |
| Pulse Forward Current*     | I <sub>FP</sub>  | 1000       | mA   |
| Reverse Voltage            | V <sub>R</sub>   | 5          | V    |
| Power Dissipation          | P <sub>D</sub>   | 180        | mW   |
| Operating Temperature      | T <sub>opr</sub> | -30 ~ +85  | °C   |
| Storage Temperature        | T <sub>stg</sub> | -40 ~ +100 | °C   |
| Lead Soldering Temperature | T <sub>sol</sub> | 260°C/5sec | -    |

\*Pulse width Max.10ms Duty ratio max 1/10

### ■Directivity



### ■Electrical -Optical Characteristics

(Ta=25°C)

| Item               | Symbol            | Condition             | Min. | Typ. | Max. | Unit  |
|--------------------|-------------------|-----------------------|------|------|------|-------|
| DC Forward Voltage | V <sub>F</sub>    | I <sub>F</sub> =100mA | -    | 1.6  | 1.8  | V     |
| DC Reverse Current | I <sub>R</sub>    | V <sub>R</sub> =5V    | -    | -    | 10   | μA    |
| Peak Wavelength    | λ <sub>p</sub>    | I <sub>F</sub> =100mA | -    | 940  | -    | nm    |
| Radiant Intensity  | I <sub>e</sub>    | I <sub>F</sub> =100mA | -    | 40   | -    | mW/Sr |
| 50% Power Angle    | 2θ <sub>1/2</sub> | I <sub>F</sub> =100mA | -    | 30   | -    | deg   |

\*1 Tolerance of Peak wavelength is ±1nm

\*2 Tolerance of Radiant Power is ±15%