

## FLEXPOINT® Line Laser Modules

FLEXPOINT® line laser modules generate a crisp line with Gaussian power distribution along the line. Due to sophisticated electronics, a wide range of laser diodes in terms of wavelength and output power levels can be used.

In addition, the options found below in the table are also available for order and make the FLEXPOINT® line laser module a universal tool.

### Features

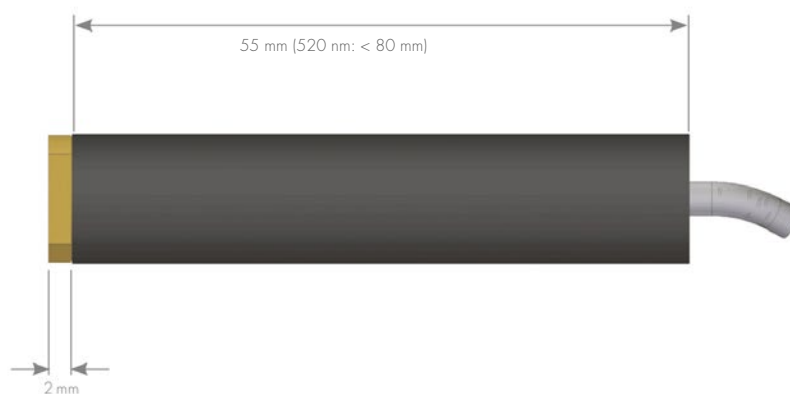
- Wavelengths from 405 nm to 905 nm (including 450 nm, 520 nm, 635-660 nm)
- Different output power levels for each wavelength
- Fan angles from 5° to 100°
- Choice of small or ruggedized housing



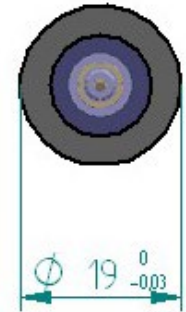
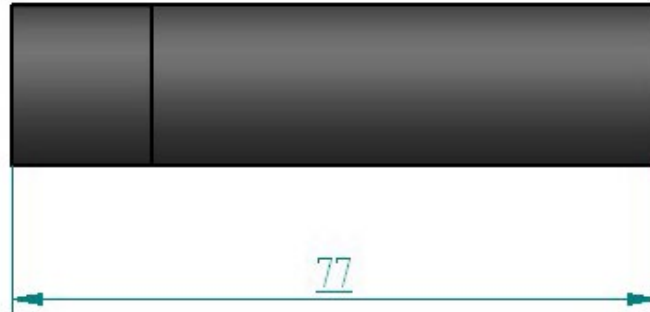
### Applications

- Industrial alignment, pointing and positioning
- Patient positioning (medical)
- Machine vision

### Standard (small) housing

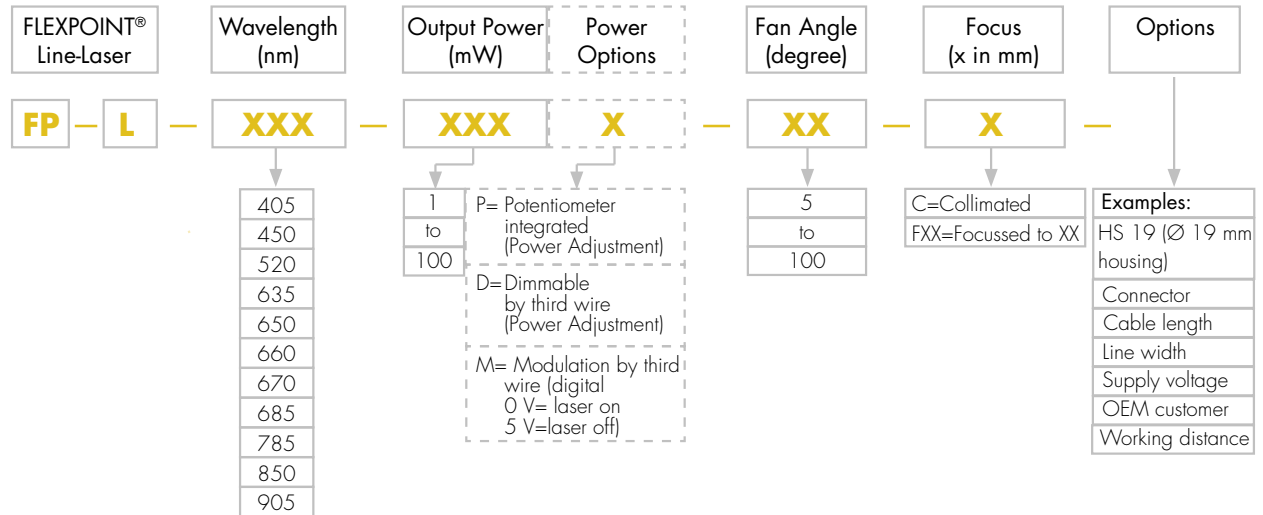


## Ruggedized Housing



Wavelength	405 nm / 450 nm / 520 nm / 635 – 640 nm / 650 – 660 nm / 670 nm / 785 nm / 850 nm / 905 nm (other wavelengths on request)
Output Power	From <1 mW up to 100 mW
Fan Angle	5° to 100°
Power Stability	Better than +/-5% (after warm up)
Beam Profile	Line, Gaussian power distribution along the line
Beam Divergence	1 mrad
Bore Sighting	< 0.5° (improved bore sighting on request)
Pointing Stability	< 50 µrad/°C
Operating Voltage	4.5 – 6 VDC, reverse voltage protection (4.5 – 30 VDC as option), 10 - 30 VDC for 405/450/520 nm
Power Consumption	30 – 150 mA, depending on laser diode
Operating Temperature	0 – 50 °C (depending on used laser diode, temperature range can be extended)
Storage Temperature	-10 °C to +60 °C
Housing Size	Standard: 57 mm length, 11.5 + 0/-0.03 mm diameter (520 nm: 70 mm length) Ruggedized: 77 mm length, 19.0 +0/-0.03 mm diameter
Housing Material	Black anodised aluminium, isolated (potential free)
Cable Length	2.0 m
Options	Power adjustment by external potentiometer Power adjustment by control wire (0 – 5 V; active low) Digital modulation up to 10 kHz (0 – 5 V; active low) Different housing style
Accessories	Mount, power supply, laser safety eyewear

Ordering Code FLEXPOINT® Line Lasers



Standard Lasers

FP-L-635-1-30-C	635 nm	1 mW	30° fan angle	collimated
FP-L-635-3-50-C	635 nm	3 mW	50° fan angle	collimated
FP-L-635-10-50-C	635 nm	10 mW	50° fan angle	collimated
FP-L-635-15-50-C	635 nm	15 mW	50° fan angle	collimated
FP-L-650-1-30-C	650 nm	1 mW	30° fan angle	collimated
FP-L-650-3-50-C	650 nm	3 mW	50° fan angle	collimated
FP-L-650-10-50-C	650 nm	10 mW	50° fan angle	collimated
FP-L-650-15-50-C	650 nm	15 mW	50° fan angle	collimated

Please contact Laser Components for standard modules at 405 nm, 450 nm, 520 nm, 670 nm, 685 nm, 785 nm, 850 nm and 905 nm.

Any other configuration (wavelength / output power / fan angle) available on request.