

## FLEXPOINT® Laser Modules HD Series

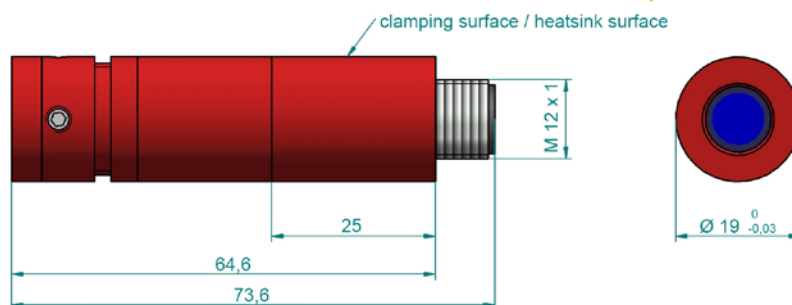
The FLEXPOINT® HD series offers various dot, line and crosshair laser modules for alignment and positioning applications. The plug and play lasers offer an user adjustable focusing mechanism and can be ordered with a wide range of accessories like power supply, battery pack and mounts.

### Features

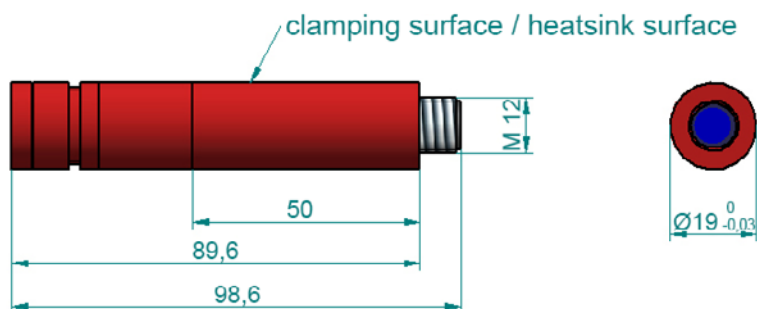
- Heavy duty housing
- Fully IP67 proved
- Dot, line and crosshair projection
- Bright green or bright red laser light
- Wide supply voltage range (4.5/10-30 VDC)
- Wide range of accessories
- Laser class 1, 1M, 2, or 2M (no laser safety eyewear necessary)



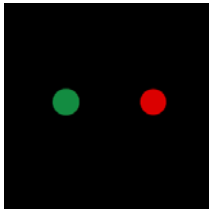

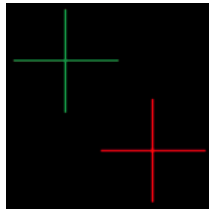
### FLEXPOINT® Laser Modules HD Series with Adjustable Focus



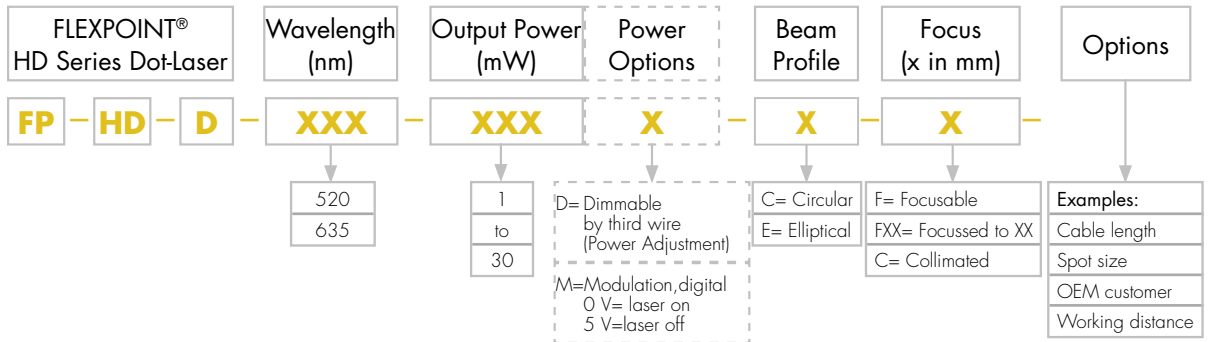
### FLEXPOINT® Laser Modules HD Series for Dot Laser



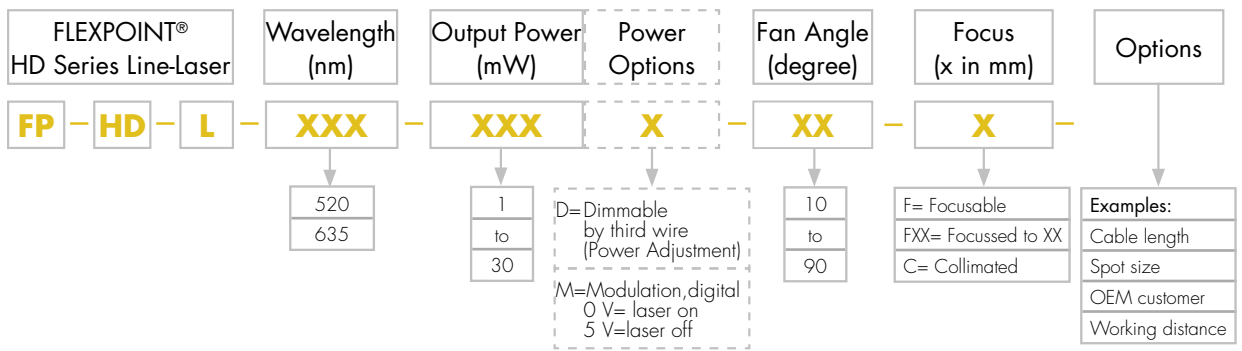
## Specifications

Laser Patterns	Dot laser	Line laser	Crosshair laser
			
Wavelength	520 nm (bright green) / 635 nm (bright red)		
Output power	<1 mW –30 mW		
Output power stability	< 5% (after warm up at 25 °C)		
Modulation (option)	digital, 0 – 10 kHz (active low, higher frequency on request)		
Power adjustment (option)	by control wire, 0 – 5 V (active low)		
Bore sighting	≤ 10 mrad		
Pointing stability	10 µrad/°C		
Focus	adjustable or fixed		
Operating voltage	520 nm: 10 - 30 VDC 635 nm: 4.5 - 30 VDC (reverse voltage protection)		
Current consumption	< 200 mA (depending on output power)		
Operating temperature (housing)	-20 to +50 °C		
Storage temperature	-20 to +60 °C		
Housing material	Aluminum, red anodized, potential free		
Housing dimensions	Ø 19 mm, l = 65 mm with adjustable focus, l = 90 mm for dot lasers		
Protection class	IP 67		
Connector	M12 sensor connector Pin 1: + Pin 2: Modulation (option) Pin 3: GND Pin 4: NC Option: 2 m cable instead of M12 connector		
Accessories	Mount, connecting cable, laser safety eyewear, power supply, battery pack		

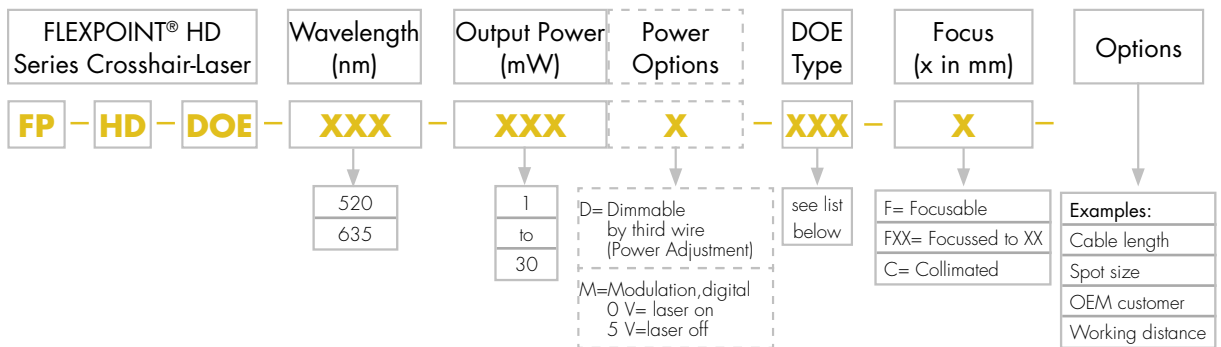
Ordering Code FLEXPOINT® HD Series Dot Lasers



Ordering Code FLEXPOINT® HD Series Line Lasers

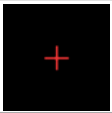
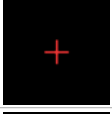
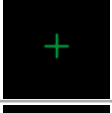
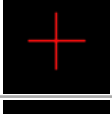

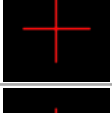
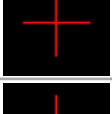
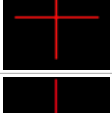
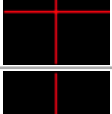
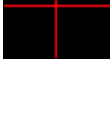


Ordering Code FLEXPOINT® HD Series Crosshair Lasers



Crosshair



DOE Item #	Description	Pattern Size @ 100 mm Distance		Pattern Angles (@ 635 nm)		Image
		a		$\alpha$		
DOE-214	Cross - 2	3.5 mm		2°		
DOE-205	Cross - 5 635 - 660 nm	9 mm		5°		
DOE-239	Cross - 5 520 nm	10.5 mm		5°		
DOE-218	Cross - 15	26 mm		15°		
DOE-245	Cross - 10	17.6 mm		10°		
DOE-247	Cross - 25	44 mm		25°		
DOE-270	Cross - 30	53 mm		30°		
DOE-248	Cross - 37	66 mm		37°		
DOE-249	Cross - 45	83 mm		45°		
DOE-280	Cross - 60	116 mm		60°		

### Accessories

#### LT-PLM-PS-12: Universal power supply for 100-240 Volts AC

This Power Supply can be used worldwide with all types of the FLEXPOINT® HD series. It is not to be used with other equipment than specified.

##### LT-PLM-PS-12 Power Supply

Content of Delivery	Power Supply, 4x plug adapter (Europe, UK, USA, Japan)
Operating Voltage	100-240 VAC / 50-60 Hz
Output Voltage	12 VDC
Output Current	300 mA
Cable Length	1.8 m
Connector	M12 female (Pin 1: + / Pin 3: GND)
Operating Temperature	-20°C to + 60°C



#### LT-PLM-AP-10: Battery pack for mobile applications

This battery pack power supply can be used in mobile applications with all types of the FLEXPOINT® HD series. It is not to be used with other equipment than specified. The battery pack and the Charger are designed for indoor use only.

##### LT-PLM-AP-10 battery pack

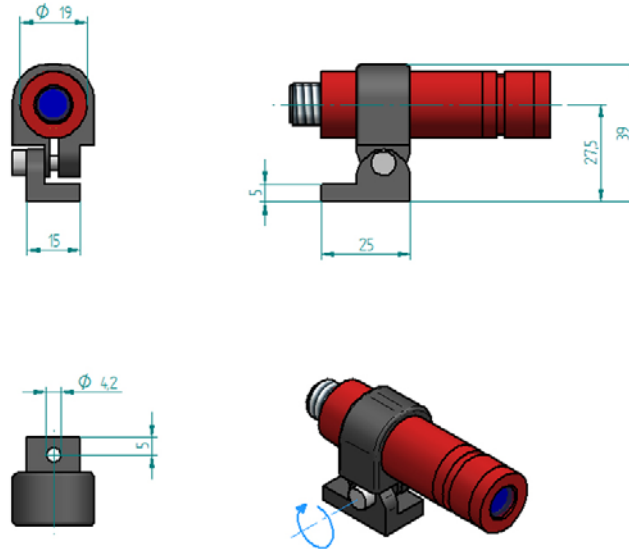
Content of Delivery	battery pack, charger, M12 cable
Input Voltage	100 - 240 VAC / 50 - 60 Hz
Output Voltage	10 VDC
Capacity	800 mAh
Operating Temperature	-20°C to + 60°C
Connector	M12 (Pin 1: + / Pin 3: GND)
Cable Length	1.5 m
Dimensions	80 mm x 75 mm x 30 mm



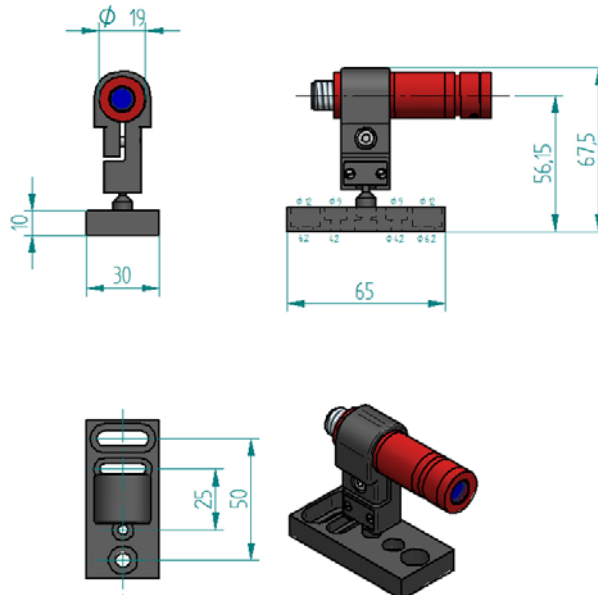
#### M12 Connecting Cables

Available lengths: | 2 m/5 m/10 m

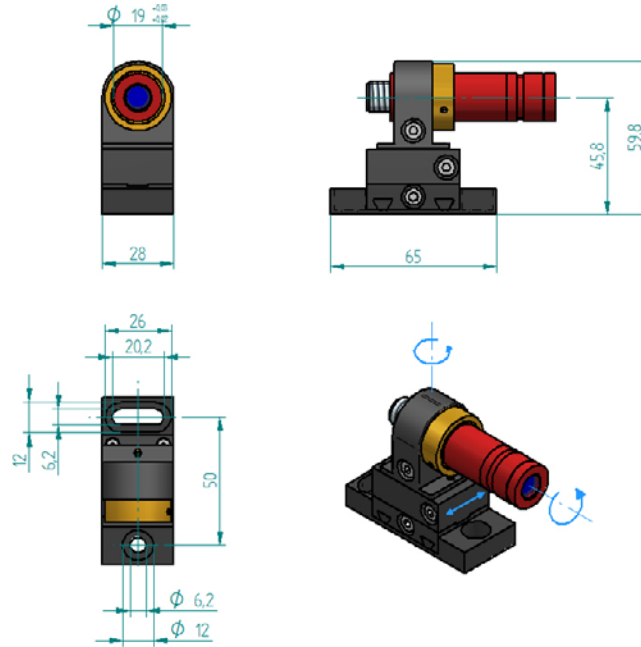
Standard Mount FP-MS-19



Mount with globe joint FP-MG-19



Precision Mount FP-MPT-19



Precision Mount FP-MPS-19

