

POLAM-ELTA Sp. z o.o.

LED DIODES

LED CONTROL LAMPS

www.polamelta.com

e-mail: polamelta@polamelta.com.pl

Jerozolimskie Avenue 202

02-486 Warsaw, POLAND

tel. (+48) 22-837-22-07

fax (+48) 22-207-24-28



COMPLIANCE DECLARATION

NR 2/07/2018

Producer: POLAM-ELTA Sp. z o.o.
Jerozolimskie Avenue 202
02-486 Warsaw

KRS Nr: 0000190790
REGON: 001416903

We declare with a full responsibility that **LED signal lamps $\phi 10$** we manufacture:

LB, LG, LO, LR, LY, LW, LRG, LRY, LGY, LRGB, LRGY (parameters in accordance with catalogue data) comply requirements imposed by:

1. Low Voltage Directive

LVD 2014/35/UE

2. The standard norms (relating to the particular parts of a product):

- PN EN 612 36:2002 Works under voltage – bipolar indexes Nn
- PN-E-90500-1:2001 Wires of polyvinyl chloride insulation 450/750
- PN-80/E-85050 miniature light bulbs of general use
- PN-EN 983:2000 miniature light bulbs

The year of obtaining CE sign: 07

Warszawa 09-07-2018

.....
Place and date of issue

PREZES ZARZĄDU

Ireneusz Tonder

.....
Name, position and signature of authorized person

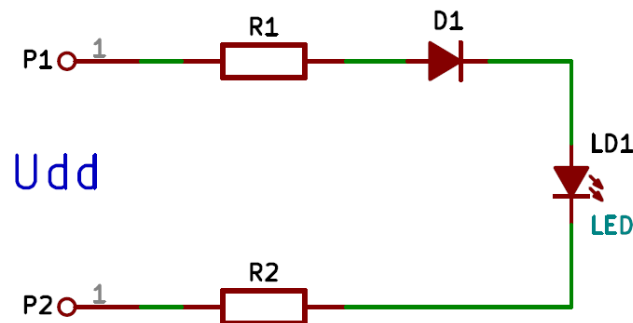
1. Product description:

The declaration is concerned about LED signal lamps produced for a number of voltage ranging 24V-AC - 400V-AC (24V; 30V; 48V; 60V; 110-130V; 230V; 400V) and 24V-DC – 220V-DC (24V; 30V; 48V; 60V; 110-130V; 220V). The lamps are designed for electric accessories use.

2. Technological documentation:

All the signal LED lamps are based on the following circuitry

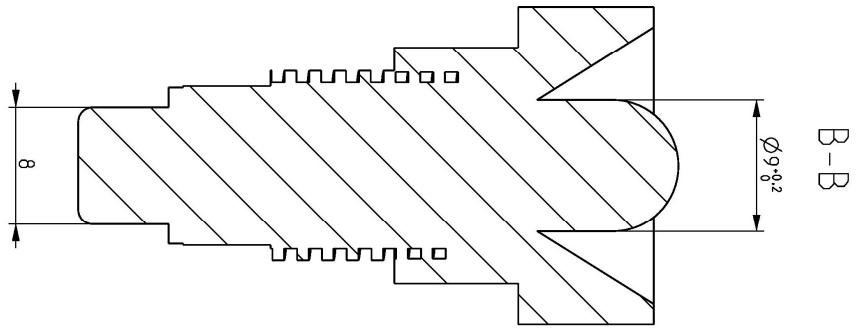
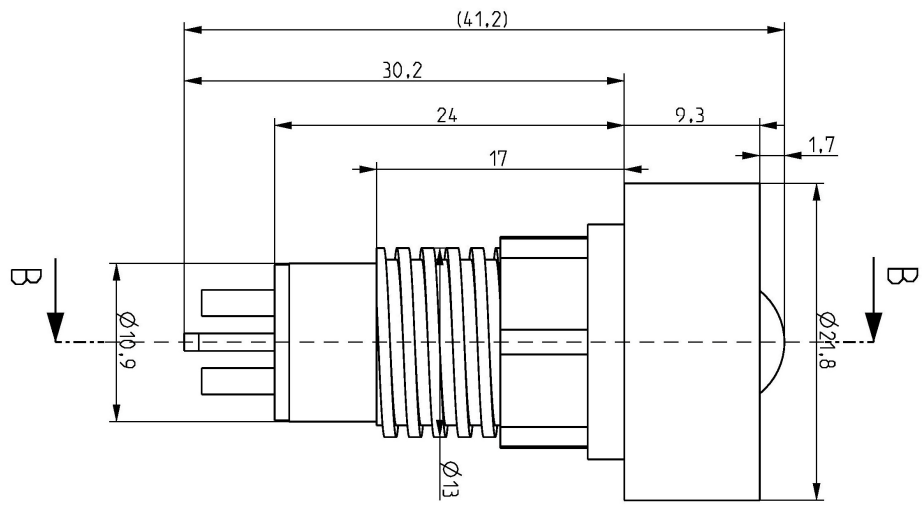
Half-wave rectifier



The elements of casings are made from ABS material. Electric connections are made on glass-epoxy laminate of 1 mm ply. The main wire LGY0,5 is of 0,5 mm² section 450V / 750 V or connectors j 2.8. The wires length in the standard is 30 cm. Any length of wires in the range of 0,05 – 10 m. is also possible on special order. Tightness level lamp: IP40. Ambient temperature: -40°C to +70°C.

For 230 V-AC voltage, power consumption is 0,8 W, for 24V-AC, it is 0,25 W and for 24V-DC, it is 0,5 W.

- signal lamp $\phi 10$



LED CONTROL LAMPS $\phi 10$



Technical parameters of lamps (230V-AC)

color	luminosity (mcd)	wave length (nm)	power
standard red [R] mat	350 - 400	630	0,8 W
super red [R] mat	4500 - 5000	628	0,8 W
green [G] mat	400 - 500	530	0,8 W
yellow [Y] mat	300 - 350	590	0,8 W
orange [O] mat	450 - 500	610	0,8 W
blue [B] mat	130 - 170	470	0,8 W
white [W] mat	1000 - 1200	3000 K	0,8 W

mat : $201/2 = 180^{\circ}$, P = 0,8 W

Technical parameters of lamps (24V-AC/DC)

kolor	światłość (mcd)	długość fali (nm)	moc
standard red [R] mat	1200AC/2250DC	630	0,25 / 0,5 W
super red [R] mat	3500AC/6500DC	628	0,25 / 0,5 W
green [G] mat	900AC/1750DC	530	0,25 / 0,5 W
yellow [Y] mat	900AC/1800DC	590	0,25 / 0,5 W
orange [O] mat	1000AC/2000DC	610	0,25 / 0,5 W
blue [B] mat	200AC / 400DC	470	0,25 / 0,5 W
white [W] mat	3500AC/6800DC	3000 K	0,25 / 0,5 W

mat : $201/2 = 180^{\circ}$, P = 0,25 W / 0,5 W

Update date : 02-01-2019