

0.56"(14.20mm)Dual Digit 7 Segment Display

Features:

- *Ultra segment intensity
- *Wide viewing angle
- *Range of colors
- *Black face White segment
- *RoHS compliant

Available option:

- *Alternative face and segment color
- *Alternative font
- *Cropped terminal pins
- *Available emitting color
- *Low current version

Electro/Optical Characteristics $I_f=20mA$ $T_a=25\text{ C}^\circ$

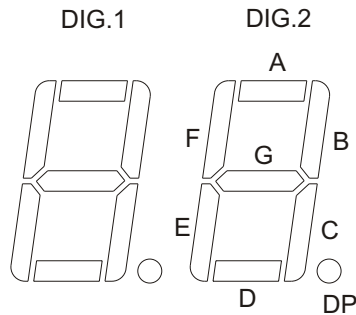
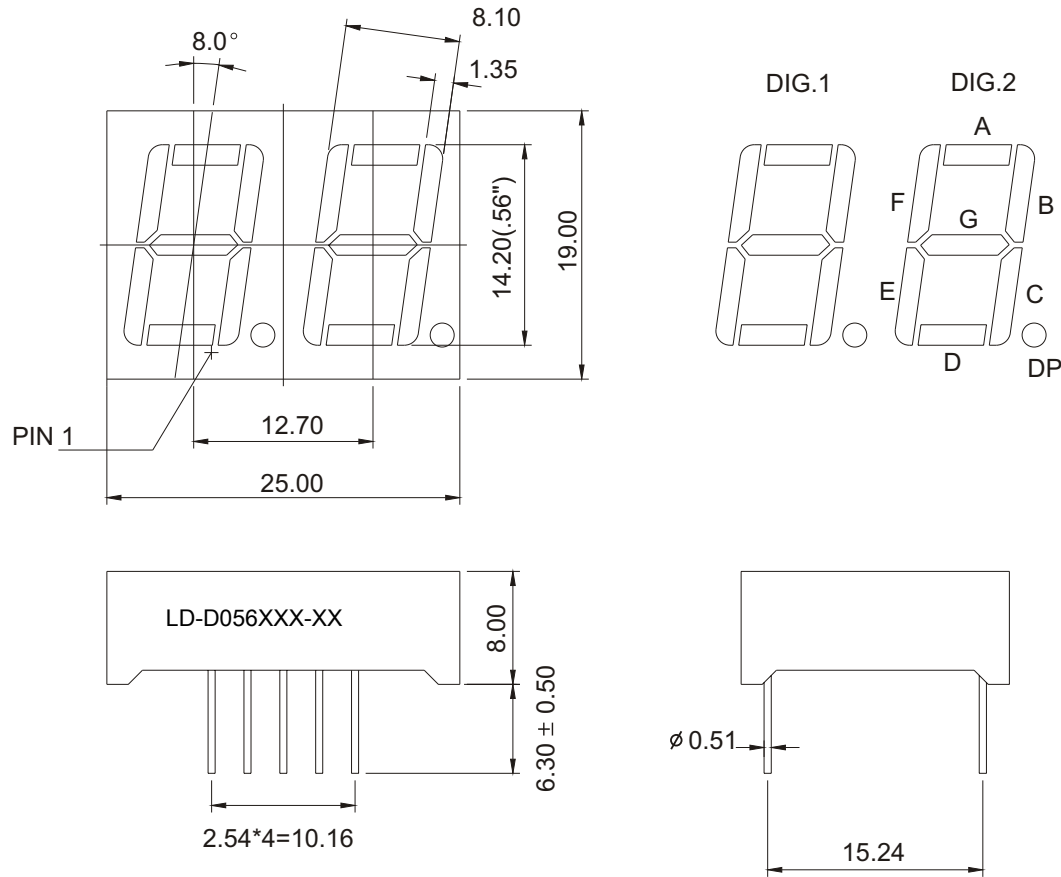
Part Number Common Cathode	Part Number Common Anode	Emitting Color	Peak Wavelength	Forward Voltage V_f /Seg.		Luminous Intensity I_v /seg.	
				Typ.	Max.	Min.	Typ.
LD-D056UR-CC	LD-D056UR-C	GaAlAs/GaAs DDH Ultra Red	660	1.90	2.50	30.00	50.00
LD-D056UPG-CC	LD-D056UPG-C	InGaN/SiC Pure Green	525	3.50	4.00	50.00	80.00
LD-D056UB-CC	LD-D056UB-C	InGaN/SiC Ultra Blue	470	3.50	4.00	40.00	60.00
Units			nm	V		mcd	

Maximum Ratings $T_a=25\text{ C}^\circ$ (Derate above 25 C°)

Characteristic	Test Condition	Symbol	UR	UE	YO	UY	UG	PG	UB	UW	Units
Pulse Forward Current Per Seg.	1/10 duty cycle 0.1ms Pulse width	I_{FP}	100	100	100	100	100	100	100	100	mA
DC Forward Current Per Seg.		I_F	25	30	30	30	30	30	30	30	mA
Reverse Current Per Seg.	$V_R=5V$	I_R	10	10	10	10	10	10	10	10	μA
Power Dissipation		P_D	60*16	65*16	65*16	65*16	75*16	110*16	120*16	120*16	mW
Operating Temperature		T_{OPR}	-40 to +80								$^\circ C$
Storage Temperature		T_{TSG}	-40 to +85								$^\circ C$
Lead soldering temperature	1.60mm from body maximum 3 seconds		260								$^\circ C$

0.56"(14.20mm)Dual Digit 7 Segment Display

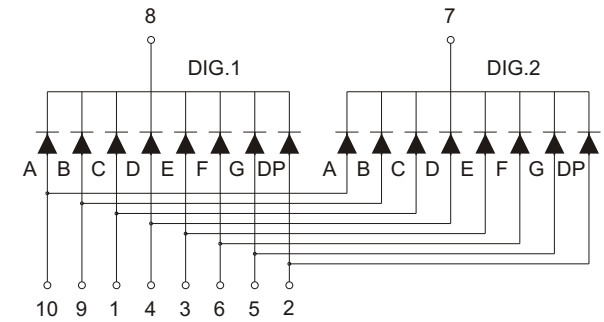
PACKAGE DIMENSION



INTERNAL CIRCUIT DIAGRAM

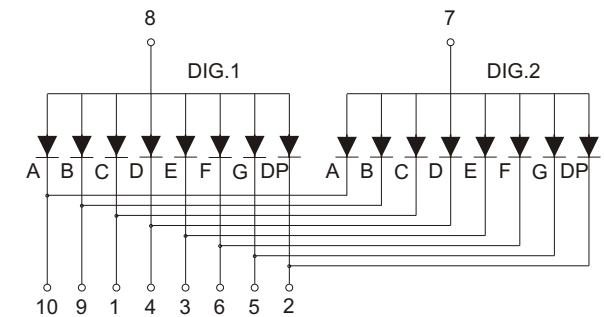
Common Cathode

LD-D056XXX-CC



Common Anode

LD-D056XXX-C



Tolerance $\pm 0.25\text{mm}$ unless stated