

<b>0.56 Inch Four Digit SMD Display</b>
<b>OSK4056A-IX (Common Anode type)</b>
<b>OSK4056A-LX (Common Cathode type)</b>

■ **Features**

- 0.56 Inch Four Digit Display
- Long lifetime operation
- IC compatible
- Low power dissipation
- Gray surface & white segment or dot
- RoHS compliant

■ **Applications**

- Counting device
- Clock

■ **Absolute Maximum Rating (Ta=25°C)**

Item	Symbol	Value		Unit
		W/B/TG	YG/Y/O/R/RA	
DC Forward Current	I <sub>F</sub>	25	25	mA
Pulse Forward Current*	I <sub>FP</sub>	80	80	mA
Reverse Voltage	V <sub>R</sub>	5	5	V
Power Dissipation	P <sub>t</sub>	90	65	mW
Operating Temperature	T <sub>opr</sub>	-30~ +85		°C
Storage Temperature	T <sub>stg</sub>	-40~ +100		°C
Lead Soldering Temperature(1.6mm Below body)	T <sub>sol</sub>	260°C/3sec		°C

\*Pulse width Max.10ms Duty ratio max 1/10

\*Reflow time Max.3seconds

■ **Electrical -Optical Characteristics (Ta=25°C)**

Part Number	Color		V <sub>F</sub> (V)			I <sub>R</sub> (μA)	I <sub>v</sub> (mcd)			λD(nm)		
			Min.	Typ.	Max.	Max.	Min.	Typ.	Max.	Min.	Typ.	Max.
			I <sub>F</sub> =20mA			V <sub>R</sub> =5V	I <sub>F</sub> =10mA			I <sub>F</sub> =20mA		
OSK4056A-IW(LW)	White	W	-	3.1	3.6	100	30	65	100	6000K	8000K	10000K
OSK4056A-IB(LB)	Blue	B	-	3.1	3.6	100	8	16	25-	460	465	475
OSK4056A-IG(LG)	True green	TG	-	3.1	3.6	100	10	24	35	510	520	530
OSK4056A-IYG(LYG)	Yellow green	YG	-	2.1	2.6	100	5	13	20	565	570	575
OSK4056A-IY(LY)	Yellow	Y	-	2.1	2.6	100	8	16	25	585	590	595
OSK4056A-IO(LO)	Orange	O	-	2.1	2.6	100	8	16	25	600	605	610
OSK4056A-IR(LR)	Red	R	-	2.1	2.6	100	5	13	25	625	630	640

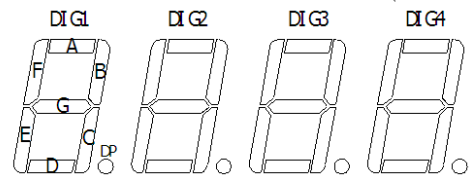
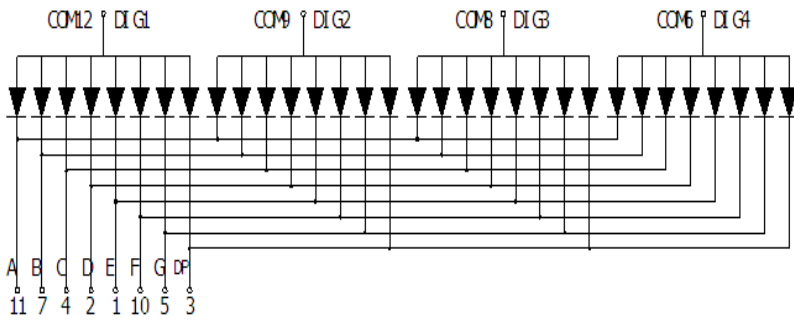
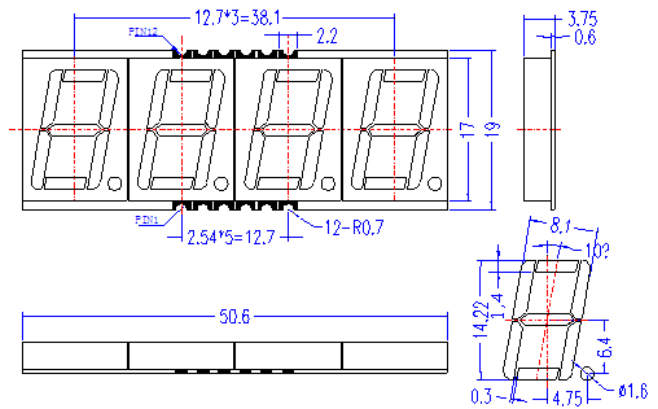
\*1 Tolerance of dominant wavelength is±1nm

\*2 Tolerance of luminous intensity is±15%

■ Package dimensions

**OSK4056A-IX  
(Common Anode type)**

Note:  
1, Unit : mm ( Tolerance: ±0.25mm unless  
otherwise noted)



**OSK4056A-LX  
(Common Cathode type)**

Note:  
1, Unit : mm ( Tolerance: ±0.25mm unless  
otherwise noted)

