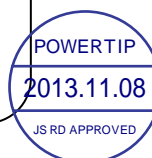


SPECIFICATIONS

CUSTOMER	:	PTC
SAMPLE CODE	:	SG24064LRU-EGAHP5Q
MASS PRODUCTION CODE	:	PG24064LRU-EGAHP5Q
SAMPLE VERSION	:	01
SPECIFICATIONS EDITION	:	003
DRAWING NO. (Ver.)	:	JLMD- PG24064LRU-EGAHP5Q_001
PACKAGING NO. (Ver.)	:	JPKG- PG24064LRU-EGAHP5Q_002

Customer Approved

Date:



Approved	Checked	Designer
閔偉 Ryan	劉進 Lori	李誠 Bruce

- Preliminary specification for design input
- Specification for sample approval

POWER TIP TECH. CORP.

Headquarters:	No.8, 6 th Road, Taichung Industrial Park,	TEL: 886-4-2355-8168	E-mail: sales@powertip.com.tw
	Taichung, Taiwan	FAX: 886-4-2355-8166	Http://www.powertip.com.tw
	台中市 407 工業區六路 8 號		

Contents

1. SPECIFICATIONS

- 1.1 Features
- 1.2 Mechanical Specifications
- 1.3 Absolute Maximum Ratings
- 1.4 DC Electrical Characteristics
- 1.5 Optical Characteristics
- 1.6 Backlight Characteristics

2. MODULE STRUCTURE

- 2.1 Counter Drawing
- 2.2 Interface Pin Description
- 2.3 Timing Characteristics
- 2.4 Display command

3. QUALITY ASSURANCE SYSTEM

- 3.1 Quality Assurance Flow Chart
- 3.2 Inspection Specification

4. RELIABILITY TEST

- 4.1 Reliability Test Condition

5. PRECAUTION RELATING PRODUCT HANDLING

- 5.1 Safety
- 5.2 Handling
- 5.3 Storage
- 5.4 Terms of Warranty

Appendix : LCM Drawing
Packaging

1. SPECIFICATIONS

1.1 Features

Item	Standard Value
Display Type	240 * 64 Dots
LCD Type	STN,Y/G,Positive, Transflective, Extended Temp
Driver Condition	LCD Module : 1/64 Duty, 1/9 Bias
Viewing Direction	6 O'clock
Backlight Type	LED B/L
Weight	159.6g
Interface	-
Controller / Driver IC	SAP1024B
ROHS	THIS PRODUCT CONFORMS THE ROHS OF PTC Detail information please refer web site : http://www.powertip.com.tw/news.php?area_id_view=1085560481/

1.2 Mechanical Specifications

Item	Standard Value	Unit
Outline Dimension	180.0 (W) * 65.0 (L) * 13.1 (H)(MAX)	mm
Viewing Area	132.6 (W) * 39.0 (L)	mm
Active Area	127.16(W) * 33.88 (L)	mm
Dot Size	0.49 (W) * 0.49 (H)	mm
Dot Pitch	0.53 (W) * 0.53 (H)	mm

Note : For detailed information please refer to LCM drawing

1.3 Absolute Maximum Ratings

Item	Symbol	Condition	Min.	Max.	Unit
Power Supply Voltage	VDD	-	-0.3	7	V
Input Voltage	VIN	-	-0.3	VDD+0.3	V
Operating Temperature	T _{OP}	-	-20	+70	°C
Storage Temperature	T _{ST}	-	-30	+80	°C
Storage Humidity	H _D	Ta < 60 °C	-	90	%RH

1.4 DC Electrical Characteristics

VDD = 5.0±0.5V, VSS = 0V, Ta = 25°C

Item	Symbol	Condition	Min.	Typ.	Max.	Unit
Logic Supply Voltage	VDD	-	2.7	5.0	5.5	V
“H” Input Voltage	V _{IH}	-	VDD-2.2	-	VDD	V
“L” Input Voltage	V _{IL}	-	0	-	0.8	V
“H” Output Voltage	V _{OH}	-	VDD-0.3	-	VDD	V
“L” Output Voltage	V _{OL}	-	0	-	0.3	V
Supply Current	IDD	VDD= 5.0V; V _{OP} = 11.6V; Pattern= Text *1	-	17	-	mA
		VDD= 5.0V; V _{OP} = 11.6V; Pattern= Horizontal line *1	-	19.3	30	
LCM Driver Voltage	V _{op}	-20°C	12.0	12.3	12.6	V
		+25°C	11.4	11.6	11.8	
		+70°C	10.0	10.3	10.6	

Note : *1. The Maximum current display.

*2. The V_{OP} test point is VDD – V_O.

1.5 Optical Characteristics

LCD Panel : 1/64Duty , 1/9Bias, $V_{LCD}=11.6V$, $T_a =25^{\circ}C$

Item	Symbol	Conditions	Min.	Typ.	Max.	Unit	Reference	
Response Time	Rise	tr	-	78	117	ms	Note2	
	Fall	tf	-	194	291			
Viewing angle range	Top	$\Theta Y+$	$C \geq 2.0$, $\varnothing = 270^{\circ}$	-	40	-	Deg.	Notes 1
	Bottom	$\Theta Y-$		-	40	-		
	Left	$\Theta X-$		-	45	-		
	Right	$\Theta X+$		-	45	-		
Contrast Ratio	C	$\theta = 5^{\circ}$, $\varnothing = 270^{\circ}$	-	3.5	-	-	Note 3	
Average Brightness (with LCD) *1	IV	IF= 140mA	4	6	-	cd/m ²	Note 4	
Uniformity *1	ΔB		70	-	-	%		

Note 4 :

1 : $\Delta B = B(\min) / B(\max) * 100\%$

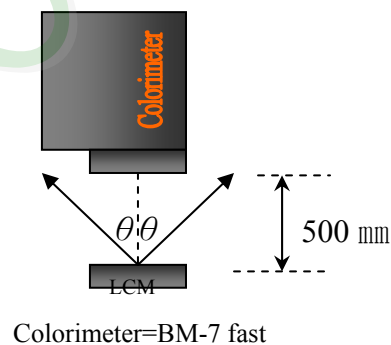
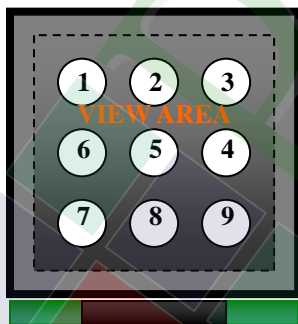
2 : Measurement Condition for Optical Characteristics:

a : Environment: $25^{\circ}C \pm 5^{\circ}C$ / $60 \pm 20\%R.H$, no wind , dark room below 10 Lux at typical lamp current and typical operating frequency.

b : Measurement Distance: 500 ± 50 mm , ($\theta = 0^{\circ}$)

c : Equipment: TOPCON BM-7 fast , (field 1°) , after 10 minutes operation.

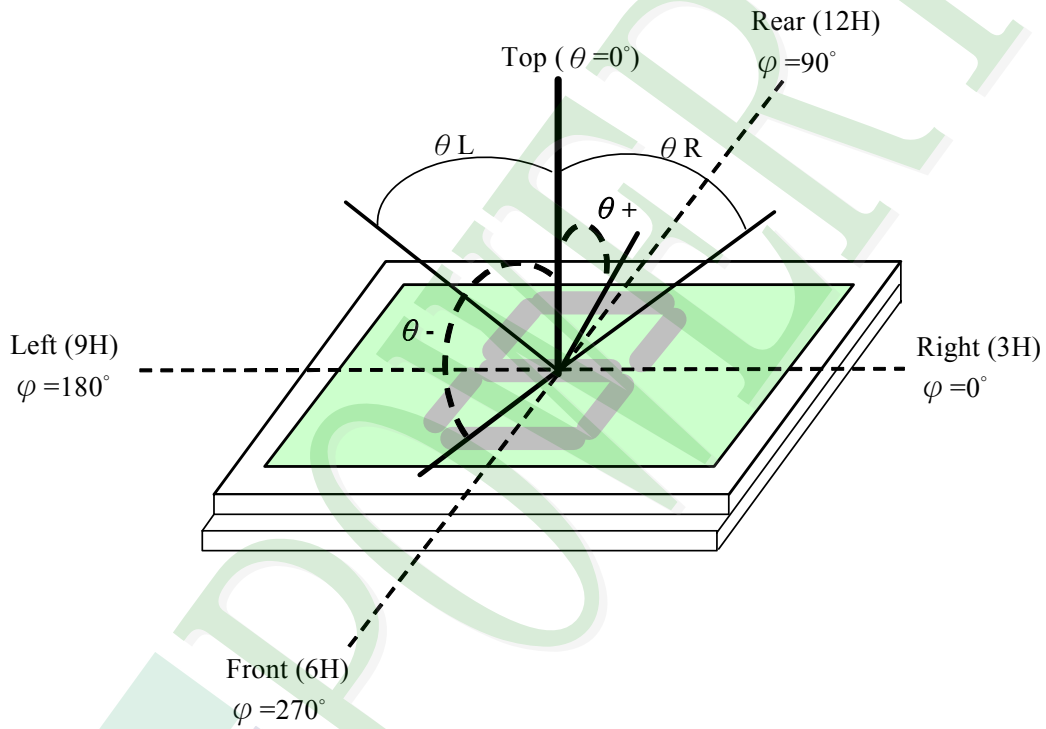
d : The uncertainty of the C.I.E coordinate measurement ± 0.01 , Average Brightness $\pm 4\%$



Note 1.

Optical characteristics-2

Viewing angle

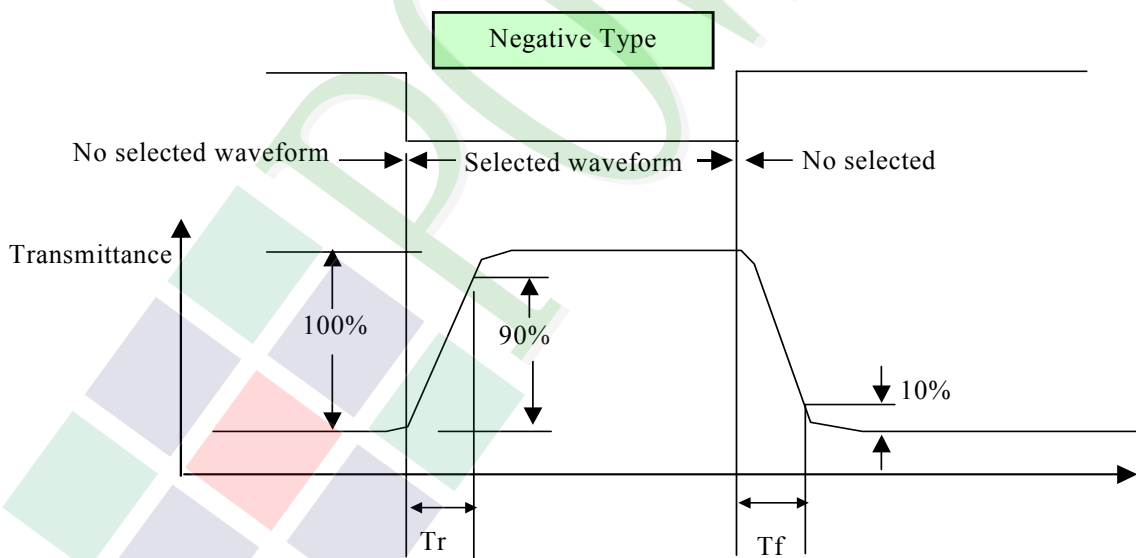
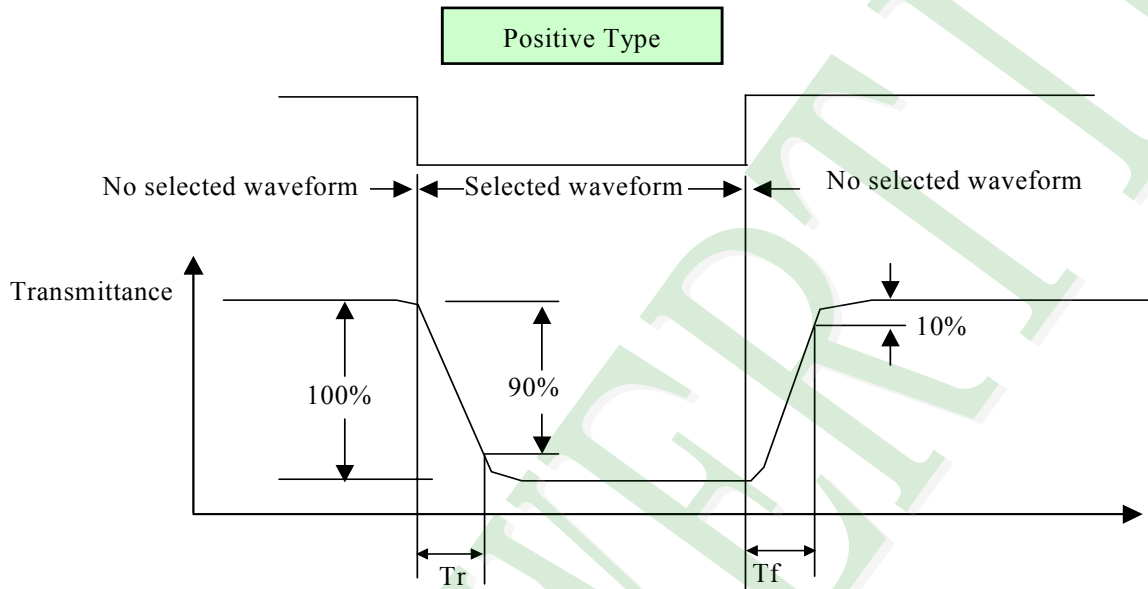


Viewing angle

Note 2.

Optical characteristics-3

Fig.2 Definition of response time



Electrical characteristics-2

※2 Drive waveform

V_{op} : Drive voltage

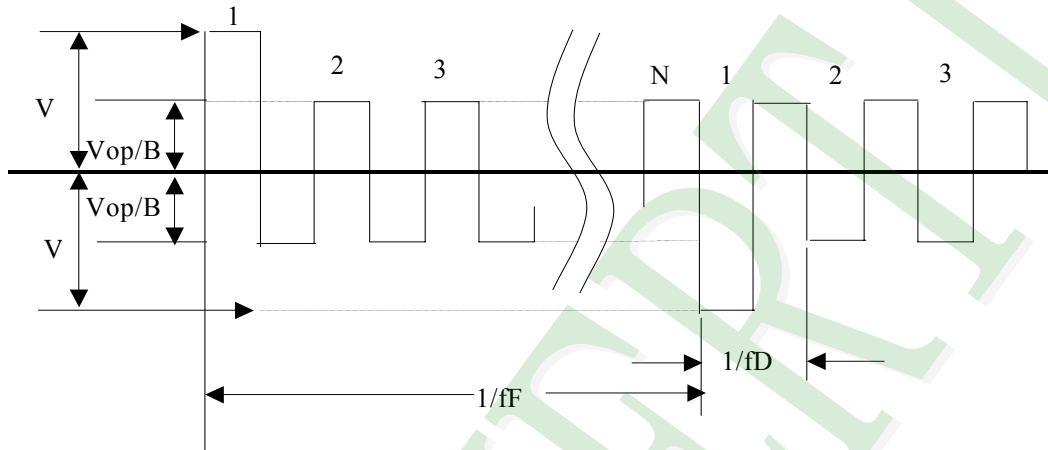
$1/B$: Bias

N : Duty

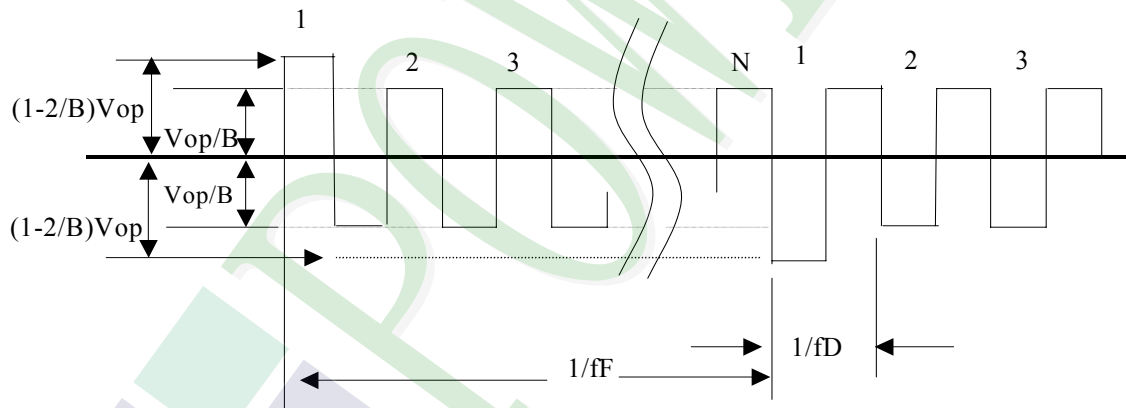
f_F : Frame frequency

f_D : Drive frequency

(1) Selected waveform



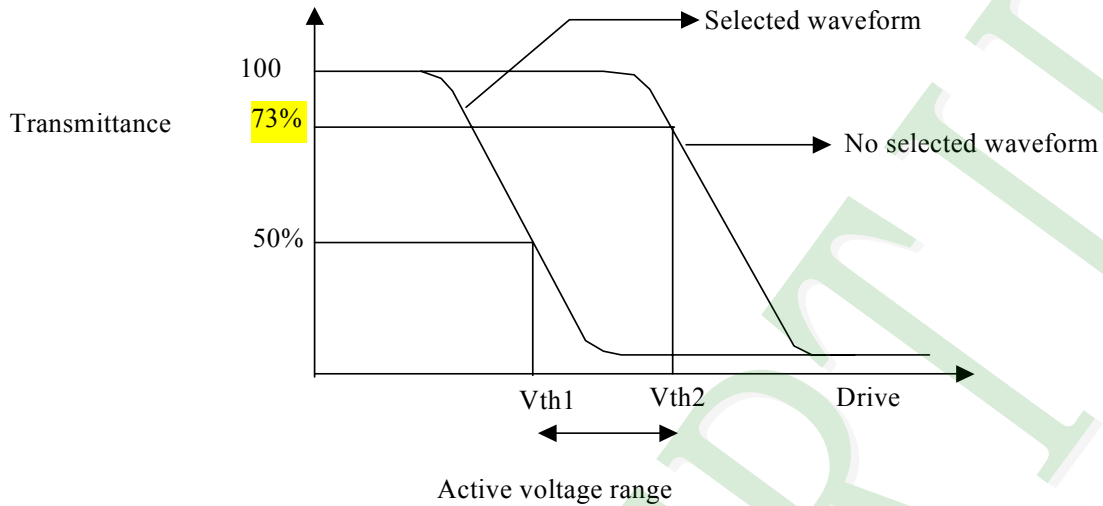
(2) Non- Selected wave form



Note:

Frame frequency is defined as follows: Common side supply voltage peak - to - peak / 2 = 1 period

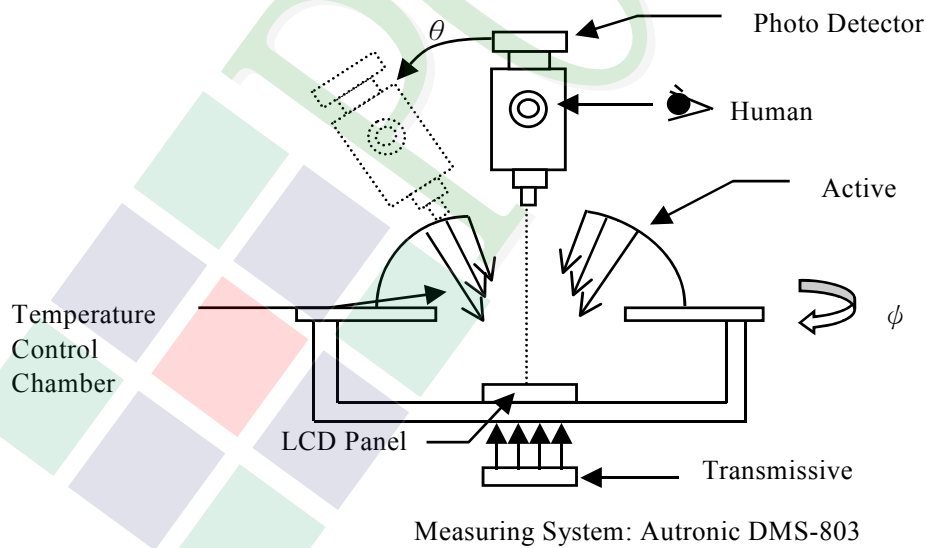
Note 3. : Definition of Vth



	Vth1	Vth2
View direction	10°	40°
Drive waveform	(Selected waveform)	(No selected waveform)
Transmittance	50%	73%

※1 Contrast ratio
= (Brightness in OFF state) / (Brightness in ON state)

Outline of Electro-Optical Characteristics Measuring System



1.6 Backlight Characteristics

Maximum Ratings

Item	Symbol	Conditions	Min.	Max.	Unit
Forward Current	IF	Ta =25°C		350	mA
Reverse Voltage	VR	Ta =25°C		10	V
Power Dissipation	PO	Ta =25°C		1.61	W

Electrical / Optical Characteristics

Item	Symbol	Conditions	Min.	Typ.	Max.	Unit
Forward Voltage	VF	IF= 140mA	-	4.2	4.6	V
Reverse Current	IR	VR=10V	-	-	0.14	mA
Wavelength	λ P	IF=140mA	569	-	576	nm
Average Brightness	IV	IF=140mA	24	30	-	cd/m ²
Color	Yellow-green					

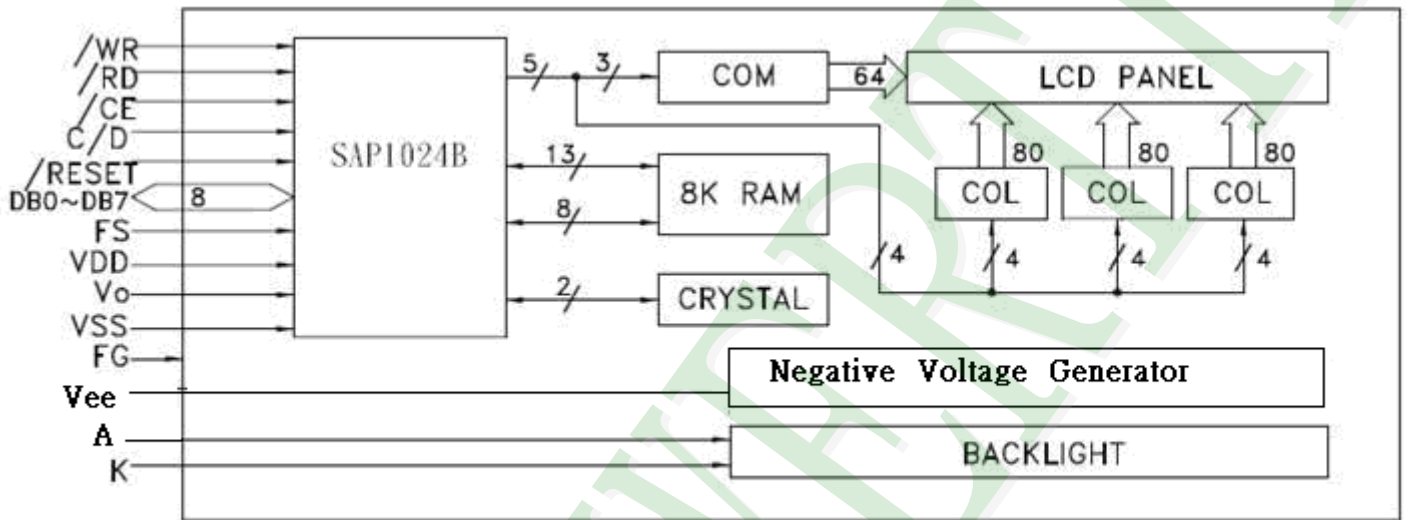
2. MODULE STRUCTURE

2.1 Counter Drawing

2.1.1 LCM Mechanical Diagram

* See Appendix

2.1.2 Block Diagram

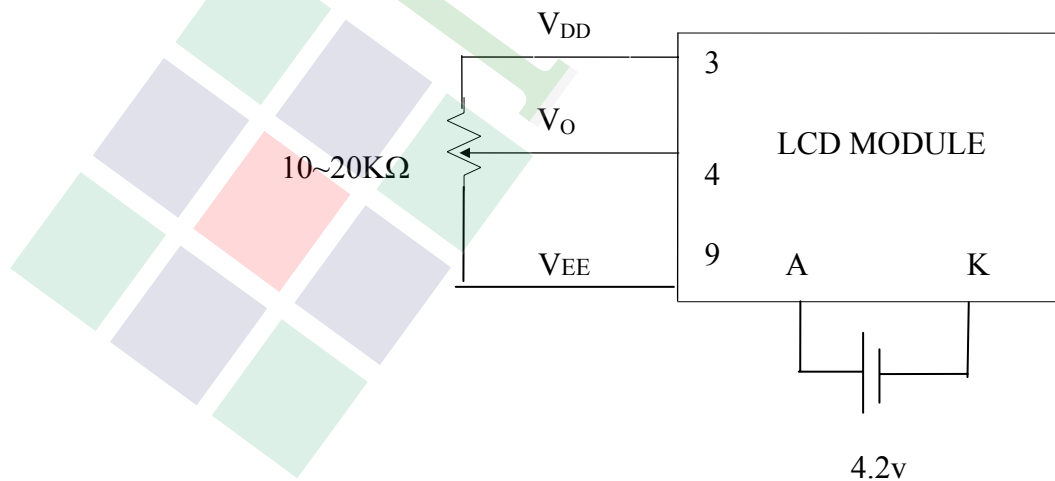


2.2 Interface Pin Description

Pin No.	Symbol	Signal Description
1	FG	Frame ground(connect to metal bezel)
2	V _{SS}	Power Supply (V _{SS} = 0)
3	V _{DD}	Power Supply (V _{DD} > V _{SS})
4	V _O	Operating Voltage for LCD.
5	/WR	Data write(write data to the module at “L”)
6	/RD	Data read(read data from the module at “L”)
7	/CE	Chip enable for the module(active at “L”)
8	C/D	/WR=“L”,C/D=“H”:command write,C/D=“L”:data write /RD =“L”,C/D=“H”:command read,C/D=“L”:data read
9	VEE	Power supply for LCD drive(should be variable)
10	/RESET	Controller reset(module reset)
11	DB0	Data bus
12	DB1	Data bus
13	DB2	Data bus
14	DB3	Data bus
15	DB4	Data bus
16	DB5	Data bus
17	DB6	Data bus
18	DB7	Data bus
19	FS	Font select:connect to V _{DD} :6×8 Dots font connect to V _{SS} :8×8 Dots font
20	N/A	Not connection

2.2.1 Application Notes:

Contrast Adjust



2.2.2 Refer Initial code

```
void int_sap1024()
{
write_data(0x00);           //set text home address
write_data(0x00);
write_com(0x40);

write_data(0x1e);         //set text home area
write_data(0x00);
write_com(0x41);

write_data(0x80);         //set graphic home address
write_data(0x07);
write_com(0x42);

write_data(0x1e);         //set graphic home area
write_data(0x00);
write_com(0x43);

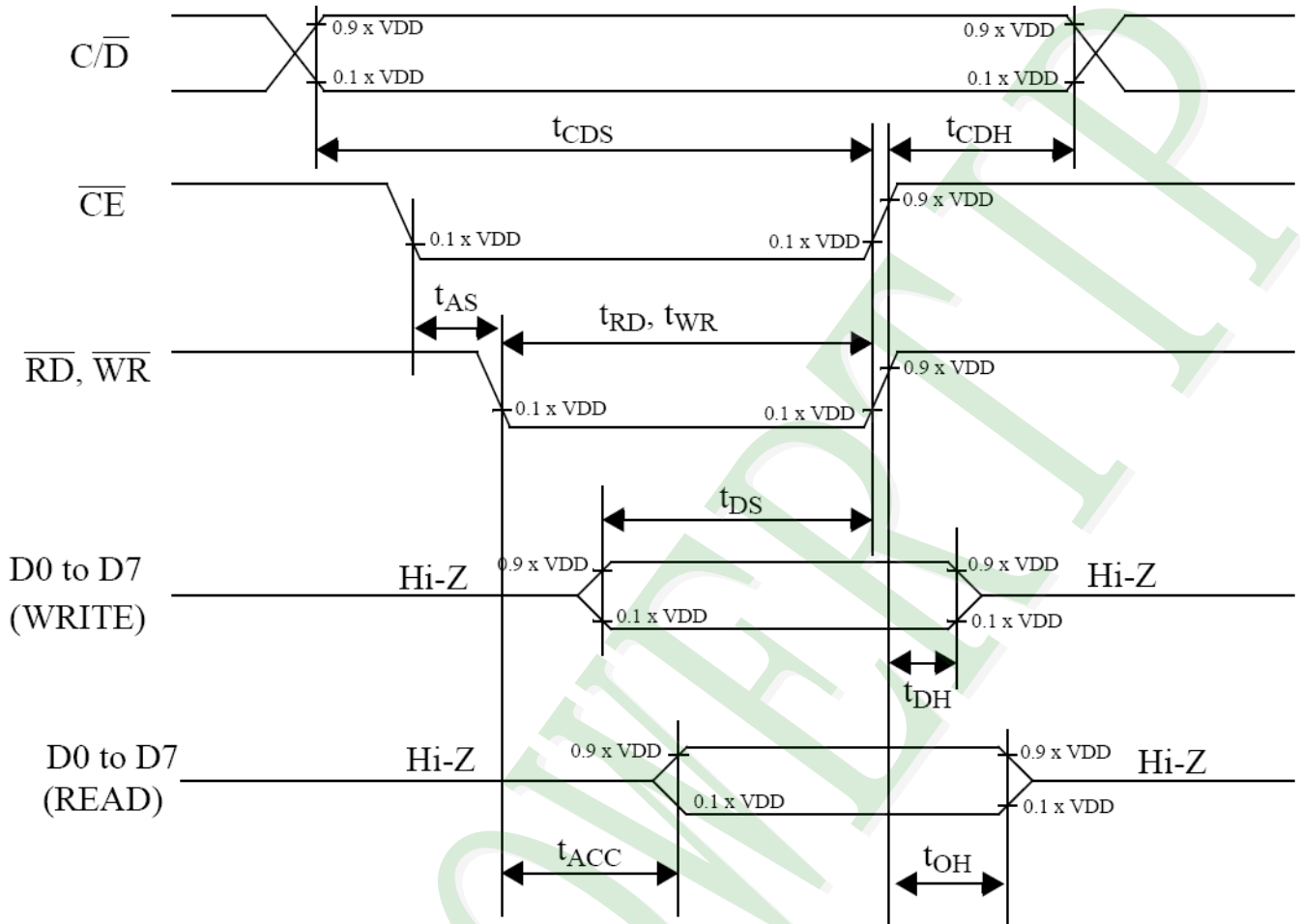
write_data(0x00);         // set offset register
write_data(0x00);
write_com(0x22);

write_com(0xa7);          //select 8-line cursor

write_com(0x81);          //select internal CG ROM mode

write_com(0x90);          //set text off, graphic off, cursor off, blink off
}
```

2.3 Timing Characteristics



VDD=5.0V ± 0.5V, VSS=0, Ta=25°C

symbol	parameter	MIN.	MAX.	test conditons	Unit
t_{CDS}	C/ \bar{D} set-up time	100			ns
t_{CDH}	C/ \bar{D} hold time	10			ns
t_{RD}, t_{WR}	$\overline{RD}, \overline{WR}$ pulse width	80			ns
t_{AS}	Address set-up time	0			ns
t_{AH}	Address hold time	0			ns
t_{DS}	Data set-up time	80			ns
t_{DH}	Data hold time	40		Note	ns
t_{ACC}	Access time		150	Note	ns
t_{OH}	Output hold time	10	50	Note	ns

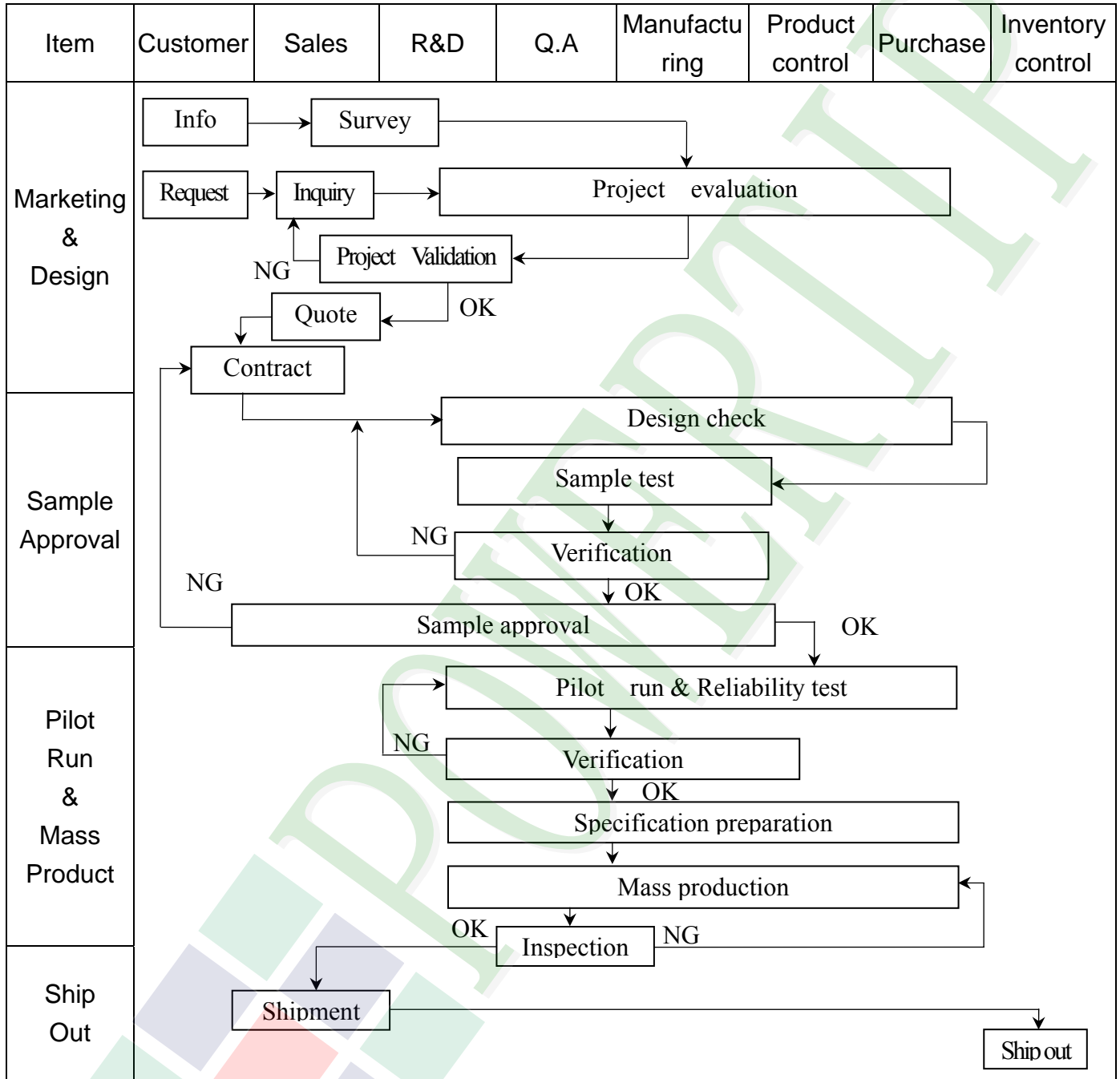
2.4 Display command

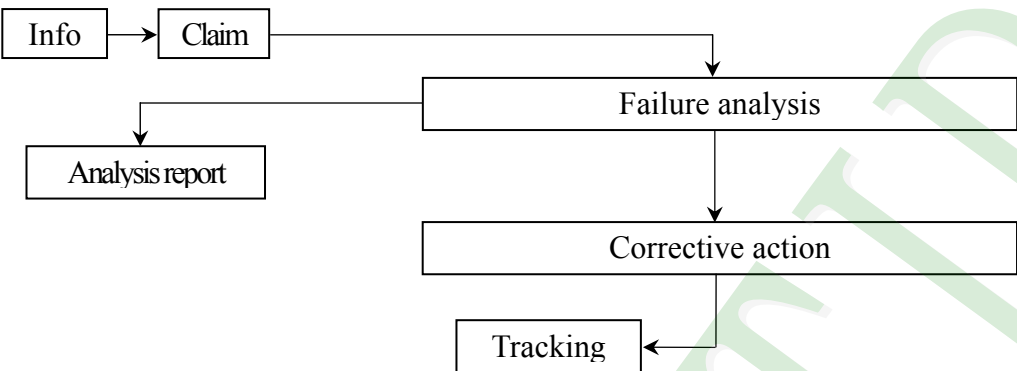
COMMAND	CODE	OPERAND 1	OPERAND 2	FUNCTION
Register Setting	0010 0001	X address	Y address	Set cursor pointer
	0010 0010	Data	00H	Set offset register
	0010 0100	Low address	High address	Set address pointer
Set Control Word	0100 0000	Low address	High address	Set text home address
	0100 0001	Columns	00H	Set text area
	0100 0010	Low address	High address	Set graphic home address
	0100 0011	Columns	00H	Set graphic area
Mode Set	1000 x000			OR mode
	1000 x001			EXOR mode
	1000 x011			AND mode
	1000 x100			Text Attribute mode
	1000 0xxx			Internal CG ROM mode
	1000 1xxx			External CG RAM mode
Display mode	1001 0000			Display OFF.
	1001 xx10			Cursor ON, blink OFF.
	1001 xx11			Cursor ON, blink ON.
	1001 01xx			Text ON, graphic OFF.
	1001 10xx			Text OFF, graphic ON.
	1001 11xx			Text ON, graphic ON.
Cursor Pattern Select	1010 0000			Select one-line cursor.
	1010 0001			Select two-line cursor.
	1010 0010			Select three-line cursor.
	1010 0011			Select four-line cursor.
	1010 0100			Select five-line cursor.
	1010 0101			Select six-line cursor.
	1010 0110			Select seven-line cursor.
	1010 0111			Select eight-line cursor.
Data Auto Read/Write	1011 0000			Select Data Auto Write
	1011 0001			Select Data Auto Read
	1011 0010			Reset Auto Read/Write

COMMAND	CODE	OPERAND 1	OPERAND 2	FUNCTION
Data READ / WRITE	1100 0000	Data		Data Write and increment Address Pointer
	1100 0001			Data Read and increment Address Pointer
	1100 0010	Data		Data Write and decrement Address Pointer.
	1100 0011			Data Read and decrement Address Pointer
	1100 0100	Data		Data Write and Keep Address Pointer
	1100 0101			Data Read and Keep Address Pointer
Screen Peek	1110 0000			Screen peek
Screen Copy	1110 1000			Screen copy
Bit Set/Reset	1111 0xxxx			Bit Reset
	1111 1xxxx			Bit Set
	1111 x000			Bit 0
	1111 x001			Bit 1
	1111 x010			Bit 2
	1111 x011			Bit 3
	1111 x100			Bit 4
	1111 x101			Bit 5
	1111 x110			Bit 6
	1111 x111			Bit 7

3. QUALITY ASSURANCE SYSTEM

3.1 Quality Assurance Flow Chart



Item	Customer	Sales	R&D	Q.A	Manufacturing	Product control	Purchase	Inventory control
Sales Service	 <pre> graph TD Info[Info] --> Claim[Claim] Claim --> Failure[Failure analysis] Failure --> Corrective[Corrective action] Failure --> Report[Analysis report] Corrective --> Tracking[Tracking] </pre>							
Q.A Activity	1. ISO 9001 Maintenance Activities 3. Equipment calibration 5. Standardization Management				2. Process improvement proposal 4. Education And Training Activities			

3.2 Inspection Specification

◆ Scope : The document shall be applied to LCD Module for Monotype and Color STN(Ver. B01).

◆ Inspection Standard : MIL-STD-105E Table Normal Inspection Single Sampling Level II .

◆ Equipment : Gauge 、 MIL-STD 、 Powertip Tester 、 Sample

◆ Defect Level : Major Defect AQL : 0.4 ; Minor Defect : AQL : 1.5 .

◆ OUT Going Defect Level : Sampling .

◆ Manner of appearance test :

(1). The test be under 20W×2 fluorescent light ' and distance of view must be at 30 cm.

(2). Standard of inspection : (Unit : mm)

(3). The test direction is base on about around 45° of vertical line. (Fig. 1)

(4). Definition of area . (Fig. 2)

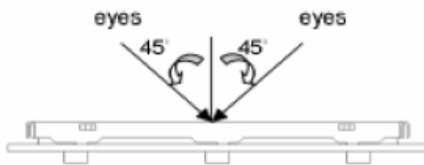


Fig.1

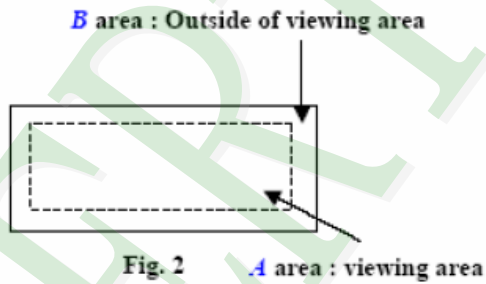
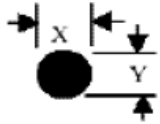
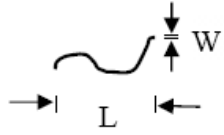
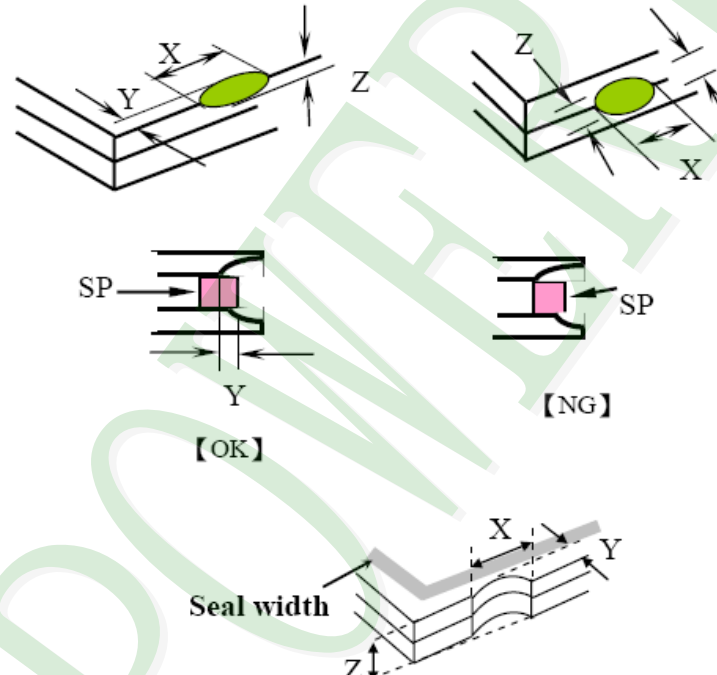


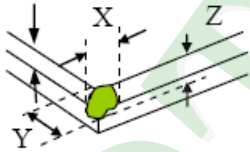
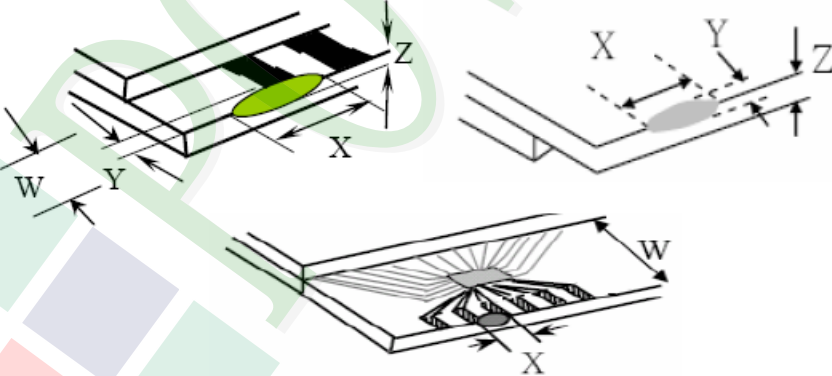
Fig. 2

◆ Specification:

NO	Item	Criterion	Level
01	Product condition	1. 1 The part number is inconsistent with work order of Production.	Major
		1. 2 Mixed production types.	Major
		1. 3 Assembled in inverse direction.	Major
02	Quantity	2. 1 The quantity is inconsistent with work order of production.	Major
03	Outline dimension	3. 1 Product dimension and structure must conform to Structure diagram.	Major
04	Electrical Testing	4. 1 Missing line character and icon.	Major
		4. 2 No function or no display.	Major
		4. 3 Output data is error.	Major
		4. 4 LCD viewing angle defect.	Major
		4. 5 Current consumption exceeds product specifications.	Major

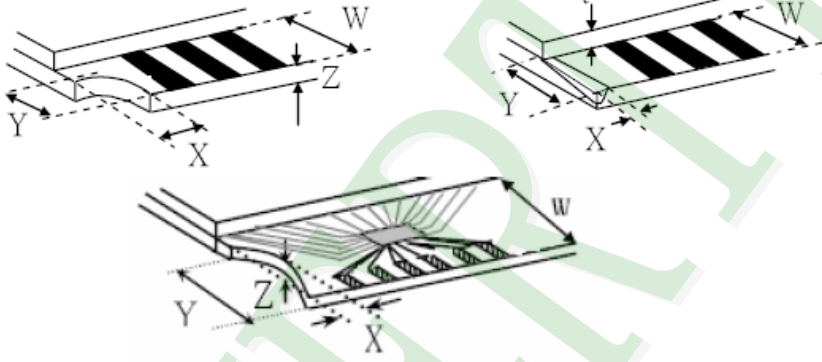
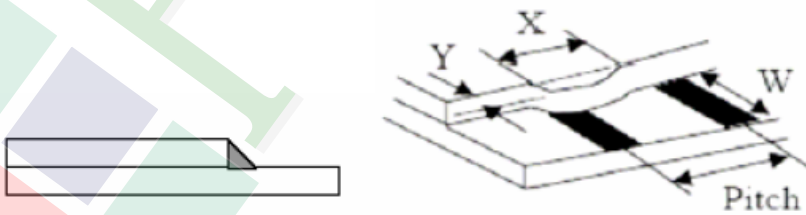
NO	Item	Criterion	Level																																					
05	<p>Black or white dot、scratch、contamination</p> <p>Round type</p>  <p>$\Phi = (x+y)/2$</p> <p>Line type</p> 	<p>5. 1 Round type:</p> <p>5. 1. 1 display only :</p> <ul style="list-style-type: none"> • White and black spots on display ≤ 0.30 mm , no more than 4 white or black spots present. • Densely spaced : NO more than two spots or lines within 3 mm. <p>5. 1. 2 Non-display :</p> <table border="1"> <thead> <tr> <th rowspan="2">Dimension (diameter : Φ)</th> <th colspan="2">Acceptance (Q'ty)</th> </tr> <tr> <th>A area</th> <th>B area</th> </tr> </thead> <tbody> <tr> <td>$\Phi \leq 0.10$</td> <td colspan="2">Accept no dense</td> </tr> <tr> <td>$0.10 < \Phi \leq 0.20$</td> <td>3</td> <td rowspan="2">Ignore</td> </tr> <tr> <td>$0.20 < \Phi \leq 0.30$</td> <td>2</td> </tr> <tr> <td>Total quantity</td> <td colspan="2">4</td> </tr> </tbody> </table> <p>5. 1. 3 Line type:</p> <table border="1"> <thead> <tr> <th colspan="2">Dimension</th> <th colspan="2">Acceptance (Q'ty)</th> </tr> <tr> <th>Length (L)</th> <th>Width (W)</th> <th>A area</th> <th>B area</th> </tr> </thead> <tbody> <tr> <td>---</td> <td>$W \leq 0.03$</td> <td>Accept no dense</td> <td rowspan="3">Ignore</td> </tr> <tr> <td>$L \leq 3.0$</td> <td>$0.03 < W \leq 0.05$</td> <td rowspan="2">4</td> </tr> <tr> <td>$L \leq 2.5$</td> <td>$0.05 < W \leq 0.075$</td> </tr> <tr> <td>---</td> <td>$W > 0.075$</td> <td colspan="2">As round type</td> </tr> </tbody> </table>	Dimension (diameter : Φ)	Acceptance (Q'ty)		A area	B area	$\Phi \leq 0.10$	Accept no dense		$0.10 < \Phi \leq 0.20$	3	Ignore	$0.20 < \Phi \leq 0.30$	2	Total quantity	4		Dimension		Acceptance (Q'ty)		Length (L)	Width (W)	A area	B area	---	$W \leq 0.03$	Accept no dense	Ignore	$L \leq 3.0$	$0.03 < W \leq 0.05$	4	$L \leq 2.5$	$0.05 < W \leq 0.075$	---	$W > 0.075$	As round type		Minor
Dimension (diameter : Φ)	Acceptance (Q'ty)																																							
	A area	B area																																						
$\Phi \leq 0.10$	Accept no dense																																							
$0.10 < \Phi \leq 0.20$	3	Ignore																																						
$0.20 < \Phi \leq 0.30$	2																																							
Total quantity	4																																							
Dimension		Acceptance (Q'ty)																																						
Length (L)	Width (W)	A area	B area																																					
---	$W \leq 0.03$	Accept no dense	Ignore																																					
$L \leq 3.0$	$0.03 < W \leq 0.05$	4																																						
$L \leq 2.5$	$0.05 < W \leq 0.075$																																							
---	$W > 0.075$	As round type																																						
06	Polarizer Bubble	<table border="1"> <thead> <tr> <th rowspan="2">Dimension (diameter : Φ)</th> <th colspan="2">Acceptance (Q'ty)</th> </tr> <tr> <th>A area</th> <th>B area</th> </tr> </thead> <tbody> <tr> <td>$\Phi \leq 0.20$</td> <td colspan="2">Accept no dense</td> </tr> <tr> <td>$0.20 < \Phi \leq 0.50$</td> <td>3</td> <td rowspan="3">Ignore</td> </tr> <tr> <td>$0.50 < \Phi \leq 1.00$</td> <td>2</td> </tr> <tr> <td>$\Phi > 1.00$</td> <td>0</td> </tr> <tr> <td>Total quantity</td> <td colspan="2">4</td> </tr> </tbody> </table>	Dimension (diameter : Φ)	Acceptance (Q'ty)		A area	B area	$\Phi \leq 0.20$	Accept no dense		$0.20 < \Phi \leq 0.50$	3	Ignore	$0.50 < \Phi \leq 1.00$	2	$\Phi > 1.00$	0	Total quantity	4		Minor																			
Dimension (diameter : Φ)	Acceptance (Q'ty)																																							
	A area	B area																																						
$\Phi \leq 0.20$	Accept no dense																																							
$0.20 < \Phi \leq 0.50$	3	Ignore																																						
$0.50 < \Phi \leq 1.00$	2																																							
$\Phi > 1.00$	0																																							
Total quantity	4																																							

NO	Item	Criterion	Level						
07	The crack of glass	<p>Symbols :</p> <p>X : The length of crack Z : The thickness of crack t : The thickness of glass</p> <p>Y : The width of crack. W : terminal length a : LCD side length</p>	Minor						
		<p>7.1 General glass chip :</p> <p>7.1.1 Chip on panel surface and crack between panels:</p>  <table border="1" data-bbox="502 1500 1300 1792"> <thead> <tr> <th>X</th> <th>Y</th> <th>Z</th> </tr> </thead> <tbody> <tr> <td>$\leq a$</td> <td>Crack can't enter viewing area</td> <td>$\leq 1/2 t$</td> </tr> <tr> <td>$\leq a$</td> <td>Crack can't exceed the half of SP width.</td> <td>$1/2 t < Z \leq 2 t$</td> </tr> </tbody> </table>		X	Y	Z	$\leq a$	Crack can't enter viewing area	$\leq 1/2 t$
X	Y	Z							
$\leq a$	Crack can't enter viewing area	$\leq 1/2 t$							
$\leq a$	Crack can't exceed the half of SP width.	$1/2 t < Z \leq 2 t$							

NO	Item	Criterion	Level									
07	The crack of glass	<p>Symbols :</p> <p>X : The length of crack Y : The width of crack. Z : The thickness of crack W : terminal length t : The thickness of glass a : LCD side length</p> <hr/> <p>7.1.2 Corner crack :</p>  <table border="1" data-bbox="501 819 1316 1111"> <thead> <tr> <th>X</th> <th>Y</th> <th>Z</th> </tr> </thead> <tbody> <tr> <td>$\leq 1/5 a$</td> <td>Crack can't enter viewing area</td> <td>$Z \leq 1/2 t$</td> </tr> <tr> <td>$\leq 1/5 a$</td> <td>Crack can't exceed the half of SP width.</td> <td>$1/2 t < Z \leq 2 t$</td> </tr> </tbody> </table>	X	Y	Z	$\leq 1/5 a$	Crack can't enter viewing area	$Z \leq 1/2 t$	$\leq 1/5 a$	Crack can't exceed the half of SP width.	$1/2 t < Z \leq 2 t$	Minor
		X	Y	Z								
$\leq 1/5 a$	Crack can't enter viewing area	$Z \leq 1/2 t$										
$\leq 1/5 a$	Crack can't exceed the half of SP width.	$1/2 t < Z \leq 2 t$										
<p>7.2 Protrusion over terminal :</p> <p>7.2.1 Chip on electrode pad :</p>  <table border="1" data-bbox="467 1693 1254 1865"> <thead> <tr> <th></th> <th>X</th> <th>Y</th> <th>Z</th> </tr> </thead> <tbody> <tr> <td>Front</td> <td>$\leq a$</td> <td>$\leq 1/2 W$</td> <td>$\leq t$</td> </tr> <tr> <td>Back</td> <td colspan="3">Neglect</td> </tr> </tbody> </table>		X	Y	Z	Front	$\leq a$	$\leq 1/2 W$	$\leq t$	Back	Neglect		
	X	Y	Z									
Front	$\leq a$	$\leq 1/2 W$	$\leq t$									
Back	Neglect											

◆ Specification For Monotype and Color STN :

(Ver. B01)

NO	Item	Criterion	Level									
07	The crack of glass	<p>Symbols :</p> <p>X : The length of crack Z : The thickness of crack t : The thickness of glass</p> <p>Y : The width of crack. W : terminal length a : LCD side length</p>	Minor									
		<p>7.2.2 Non-conductive portion :</p>  <table border="1" data-bbox="582 1052 1204 1205"> <thead> <tr> <th>X</th> <th>Y</th> <th>Z</th> </tr> </thead> <tbody> <tr> <td>$\leq 1/3 a$</td> <td>$\leq W$</td> <td>$\leq t$</td> </tr> </tbody> </table> <p>⊙ If the chipped area touches the ITO terminal, over 2/3 of the ITO must remain and be inspected according to electrode terminal specifications.</p> <p>7.2.3 Glass remain :</p>  <table border="1" data-bbox="502 1736 1189 1870"> <thead> <tr> <th>X</th> <th>Y</th> <th>Z</th> </tr> </thead> <tbody> <tr> <td>$\leq a$</td> <td>$\leq 1/3 W$</td> <td>$\leq t$</td> </tr> </tbody> </table>		X	Y	Z	$\leq 1/3 a$	$\leq W$	$\leq t$	X	Y	Z
X	Y	Z										
$\leq 1/3 a$	$\leq W$	$\leq t$										
X	Y	Z										
$\leq a$	$\leq 1/3 W$	$\leq t$										

◆ Specification For Monotype and Color STN :

(Ver. B01)

NO	Item	Criterion	Level
08	Backlight elements	8. 1 Backlight can't work normally.	Major
		8. 2 Backlight doesn't light or color is wrong.	Major
		8. 3 Illumination source flickers when lit.	Major
09	General appearance	9. 1 Pin type must match type in specification sheet.	Major
		9. 2 No short circuits in components on PCB or FPC.	Major
		9. 3 Product packaging must the same as specified on packaging specification sheet.	Minor
		9. 4 The folding and peeled off in polarizer are not acceptable.	Minor
		9. 5 The PCB or FPC between B/L assembled distance (PCB or FPC) is ≤ 1.5 mm.	Minor

4. RELIABILITY TEST

4.1 Reliability Test Condition

(Ver.B01)

NO.	TEST ITEM	TEST CONDITION										
1	High Temperature Storage Test	Keep in $80 \pm 2^{\circ}\text{C}$ 96 hrs Surrounding temperature, then storage at normal condition 4hrs.										
2	Low Temperature Storage Test	Keep in $-30 \pm 2^{\circ}\text{C}$ 96 hrs Surrounding temperature, then storage at normal condition 4hrs.										
3	High Temperature / High Humidity Storage Test	Keep in $+60^{\circ}\text{C}$ / 90% R.H duration for 96 hrs Surrounding temperature, then storage at normal condition 4hrs. (Excluding the polarizer)										
4	Temperature Cycling Storage Test	<p style="text-align: center;"> $-30^{\circ}\text{C} \rightarrow +25^{\circ}\text{C} \rightarrow 80^{\circ}\text{C} \rightarrow +25^{\circ}\text{C}$ (30mins) (5mins) (30mins) (5mins) $\leftarrow \hspace{10em} \rightarrow$ 10 Cycle </p> <p>Surrounding temperature, then storage at normal condition 4hrs.</p>										
5	ESD Test	Air Discharge: Apply 2 KV with 5 times Discharge for each polarity +/-										
		Contact Discharge: Apply 250 V with 5 times discharge for each polarity +/-										
		1. Temperature ambience : $15^{\circ}\text{C} \sim 35^{\circ}\text{C}$ 2. Humidity relative : 30%~60% 3. Energy Storage Capacitance(Cs+Cd) : $150\text{pF} \pm 10\%$ 4. Discharge Resistance(Rd) : $330\Omega \pm 10\%$ 5. Discharge, mode of operation : Single Discharge (time between successive discharges at least 1 sec) (Tolerance if the output voltage indication : $\pm 5\%$)										
6	Vibration Test (Packaged)	1. Sine wave 10~55 Hz frequency (1 min/sweep) 2. The amplitude of vibration : 1.5 mm 3. Each direction (X、Y、Z) duration for 2 Hrs										
7	Drop Test (Packaged)	<table border="1" style="margin-left: auto; margin-right: auto;"> <thead> <tr> <th>Packing Weight (Kg)</th> <th>Drop Height (cm)</th> </tr> </thead> <tbody> <tr> <td>0 ~ 45.4</td> <td>122</td> </tr> <tr> <td>45.4 ~ 90.8</td> <td>76</td> </tr> <tr> <td>90.8 ~ 454</td> <td>61</td> </tr> <tr> <td>Over 454</td> <td>46</td> </tr> </tbody> </table>	Packing Weight (Kg)	Drop Height (cm)	0 ~ 45.4	122	45.4 ~ 90.8	76	90.8 ~ 454	61	Over 454	46
		Packing Weight (Kg)	Drop Height (cm)									
0 ~ 45.4	122											
45.4 ~ 90.8	76											
90.8 ~ 454	61											
Over 454	46											
		Drop Direction : ※1 corner / 3 edges / 6 sides each 1time										

5. PRECAUTION RELATING PRODUCT HANDLING

5.1 SAFETY

- 5.1.1 If the LCD panel breaks , be careful not to get the liquid crystal to touch your skin.
- 5.1.2 If the liquid crystal touches your skin or clothes , please wash it off immediately by using soap and water.

5.2 HANDLING

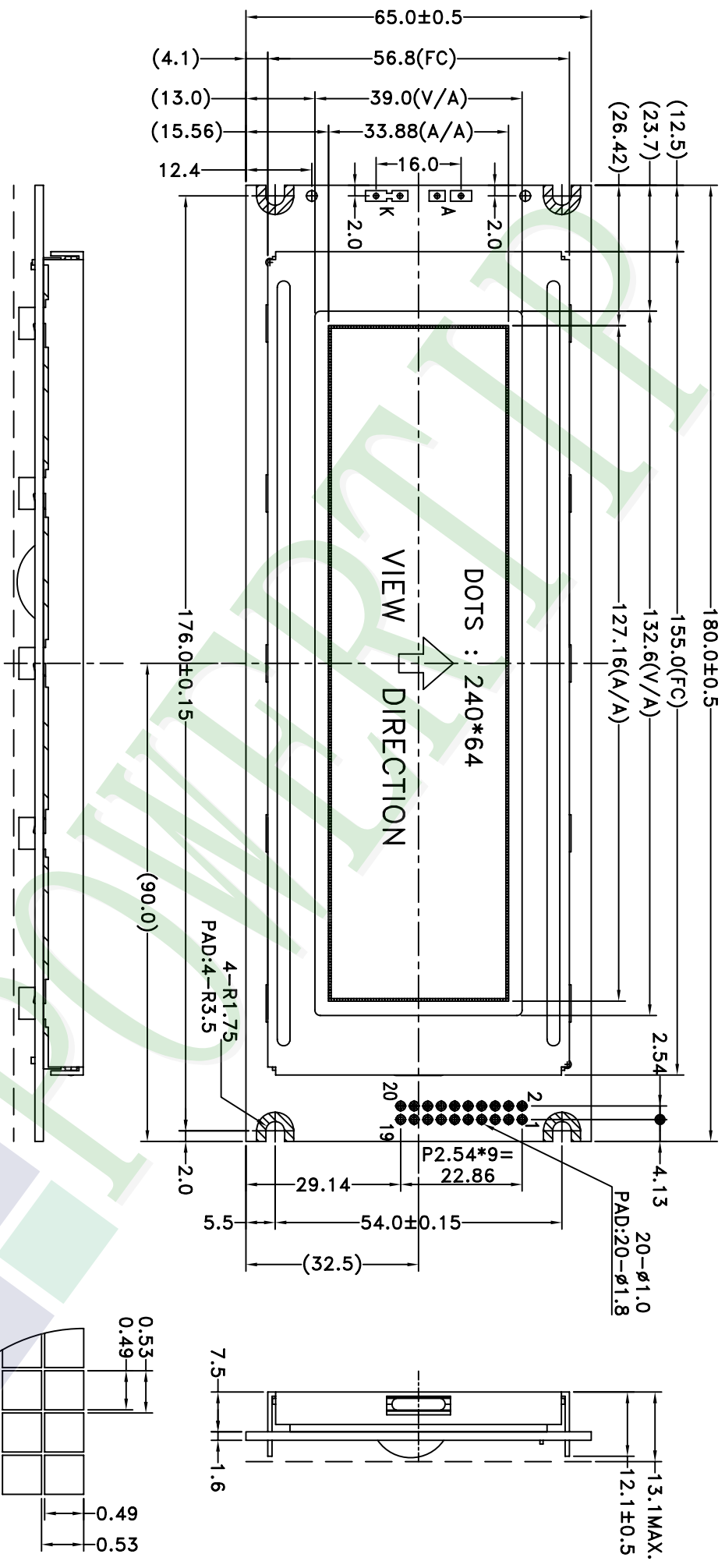
- 5.2.1 Avoid any strong mechanical shock which can break the glass.
- 5.2.2 Avoid static electricity which can damage the CMOS LSI—When working with the module , be sure to ground your body and any electrical equipment you may be using.
- 5.2.3 Do not remove the panel or frame from the module.
- 5.2.4 The polarizing plate of the display is very fragile. So , please handle it very carefully, do not touch , push or rub the exposed polarizing with anything harder than an HB pencil lead (glass , tweezers , etc.)
- 5.2.5 Do not wipe the polarizing plate with a dry cloth , as it may easily scratch the surface of plate.
- 5.2.6 Do not touch the display area with bare hands , this will stain the display area.
- 5.2.7 Do not use ketonics solvent & aromatic solvent. Use with a soft cloth soaked with a cleaning naphtha solvent.
- 5.2.8 To control temperature and time of soldering is $320 \pm 10^{\circ}\text{C}$ and 3-5 sec.
- 5.2.9 To avoid liquid (include organic solvent) stained on LCM

5.3 STORAGE

- 5.3.1 Store the panel or module in a dark place where the temperature is $25^{\circ}\text{C} \pm 5^{\circ}\text{C}$ and the humidity is below 65% RH.
- 5.3.2 Do not place the module near organics solvents or corrosive gases.
- 5.3.3 Do not crush , shake , or jolt the module.

5.4 TERMS OF WARRANTY

- 5.4.1 Applicable warrant period
The period is within thirteen months since the date of shipping out under normal using and storage conditions.
- 5.4.2 Unaccepted responsibility
This product has been manufactured to your company's specification as a part for use in your company's general electronic products. It is guaranteed to perform according to delivery specifications. For any other use apart from general electronic equipment, we cannot take responsibility if the product is used in nuclear power control equipment, aerospace equipment , fire and security systems or any other applications in which there is a direct risk to human life and where extremely high levels of reliability are required.



- NOTES:
- 1.The tolerance unless classified ±0.3mm
 - 2.LCD TYPE: STN yellow-green/positive/Transflective
 - 3.VIEW DIRECTION: 6 O'CLOCK
 - 4.Top:-20°C~+70°C Tst:-30°C~+80°C
 - 5.This product conforms ROHS.

007				PART NO:	PG24064LRU-EGAHPSQ		久正光电股份有限公司 POWER TIP TECHNOLOGY CORPORATION		Surface		公称厚度 mm		精度	
006				DRAWING NAME:	JLMD-PG24064LRU-EGAHPSQ		Air		Unit		1 ~ 4		-	
004				TITLE:	LCD MODULE DRAWING		Terry		Scale		1:1		-	
003				DESIGN:	Air		Ryan		Material		-		-	
002				CHECK:	Terry		Ryan		Thickness		16 ~ 63		-	
001	NEW DRAWING	Air	2013/03/28	APPROVE:	Ryan		Ryan		Quantity		63 ~ 250		-	
REV	REV BY	REVISER	DATE											

LCM包裝規格書

LCM Packaging Specifications

Approve	Check	Contact
Ryan	Terry	Air

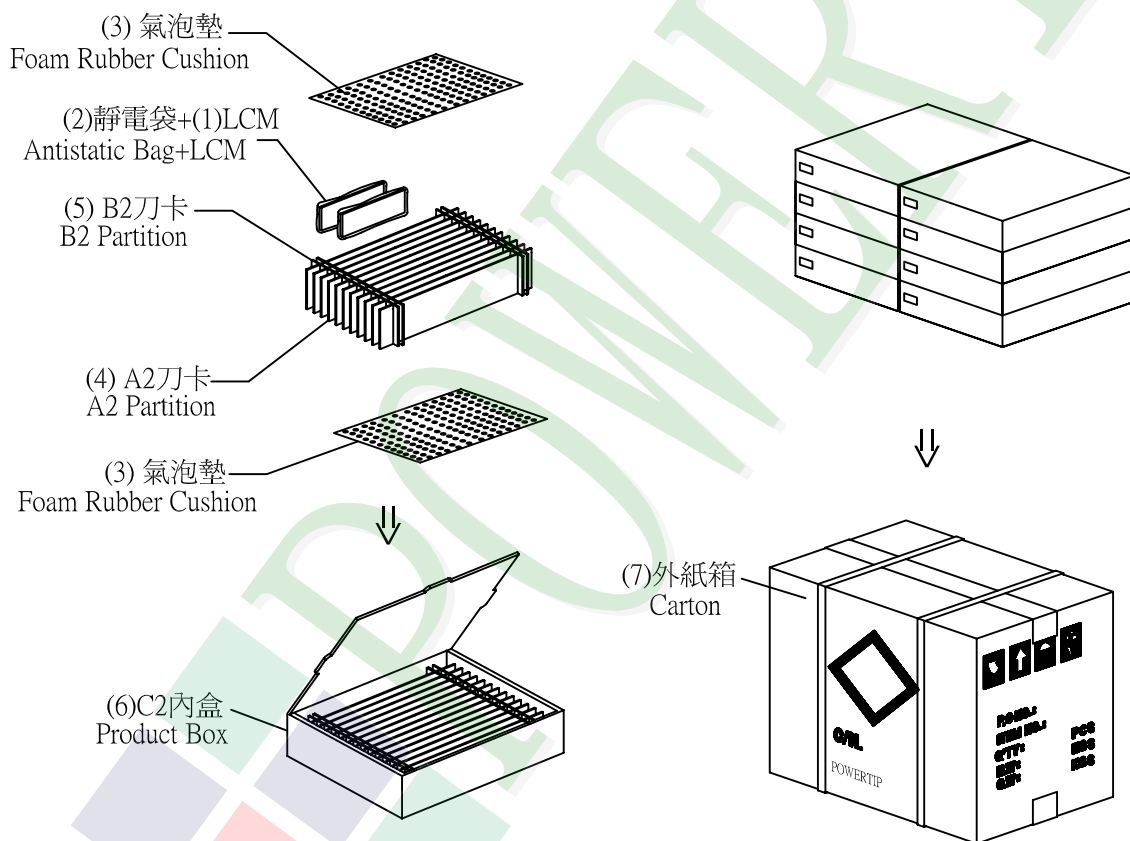
1. 包裝材料規格表 (Packaging Material) : (per carton)

No.	Item	Model	Dimensions (mm)	1Pcs Weight	Quantity	Total Weight
1	成品(1) (LCM)	PG24064LRU-EGAHP5Q	180.0*65.0*13.1	0.1596	104	16.5984
2	靜電袋 (2)BAG	BAG250100ARABA	250*100*0.06	0.002	104	0.208
3	氣泡墊(3)BAG	BAG290240BRBBA	240*290*5	0.0029	16	0.0464
4	刀卡A2(4)BX	BX29500072BZBA	295*72*3	0.011	104	1.144
5	刀卡B2(5)BX	BX24500072BZBA	245*72*3	0.01	32	0.32
6	C2內盒(6)Product Box	BX31025580AABA	310*255*86	0.221	8	1.768
7	外紙箱(7)Carton	BX52532536CCBA	525*325 *360	1.092	1	1.092
8						
9						

2. 一整箱總重量 (Total LCD Weight in carton) : 21.18 Kg±10% 取兩位小數

3. 單箱數量規格表 (Packaging Specifications and Quantity) :

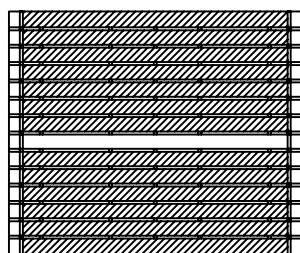
(1)Quantity Of Spacer : A2刀卡 * 13 ; B2刀卡 * 4
 (2)Total LCM quantity in carton : quantity per box 13 x no. of boxes 8 = 104



特記事項 (REMARK)

4. 標籤依廠內標準作業

5. LCM排放示意圖(前後間隔不放置):
 5. LCM placed as figure showing:
 (First and last slot should be empty)



▨ 模組(LCM) X 1pcs.

前七后六,最外一欄面朝里放置,其余面朝外.
 每啤盒裝13PCS