



**RAYSTAR**

# 曜凌光電股份有限公司

住址: 42878 台中市大雅区科雅路 25 號 5F WEB: <http://www.Raystar-Optronics.com>  
5F., No.25, Keya Rd., Daya Dist., Taichung E-mail: [sales@raystar-optronics.com](mailto:sales@raystar-optronics.com)  
City 428, Taiwan Tel:886-4-2565-0761 Fax : 886-4-2565-0760

## RX2402A-FHW

---

---

### SPECIFICATION

CUSTOMER:

|             |  |
|-------------|--|
| APPROVED BY |  |
| PCB VERSION |  |
| DATE        |  |

FOR CUSTOMER USE ONLY

| SALES BY | APPROVED BY | CHECKED BY | PREPARED BY |
|----------|-------------|------------|-------------|
|          |             |            |             |

Release DATE:

## Revision History

| VERSION | DATE       | REVISED PAGE NO. | Note   |
|---------|------------|------------------|--|
| 0       | 2012/07/13 |                  | First issue  |
| A       | 2012/10/31 |                  | Modify note3   |
| B       | 2014/11/26 |                  | Remove IC information  |
| C       | 2016/02/25 |                  | Modify Precautions in use of LCD Modules & Static electricity test |

RAYSTAR OPTRONICS

# Contents

- 1.General Specification
- 2.Module Classification Information
- 3.Interface Pin Function
- 4.Contour Drawing &Block Diagram
- 5.Optical Characteristics
- 6.Absolute Maximum Ratings
- 7.Electrical Characteristics
- 8.Backlight Information
- 9.Reliability
- 10.Inspection specification
- 11.Precautions in use of LCD Modules
- 12.Material List of Components for RoHs
- 13.Recommendable Storage

## 1. General Specification

The Features of the Module is description as follow:

- Module dimension: 86.2 x 24.7 x 6.0 mm
- View area: 72.3 x 11.84 mm
- Active area: 70.3 x 9.84 mm
- Number of Characters: 24 characters x 2 Lines
- Dot size: 0.45 x 0.54 mm
- Dot pitch: 0.50x 0.59 mm
- Character size: 2.45 x 4.67 mm
- Character pitch: 2.95 x 5.17 mm
- LCD type: FSTN Positive Transflective
- Duty: 1/17DUTY,1/5BIAS
- View direction: 6 o'clock
- Backlight Type: LED, White
- IC: RW1062

## 2.Module Classification Information

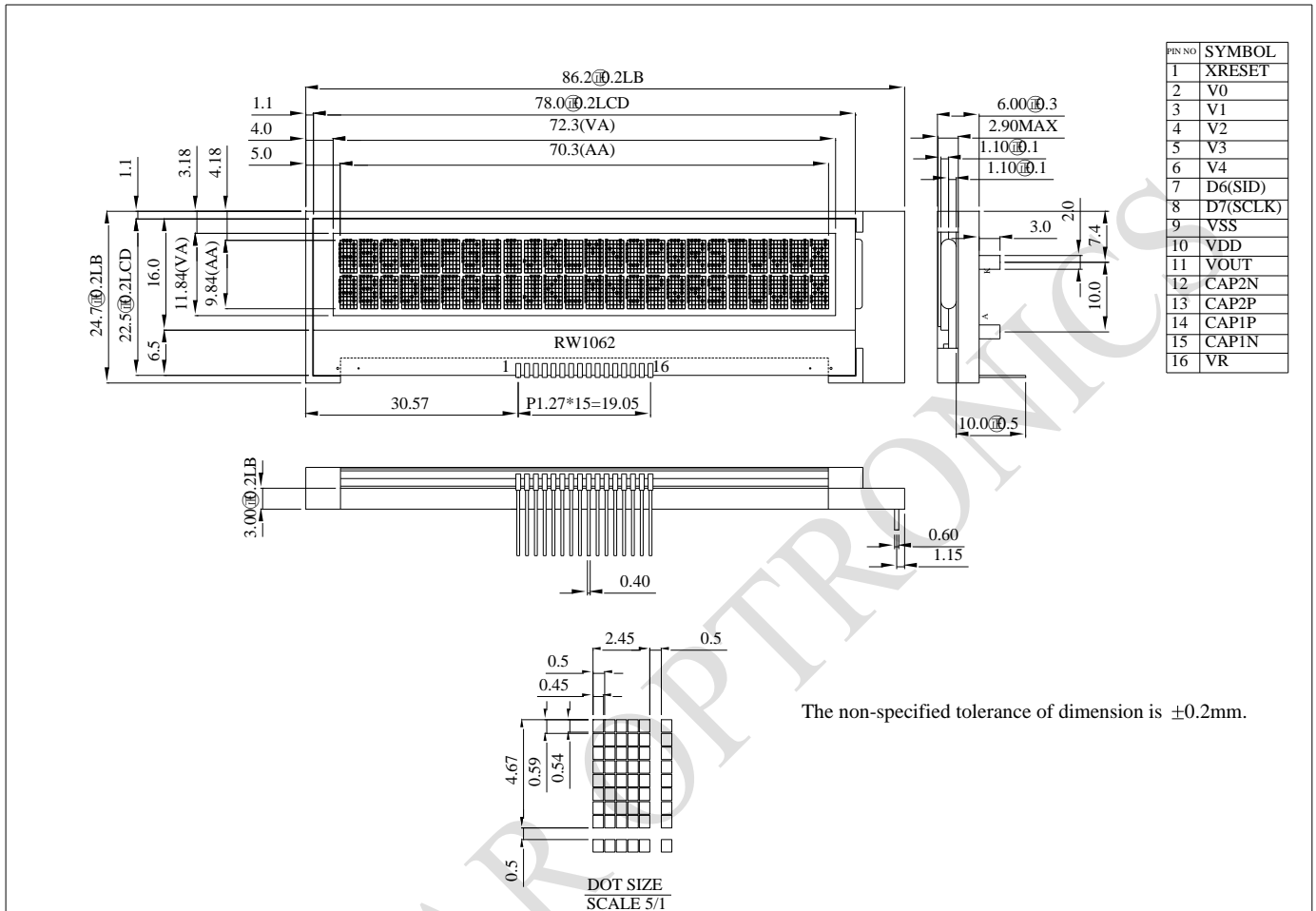
|          |          |             |          |   |          |          |          |
|----------|----------|-------------|----------|---|----------|----------|----------|
| <u>R</u> | <u>X</u> | <u>2402</u> | <u>A</u> | — | <u>F</u> | <u>H</u> | <u>W</u> |
| ①        | ②        | ③           | ④        | — | ⑤        | ⑥        | ⑦        |

| Item | Description   |                              |                               |                         |
|------|---|------------------------------|-------------------------------|-------------------------|
| 1    | R : Raystar Optronics Inc.                              |                              |                               |                         |
| 2    | Display   | C : Character Type,          | T:TAB Type                    |                         |
|      |   | G : Graphic Type             | X:COG Type                    |                         |
| 3    | Display Font : 24 * 02 dot                              |                              |                               |                         |
| 4    | Serials code :  |                              |                               |                         |
| 5    | LCD   | P→TN Positive, Gray          | V→FSTN Negative, Blue         |                         |
|      |   | N→TN Negative,               | T→FSTN Negative, Black        |                         |
|      |   | L→VA Negative                | D→FSTN Negative (Double film) |                         |
|      |   | H→ HTN Positive, Gray        | F→FSTN Positive               |                         |
|      |   | I→HTN Negative, Black        | K→FSC Negative                |                         |
|      |   | U→HTN Negative, Blue         | S→FSC Positive                |                         |
|      |   | B→STN Negative, Blue         | E→ISTN Negative, Black        |                         |
|      |   | G→STN Positive, Gray         | C→CSTN Negative, Black        |                         |
|      |   | Y→STN Positive, Yellow Green | A→ASTN Negative, Black        |                         |
| 6    | Polarizer Type,<br>Temperature range,<br>View direction | A : Reflective, N.T, 6:00    | K : Transflective, W.T,12:00  |                         |
|      |   | D : Reflective, N.T, 12:00   | 1 : Transflective, U.T,6:00   |                         |
|      |   | G : Reflective, W. T, 6:00   | 4 : Transflective, U.T.12:00  |                         |
|      |   | J : Reflective, W. T, 12:00  | C : Transmissive, N.T,6:00    |                         |
|      |   | 0 : Reflective, U. T, 6:00   | F : Transmissive, N.T,12:00   |                         |
|      |   | 3 : Reflective, U. T, 12:00  | I : Transmissive, W. T, 6:00  |                         |
|      |   | B : Transflective, N.T,6:00  | L : Transmissive, W.T,12:00   |                         |
|      |   | E : Transflective, N.T.12:00 | 2 : Transmissive, U. T, 6:00  |                         |
|      |   | H : Transflective, W.T,6:00  | 5 : Transmissive, U.T,12:00   |                         |
| 7    | Backlight   | N→ Without backlight         | W→LED, White                  | H→LED, High light White |
|      |   | P→EL, Blue                   | A→LED, Amber                  | S→LED, Full color       |
|      |   | T→EL, Green                  | R→LED, Red                    | J→DIP LED, Blue         |
|      |   | D→EL, White                  | O→LED, Orange                 | K→DIP LED, White        |
|      |   | M→EL, Yellow Green           | B→LED, Blue                   | E→DIP LED, Yellow       |
|      |   | F→CCFL, White                | X→LED, Dual color             | L→DIP LED, Amber        |
|      |   | Y→LED, Yellow Green          | C→LED, Full color             | I→DIP LED, Red          |
|      |   | G→LED, Green                 |                               |                         |

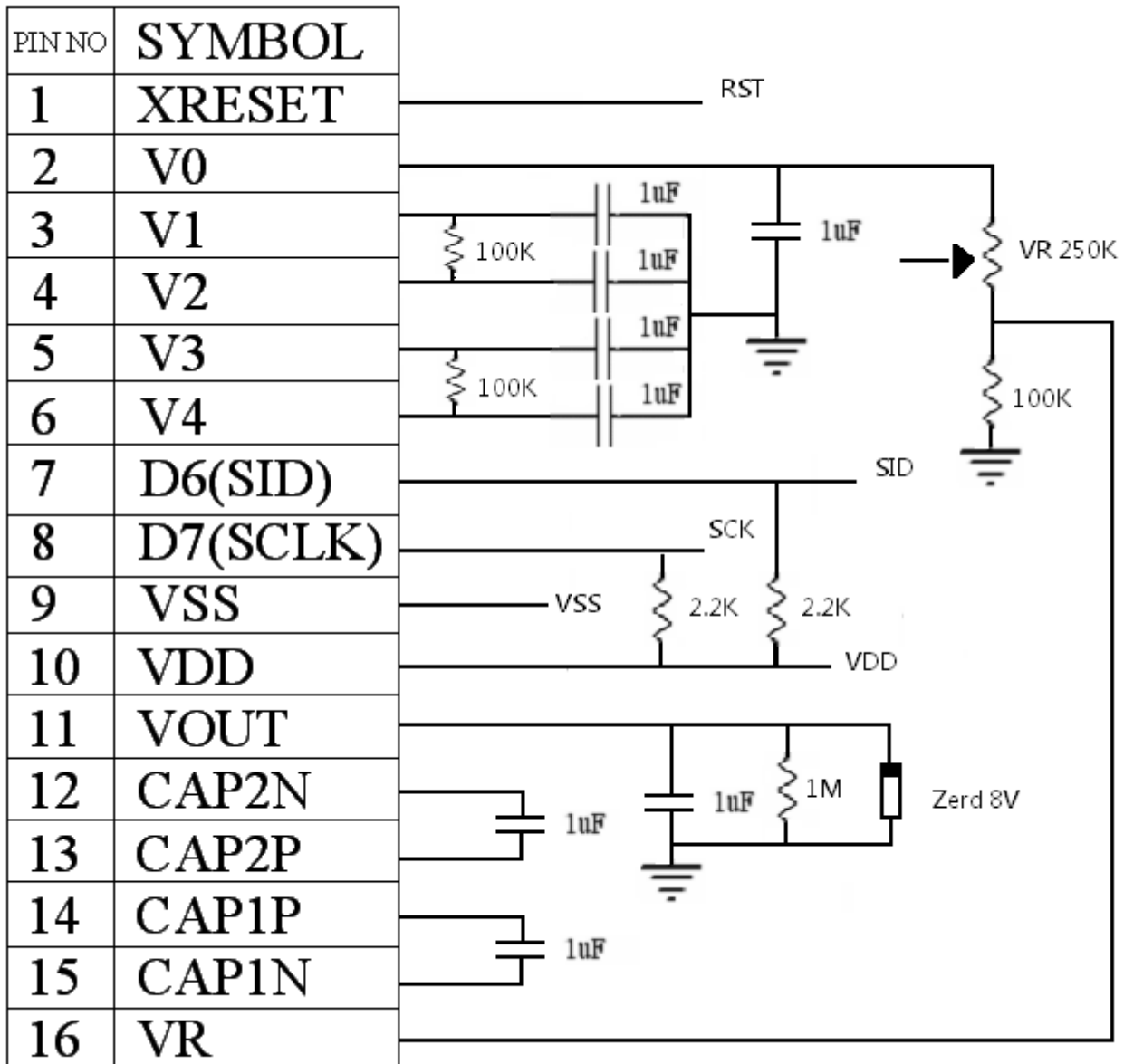
### 3.Interface Pin Function

| Pin No. | Symbol   | Level   | Description  |
|---------|----------|---------|--|
| 1       | XRESET   |         | Reset pin, Initialized to Low  |
| 2~6     | V0~V4    |         | Bias voltage level for LCD driving   |
| 7       | D6(SID)  |         | Serial input data  |
| 8       | D7(SCLK) |         | Serial clock   |
| 9       | VSS      |         | GND  |
| 10      | VDD      | 3.0/5.0 | Power supply   |
| 11      | VOUT     |         | Voltage converter output voltage   |
| 12      | CAP2N    |         | External Capacitance input,<br>To use the voltage converter (2 times/ 3times), these pins must be connected to the external capacitance. |
| 13      | CAP2P    |         |  |
| 14      | CAP1P    |         |  |
| 15      | CAP1N    |         |  |
| 16      | VR       |         | Reference voltage input to generate V0   |

### 4. Contour Drawing



## Application schematic



INITIALIZE:

```

MOV     I2C_CONTROL,#00H ;WRITE COMMAND
MOV     I2C_DATA,#30H    ;Function Set RE=0
LCALL  WRITE_CODE
LCALL  DELAY_39uS
MOV     I2C_DATA,#30H    ;Function Set RE=0
LCALL  WRITE_CODE
LCALL  DELAY_39uS
MOV     I2C_DATA,#08H    ;DISPLAY OFF
LCALL  WRITE_CODE
LCALL  DELAY_39uS
MOV     I2C_DATA,#06H    ;Entry Mode Set
LCALL  WRITE_CODE
    
```

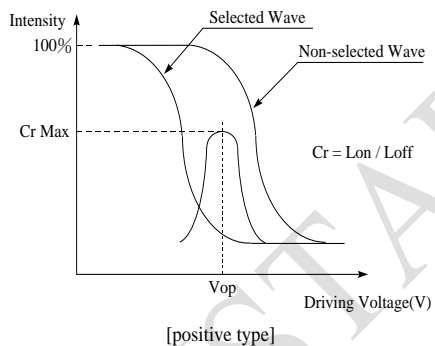


```
LCALL DELAY_39uS
LCALL CGRAM
MOV I2C_CONTROL,#00H
MOV I2C_DATA,#34H ;Function Set RE=1
LCALL WRITE_CODE
LCALL DELAY_39uS
MOV I2C_DATA,#02H ;Standby Mode Set: (RE = 1)
LCALL WRITE_CODE ;NORMAL MODE
LCALL DELAY_39uS
MOV I2C_DATA,#06H ;Entry Mode Set: (RE = 1)
LCALL WRITE_CODE ;SEG NORMAL COM REVERSE
LCALL DELAY_39uS
MOV I2C_DATA,#16H ;Booster on, Regulator on, Follower on
LCALL WRITE_CODE
LCALL DELAY_39uS
MOV I2C_DATA,#08H ;Extended Function Set (RE = 1)
LCALL WRITE_CODE
LCALL DELAY_39uS
MOV I2C_DATA,#08H ;Extended Function Set (RE = 1)
LCALL WRITE_CODE
LCALL DELAY_39uS
MOV I2C_CONTROL,#00H
MOV I2C_DATA,#30H ;Function Set RE=0
LCALL WRITE_CODE
LCALL DELAY_39uS
MOV I2C_DATA,#0CH ;DISPLAY ON,Cursor OFF,Cursor Blink OFF
LCALL WRITE_CODE
;LCALL DELAY_39uS
MOV I2C_DATA,#01H ;CLEAR DISPLAY
LCALL WRITE_CODE
LCALL DELAY_39uS
LCALL DELAY_39uS
RET
```

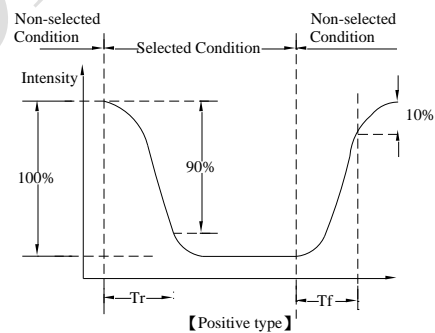
## 5.Optical Characteristics

| Item           | Symbol   | Condition   | Min | Typ | Max | Unit               |
|----------------|----------|-------------|-----|-----|-----|--------------------|
| View Angle     | $\theta$ | $CR \geq 2$ | 0   | —   | 30  | $\psi = 180^\circ$ |
|                | $\theta$ | $CR \geq 2$ | 0   | —   | 60  | $\psi = 0^\circ$   |
|                | $\theta$ | $CR \geq 2$ | 0   | —   | 45  | $\psi = 90^\circ$  |
|                | $\theta$ | $CR \geq 2$ | 0   | —   | 45  | $\psi = 270^\circ$ |
| Contrast Ratio | CR       | —           | —   | 5   | —   | —                  |
| Response Time  | T rise   | —           | —   | 150 | 200 | ms                 |
|                | T fall   | —           | —   | 150 | 200 | ms                 |

### Definition of Operation Voltage (Vop)



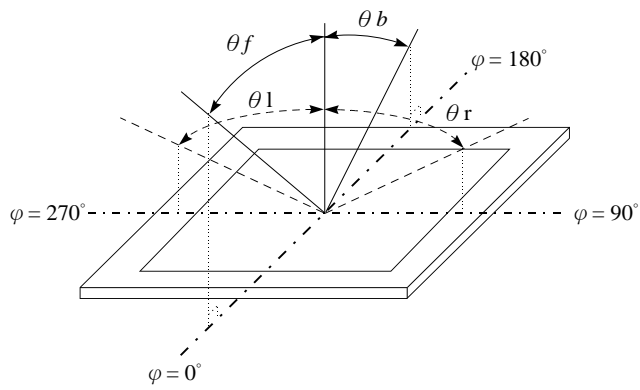
### Definition of Response Time (Tr , Tf)



### Conditions :

Operating Voltage : Vop      Viewing Angle( $\theta$  ,  $\varphi$ ) :  $0^\circ$  ,  $0^\circ$   
 Frame Frequency : 64 HZ Driving Waveform : 1/N duty , 1/a bias

### Definition of viewing angle( $CR \geq 2$ )



RAYSTAR OPTRONICS

## 6. Absolute Maximum Ratings

| Item                     | Symbol          | Min  | Typ | Max          | Unit |
|--------------------------|-----------------|------|-----|--------------|------|
| Operating Temperature    | $T_{OP}$        | -20  | —   | +70          | °C   |
| Storage Temperature      | $T_{ST}$        | -30  | —   | +80          | °C   |
| Input Voltage            | $V_{IN}$        | -0.3 | —   | $V_{DD}+0.3$ | V    |
| Supply Voltage For Logic | $V_{DD}-V_{SS}$ | 0.3  | —   | 5.5          | V    |
| Supply Voltage For LCD   | $V_{LCD}$       | -0.3 | —   | 7.0          | V    |

## 7. Electrical Characteristics

| Item                                     | Symbol       | Condition | Min           | Typ           | Max          | Unit |
|--|--------------|-----------|---------------|---------------|--------------|------|
| Supply Voltage For Logic                 | $V_{DD-VSS}$ | —         | —             | 3.0/5.0       | —            | V    |
| Supply Voltage For LCD                   | $V_{LCD}$    | Ta=-20°C  | —             | —             | —            | V    |
|  |              | Ta=25°C   | 4.4           | 4.5           | 4.6          | V    |
|  |              | Ta=70°C   | —             | —             | —            | V    |
| Input High Volt.                         | $V_{IH}$     | —         | 0.7 $V_{DD}$  | —             | $V_{DD}$     | V    |
| Input Low Volt.                          | $V_{IL}$     | —         | -0.3          | —             | 0.6          | V    |
| Output High Volt.                        | $V_{OH}$     | —         | 0.75 $V_{DD}$ | —             | —            | V    |
| Output Low Volt.                         | $V_{OL}$     | —         | —             | —             | 0.2 $V_{DD}$ | V    |
| Supply Current(No include LED Backlight) | $I_{DD}$     | —         | —             | 0.92/2.0<br>1 | —            | mA   |

Please kindly consider to design the Vop to be adjustable while programing the software to match LCD contrast tolerance.

## 8.Backlight Information

### Specification

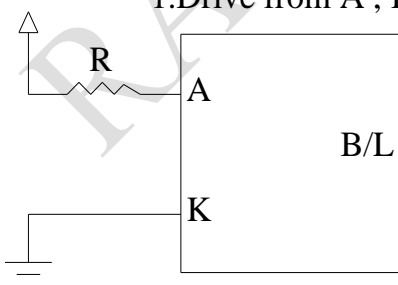
| PARAMETER                             | SYMBOL           | MIN | TYP | MAX | UNIT              | TEST CONDITION                                       |
|---------------------------------------|------------------|-----|-----|-----|-------------------|--|
| Supply Current                        | I <sub>LED</sub> | —   | 48  | 60  | mA                | V=3.5V   |
| Supply Voltage                        | V                | 3.4 | 3.5 | 3.6 | V                 | —  |
| Reverse Voltage                       | V <sub>R</sub>   | —   | —   | 5   | V                 | —  |
| Luminance<br>(Without LCD)            | I <sub>V</sub>   | 468 | 585 | —   | CD/M <sup>2</sup> | I <sub>LED</sub> =48mA                               |
| LED Life Time<br>(For Reference only) | —                | —   | 50K | —   | Hr.               | I <sub>LED</sub> =48mA<br>25°C,50-60%RH,<br>(Note 1) |
| Color                                 | White            |     |     |     |                   |  |

**Note:** The LED of B/L is drive by current only, drive voltage is for reference only. drive voltage can make driving current under safety area (current between minimum and maximum).


**Note 1:**50K hours is only an estimate for reference.

LED B\L Drive Method

1.Drive from A , K



## 9. Reliability

| Environmental Test                 |  |   |      |
|------------------------------------|--|---|------|
| Test Item                          | Content of Test  | Test Condition  | Note |
| High Temperature storage           | Endurance test applying the high storage temperature for a long time.  | 80°C<br>200hrs  | 2    |
| Low Temperature storage            | Endurance test applying the low storage temperature for a long time.   | -30°C<br>200hrs   | 1,2  |
| High Temperature Operation         | Endurance test applying the electric stress (Voltage & Current) and the thermal stress to the element for a long time.   | 70°C<br>200hrs  | —    |
| Low Temperature Operation          | Endurance test applying the electric stress under low temperature for a long time.   | -20°C<br>200hrs   | 1    |
| High Temperature/ Humidity storage | The module should be allowed to stand at 60°C,90%RH max<br>For 96hrs under no-load condition excluding the polarizer,<br>Then taking it out and drying it at normal temperature.   | 60°C,90%RH<br>96hrs   | 1,2  |
| Thermal shock resistance           | The sample should be allowed stand the following 10 cycles of operation<br>-20°C    25°C    70°C<br><br>30min    5min    30min<br>1 cycle | -20°C/70°C<br>10 cycles   | —    |
| Vibration test                     | Endurance test applying the vibration during transportation and using.   | Total fixed amplitude : 1.5mm<br>Vibration Frequency : 10~55Hz<br>One cycle 60 seconds to 3 directions of X,Y,Z for Each 15 minutes | 3    |
| Static electricity test            | Endurance test applying the electric stress to the terminal.   | VS=±600V(contact),<br>±800v(air),<br>RS=330 Ω<br>CS=150pF<br>10 times   | —    |

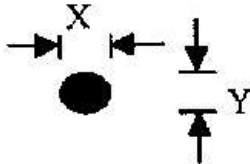
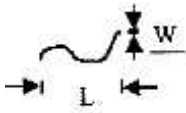
### Content of Reliability Test (Wide temperature, -20°C~70°C)

**Note1:** No dew condensation to be observed.

**Note2:** The function test shall be conducted after 4 hours storage at the normal Temperature and humidity after remove from the test chamber.

**Note3:** The packing have to including into the vibration testing.

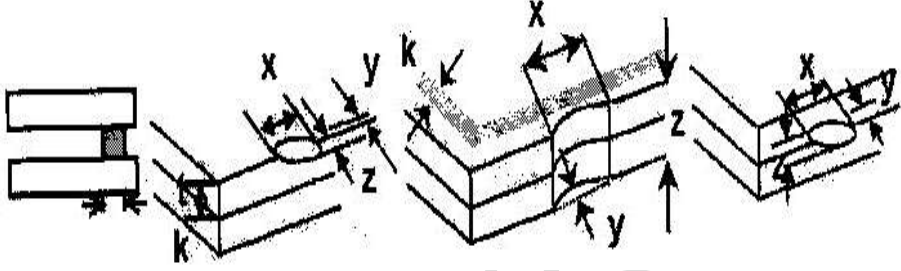
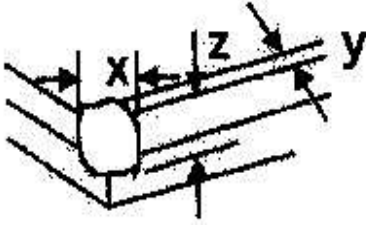
# 10. Inspection specification

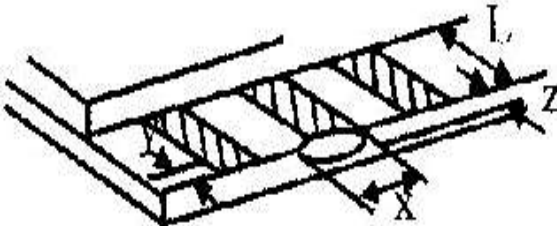
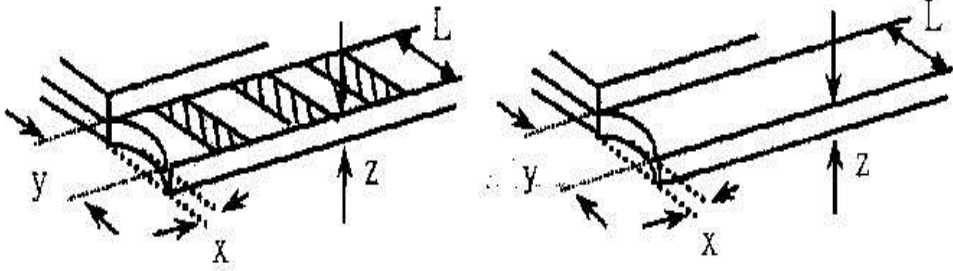
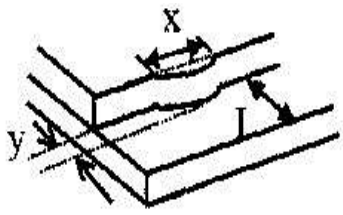
| NO   | Item  | Criterion  | AQL             |                 |                  |                 |                         |                      |                         |              |                      |     |            |               |     |
|--|---|--|-----------------|-----------------|------------------|-----------------|-------------------------|----------------------|-------------------------|--------------|----------------------|-----|------------|---------------|-----|
| 01   | Electrical Testing  | 1.1 Missing vertical, horizontal segment, segment contrast defect.<br>1.2 Missing character , dot or icon.<br>1.3 Display malfunction.<br>1.4 No function or no display.<br>1.5 Current consumption exceeds product specifications.<br>1.6 LCD viewing angle defect.<br>1.7 Mixed product types.<br>1.8 Contrast defect.   | 0.65            |                 |                  |                 |                         |                      |                         |              |                      |     |            |               |     |
| 02   | Black or white spots on LCD (display only)                | 2.1 White and black spots on display $\leq 0.25\text{mm}$ , no more than three white or black spots present.<br>2.2 Densely spaced: No more than two spots or lines within 3mm   | 2.5             |                 |                  |                 |                         |                      |                         |              |                      |     |            |               |     |
| 03   | LCD black spots, white spots, contamination (non-display) | 3.1 Round type : As following drawing<br>$\Phi = (x + y) / 2$  <table border="1" data-bbox="821 1041 1348 1294"> <thead> <tr> <th>SIZE</th> <th>Acceptable Q TY</th> </tr> </thead> <tbody> <tr> <td><math>\Phi \leq 0.10</math></td> <td>Accept no dense</td> </tr> <tr> <td><math>0.10 &lt; \Phi \leq 0.20</math></td> <td>2</td> </tr> <tr> <td><math>0.20 &lt; \Phi \leq 0.25</math></td> <td>1</td> </tr> <tr> <td><math>0.25 &lt; \Phi</math></td> <td>0</td> </tr> </tbody> </table> | SIZE            | Acceptable Q TY | $\Phi \leq 0.10$ | Accept no dense | $0.10 < \Phi \leq 0.20$ | 2                    | $0.20 < \Phi \leq 0.25$ | 1            | $0.25 < \Phi$        | 0   | 2.5        |               |     |
|  |   | SIZE   | Acceptable Q TY |                 |                  |                 |                         |                      |                         |              |                      |     |            |               |     |
| $\Phi \leq 0.10$   | Accept no dense   |  |                 |                 |                  |                 |                         |                      |                         |              |                      |     |            |               |     |
| $0.10 < \Phi \leq 0.20$  | 2   |  |                 |                 |                  |                 |                         |                      |                         |              |                      |     |            |               |     |
| $0.20 < \Phi \leq 0.25$  | 1   |  |                 |                 |                  |                 |                         |                      |                         |              |                      |     |            |               |     |
| $0.25 < \Phi$  | 0   |  |                 |                 |                  |                 |                         |                      |                         |              |                      |     |            |               |     |
| 3.2 Line type : (As following drawing)<br> <table border="1" data-bbox="710 1541 1348 1792"> <thead> <tr> <th>Length</th> <th>Width</th> <th>Acceptable Q TY</th> </tr> </thead> <tbody> <tr> <td>---</td> <td><math>W \leq 0.02</math></td> <td>Accept no dense</td> </tr> <tr> <td><math>L \leq 3.0</math></td> <td><math>0.02 &lt; W \leq 0.03</math></td> <td rowspan="2">2</td> </tr> <tr> <td><math>L \leq 2.5</math></td> <td><math>0.03 &lt; W \leq 0.05</math></td> </tr> <tr> <td>---</td> <td><math>0.05 &lt; W</math></td> <td>As round type</td> </tr> </tbody> </table> | Length  | Width  | Acceptable Q TY | ---             | $W \leq 0.02$    | Accept no dense | $L \leq 3.0$            | $0.02 < W \leq 0.03$ | 2                       | $L \leq 2.5$ | $0.03 < W \leq 0.05$ | --- | $0.05 < W$ | As round type | 2.5 |
| Length   | Width   | Acceptable Q TY  |                 |                 |                  |                 |                         |                      |                         |              |                      |     |            |               |     |
| ---  | $W \leq 0.02$   | Accept no dense  |                 |                 |                  |                 |                         |                      |                         |              |                      |     |            |               |     |
| $L \leq 3.0$   | $0.02 < W \leq 0.03$                                      | 2  |                 |                 |                  |                 |                         |                      |                         |              |                      |     |            |               |     |
| $L \leq 2.5$   | $0.03 < W \leq 0.05$                                      |  |                 |                 |                  |                 |                         |                      |                         |              |                      |     |            |               |     |
| ---  | $0.05 < W$  | As round type  |                 |                 |                  |                 |                         |                      |                         |              |                      |     |            |               |     |

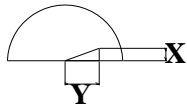


|    |                   |   |                         |                 |     |
|----|-------------------|---|-------------------------|-----------------|-----|
| 04 | Polarizer bubbles | If bubbles are visible, judge using black spot specifications, not easy to find, must check in specify direction. | Size $\Phi$             | Acceptable Q TY | 2.5 |
|    |                   |   | $\Phi \leq 0.20$        | Accept no dense |     |
|    |                   |   | $0.20 < \Phi \leq 0.50$ | 3               |     |
|    |                   |   | $0.50 < \Phi \leq 1.00$ | 2               |     |
|    |                   |   | $1.00 < \Phi$           | 0               |     |
|    |                   |   | Total Q TY              | 3               |     |

RAYSTAR OPTRONICS

| NO                 | Item                  | Criterion  | AQL               |               |                |               |                       |               |                    |                 |               |                   |               |                |               |                       |               |                    |                 |               |     |
|--------------------|-----------------------|--|-------------------|---------------|----------------|---------------|-----------------------|---------------|--------------------|-----------------|---------------|-------------------|---------------|----------------|---------------|-----------------------|---------------|--------------------|-----------------|---------------|-----|
| 05                 | Scratches             | Follow NO.3 LCD black spots, white spots, contamination  |                   |               |                |               |                       |               |                    |                 |               |                   |               |                |               |                       |               |                    |                 |               |     |
| 06                 | Chipped glass         | <p>Symbols Define:<br/>           x: Chip length      y: Chip width      z: Chip thickness<br/>           k: Seal width      t: Glass thickness      a: LCD side length<br/>           L: Electrode pad length:</p> <p>6.1 General glass chip :<br/>           6.1.1 Chip on panel surface and crack between panels:</p>  <table border="1" data-bbox="459 981 1369 1191"> <thead> <tr> <th>z: Chip thickness</th> <th>y: Chip width</th> <th>x: Chip length</th> </tr> </thead> <tbody> <tr> <td><math>Z \leq 1/2t</math></td> <td>Not over viewing area</td> <td><math>x \leq 1/8a</math></td> </tr> <tr> <td><math>1/2t &lt; z \leq 2t</math></td> <td>Not exceed 1/3k</td> <td><math>x \leq 1/8a</math></td> </tr> </tbody> </table> <p>⊙ If there are 2 or more chips, x is total length of each chip.</p> <p>6.1.2 Corner crack:</p>  <table border="1" data-bbox="459 1624 1369 1834"> <thead> <tr> <th>z: Chip thickness</th> <th>y: Chip width</th> <th>x: Chip length</th> </tr> </thead> <tbody> <tr> <td><math>Z \leq 1/2t</math></td> <td>Not over viewing area</td> <td><math>x \leq 1/8a</math></td> </tr> <tr> <td><math>1/2t &lt; z \leq 2t</math></td> <td>Not exceed 1/3k</td> <td><math>x \leq 1/8a</math></td> </tr> </tbody> </table> <p>⊙ If there are 2 or more chips, x is the total length of each chip.</p> | z: Chip thickness | y: Chip width | x: Chip length | $Z \leq 1/2t$ | Not over viewing area | $x \leq 1/8a$ | $1/2t < z \leq 2t$ | Not exceed 1/3k | $x \leq 1/8a$ | z: Chip thickness | y: Chip width | x: Chip length | $Z \leq 1/2t$ | Not over viewing area | $x \leq 1/8a$ | $1/2t < z \leq 2t$ | Not exceed 1/3k | $x \leq 1/8a$ | 2.5 |
| z: Chip thickness  | y: Chip width         | x: Chip length   |                   |               |                |               |                       |               |                    |                 |               |                   |               |                |               |                       |               |                    |                 |               |     |
| $Z \leq 1/2t$      | Not over viewing area | $x \leq 1/8a$  |                   |               |                |               |                       |               |                    |                 |               |                   |               |                |               |                       |               |                    |                 |               |     |
| $1/2t < z \leq 2t$ | Not exceed 1/3k       | $x \leq 1/8a$  |                   |               |                |               |                       |               |                    |                 |               |                   |               |                |               |                       |               |                    |                 |               |     |
| z: Chip thickness  | y: Chip width         | x: Chip length   |                   |               |                |               |                       |               |                    |                 |               |                   |               |                |               |                       |               |                    |                 |               |     |
| $Z \leq 1/2t$      | Not over viewing area | $x \leq 1/8a$  |                   |               |                |               |                       |               |                    |                 |               |                   |               |                |               |                       |               |                    |                 |               |     |
| $1/2t < z \leq 2t$ | Not exceed 1/3k       | $x \leq 1/8a$  |                   |               |                |               |                       |               |                    |                 |               |                   |               |                |               |                       |               |                    |                 |               |     |

| NO                    | Item           | Criterion  | AQL            |                   |                   |                       |               |                |               |                |                   |            |               |                |          |           |               |            |     |
|-----------------------|----------------|--|----------------|-------------------|-------------------|-----------------------|---------------|----------------|---------------|----------------|-------------------|------------|---------------|----------------|----------|-----------|---------------|------------|-----|
| 06                    | Glass crack    | <p>Symbols :</p> <p>x: Chip length      y: Chip width      z: Chip thickness<br/>           k: Seal width      t: Glass thickness      a: LCD side length<br/>           L: Electrode pad length</p> <p>6.2 Protrusion over terminal :</p> <p>6.2.1 Chip on electrode pad :</p>  <table border="1" data-bbox="379 862 1300 958"> <tr> <td>y: Chip width</td> <td>x: Chip length</td> <td>z: Chip thickness</td> </tr> <tr> <td><math>y \leq 0.5\text{mm}</math></td> <td><math>x \leq 1/8a</math></td> <td><math>0 &lt; z \leq t</math></td> </tr> </table> <p>6.2.2 Non-conductive portion:</p>  <table border="1" data-bbox="450 1344 1276 1456"> <tr> <td>y: Chip width</td> <td>x: Chip length</td> <td>z: Chip thickness</td> </tr> <tr> <td><math>y \leq L</math></td> <td><math>x \leq 1/8a</math></td> <td><math>0 &lt; z \leq t</math></td> </tr> </table> <p>⊙ If the chipped area touches the ITO terminal, over 2/3 of the ITO must remain and be inspected according to electrode terminal specifications.</p> <p>⊙ If the product will be heat sealed by the customer, the alignment mark not be damaged.</p> <p>6.2.3 Substrate protuberance and internal crack.</p>  <table border="1" data-bbox="790 1758 1348 1859"> <tr> <td>y: width</td> <td>x: length</td> </tr> <tr> <td><math>y \leq 1/3L</math></td> <td><math>x \leq a</math></td> </tr> </table> | y: Chip width  | x: Chip length    | z: Chip thickness | $y \leq 0.5\text{mm}$ | $x \leq 1/8a$ | $0 < z \leq t$ | y: Chip width | x: Chip length | z: Chip thickness | $y \leq L$ | $x \leq 1/8a$ | $0 < z \leq t$ | y: width | x: length | $y \leq 1/3L$ | $x \leq a$ | 2.5 |
|                       |                | y: Chip width  | x: Chip length | z: Chip thickness |                   |                       |               |                |               |                |                   |            |               |                |          |           |               |            |     |
| $y \leq 0.5\text{mm}$ | $x \leq 1/8a$  | $0 < z \leq t$   |                |                   |                   |                       |               |                |               |                |                   |            |               |                |          |           |               |            |     |
| y: Chip width         | x: Chip length | z: Chip thickness  |                |                   |                   |                       |               |                |               |                |                   |            |               |                |          |           |               |            |     |
| $y \leq L$            | $x \leq 1/8a$  | $0 < z \leq t$   |                |                   |                   |                       |               |                |               |                |                   |            |               |                |          |           |               |            |     |
| y: width              | x: length      |  |                |                   |                   |                       |               |                |               |                |                   |            |               |                |          |           |               |            |     |
| $y \leq 1/3L$         | $x \leq a$     |  |                |                   |                   |                       |               |                |               |                |                   |            |               |                |          |           |               |            |     |

| NO | Item               | Criterion  | AQL  |
|----|--------------------|--|--|
| 07 | Cracked glass      | The LCD with extensive crack is not acceptable.  | 2.5  |
| 08 | Backlight elements | 8.1 Illumination source flickers when lit.<br>8.2 Spots or scratched that appear when lit must be judged. Using LCD spot, lines and contamination standards.<br>8.3 Backlight doesn't light or color wrong.  | 0.65<br>2.5<br>0.65  |
| 09 | Bezel              | 9.1 Bezel may not have rust, be deformed or have fingerprints, stains or other contamination.<br>9.2 Bezel must comply with job specifications.  | 2.5<br>0.65  |
| 10 | PCB · COB          | 10.1 COB seal may not have pinholes larger than 0.2mm or contamination.<br>10.2 COB seal surface may not have pinholes through to the IC.<br>10.3 The height of the COB should not exceed the height indicated in the assembly diagram.<br>10.4 There may not be more than 2mm of sealant outside the seal area on the PCB. And there should be no more than three places.<br>10.5 No oxidation or contamination PCB terminals.<br>10.6 Parts on PCB must be the same as on the production characteristic chart. There should be no wrong parts, missing parts or excess parts.<br>10.7 The jumper on the PCB should conform to the product characteristic chart.<br>10.8 If solder gets on bezel tab pads, LED pad, zebra pad or screw hold pad, make sure it is smoothed down.<br>10.9 The Scraping testing standard for Copper Coating of PCB<br><br>$X * Y \leq 2\text{mm}^2$ | 2.5<br>2.5<br>0.65<br>2.5<br>2.5<br>0.65<br>0.65<br>2.5<br>2.5 |
| 11 | Soldering          | 11.1 No un-melted solder paste may be present on the PCB.<br>11.2 No cold solder joints, missing solder connections, oxidation or icicle.<br>11.3 No residue or solder balls on PCB.<br>11.4 No short circuits in components on PCB.   | 2.5<br>2.5<br>2.5<br>0.65                                      |

| NO | Item               | Criterion   | AQL  |
|----|--------------------|---|------|
| 12 | General appearance | 12.1 No oxidation, contamination, curves or, bends on interface Pin (OLB) of TCP.   | 2.5  |
|    |                    | 12.2 No cracks on interface pin (OLB) of TCP.   | 0.65 |
|    |                    | 12.3 No contamination, solder residue or solder balls on product.   | 2.5  |
|    |                    | 12.4 The IC on the TCP may not be damaged, circuits.  | 2.5  |
|    |                    | 12.5 The uppermost edge of the protective strip on the interface pin must be present or look as if it cause the interface pin to sever. | 2.5  |
|    |                    | 12.6 The residual rosin or tin oil of soldering (component or chip component) is not burned into brown or black color.                  | 2.5  |
|    |                    | 12.7 Sealant on top of the ITO circuit has not hardened.  | 0.65 |
|    |                    | 12.8 Pin type must match type in specification sheet.   | 0.65 |
|    |                    | 12.9 LCD pin loose or missing pins.   | 0.65 |
|    |                    | 12.10 Product packaging must the same as specified on packaging specification sheet.  | 0.65 |
|    |                    | 12.11 Product dimension and structure must conform to product specification sheet.  | 0.65 |
|    |                    | 12.12 Visual defect outside of VA is not considered to be rejection.  | 0.65 |

## 11. Precautions in use of LCD Modules

- (1) Avoid applying excessive shocks to the module or making any alterations or modifications to it.
- (2) Don't make extra holes on the printed circuit board, modify its shape or change the components of LCD module.
- (3) Don't disassemble the LCM.
- (4) Don't operate it above the absolute maximum rating.
- (5) Don't drop, bend or twist LCM.
- (6) Soldering: only to the I/O terminals.
- (7) Storage: please storage in anti-static electricity container and clean environment.
- (8) Raystar have the right to change the passive components, including R3,R6 & backlight adjust resistors. (Resistors, capacitors and other passive components will have different appearance and color caused by the different supplier.)
- (9) Raystar have the right to change the PCB Rev. (In order to satisfy the supplying stability, management optimization and the best product performance...etc, under the premise of not affecting the electrical characteristics and external dimensions, Raystar have the right to modify the version.)
- (10) To ensure the stability of the display screen, please apply screen saver after showing 30 mins of fixed display content.

## 12. Material List of Components for RoHs

1. RAYSTAR Optronics. Inc. hereby declares that all of or part of products (with the mark “#”in code), including, but not limited to, the LCM, accessories or packages, manufactured and/or delivered to your company (including your subsidiaries and affiliated company) directly or indirectly by our company (including our subsidiaries or affiliated companies) do not intentionally contain any of the substances listed in all applicable EU directives and regulations, including the following substances.

Exhibit A : The Harmful Material List

| Material   | (Cd)    | (Pb)     | (Hg)     | (Cr6+)   | PBBs     | PBDEs    |
|--|---------|----------|----------|----------|----------|----------|
| Limited Value                                    | 100 ppm | 1000 ppm | 1000 ppm | 1000 ppm | 1000 ppm | 1000 ppm |
| Above limited value is set up according to RoHS. |         |          |          |          |          |          |

2. Process for RoHS requirement : (only for RoHS inspection)

(1) Use the Sn/Ag/Cu soldering surface ; the surface of Pb-free solder is rougher than we used before.

(2) Heat-resistance temp. :

Reflow : 250°C, 30 seconds Max. ;

Connector soldering wave or hand soldering : 320°C, 10 seconds max.

(3) Temp. curve of reflow, max. Temp. : 235±5°C ;

Recommended customer's soldering temp. of connector : 280°C, 3 seconds.

## 13.Recommendable Storage

1. Place the panel or module in the temperature  $25^{\circ}\text{C}\pm 5^{\circ}\text{C}$  and the humidity below 65% RH
2. Do not place the module near organics solvents or corrosive gases.
3. Do not crush, shake, or jolt the module.

RAYSTAR OPTRONICS



**LCM Sample Estimate Feedback Sheet**

**Module Number :** \_\_\_\_\_

**1 、 Panel Specification :**

|                            |                               |                                     |
|----------------------------|-------------------------------|-------------------------------------|
| 1. Panel Type :            | <input type="checkbox"/> Pass | <input type="checkbox"/> NG , _____ |
| 2. View Direction :        | <input type="checkbox"/> Pass | <input type="checkbox"/> NG , _____ |
| 3. Numbers of Dots :       | <input type="checkbox"/> Pass | <input type="checkbox"/> NG , _____ |
| 4. View Area :             | <input type="checkbox"/> Pass | <input type="checkbox"/> NG , _____ |
| 5. Active Area :           | <input type="checkbox"/> Pass | <input type="checkbox"/> NG , _____ |
| 6. Operating Temperature : | <input type="checkbox"/> Pass | <input type="checkbox"/> NG , _____ |
| 7. Storage Temperature :   | <input type="checkbox"/> Pass | <input type="checkbox"/> NG , _____ |
| 8. Others :                | _____                         |                                     |

**2 、 Mechanical Specification :**

|                             |                               |                                     |
|-----------------------------|-------------------------------|-------------------------------------|
| 1. PCB Size :               | <input type="checkbox"/> Pass | <input type="checkbox"/> NG , _____ |
| 2. Frame Size :             | <input type="checkbox"/> Pass | <input type="checkbox"/> NG , _____ |
| 3. Material of Frame :      | <input type="checkbox"/> Pass | <input type="checkbox"/> NG , _____ |
| 4. Connector Position :     | <input type="checkbox"/> Pass | <input type="checkbox"/> NG , _____ |
| 5. Fix Hole Position :      | <input type="checkbox"/> Pass | <input type="checkbox"/> NG , _____ |
| 6. Backlight Position :     | <input type="checkbox"/> Pass | <input type="checkbox"/> NG , _____ |
| 7. Thickness of PCB :       | <input type="checkbox"/> Pass | <input type="checkbox"/> NG , _____ |
| 8. Height of Frame to PCB : | <input type="checkbox"/> Pass | <input type="checkbox"/> NG , _____ |
| 9. Height of Module :       | <input type="checkbox"/> Pass | <input type="checkbox"/> NG , _____ |
| 10. Others :                | <input type="checkbox"/> Pass | <input type="checkbox"/> NG , _____ |

**3 、 Relative Hole Size :**

|                             |                               |                                     |
|-----------------------------|-------------------------------|-------------------------------------|
| 1. Pitch of Connector :     | <input type="checkbox"/> Pass | <input type="checkbox"/> NG , _____ |
| 2. Hole size of Connector : | <input type="checkbox"/> Pass | <input type="checkbox"/> NG , _____ |
| 3. Mounting Hole size :     | <input type="checkbox"/> Pass | <input type="checkbox"/> NG , _____ |
| 4. Mounting Hole Type :     | <input type="checkbox"/> Pass | <input type="checkbox"/> NG , _____ |
| 5. Others :                 | <input type="checkbox"/> Pass | <input type="checkbox"/> NG , _____ |

**4 、 Backlight Specification :**

|   |                               |                                     |
|---|-------------------------------|-------------------------------------|
| 1. B/L Type :                                     | <input type="checkbox"/> Pass | <input type="checkbox"/> NG , _____ |
| 2. B/L Color :                                    | <input type="checkbox"/> Pass | <input type="checkbox"/> NG , _____ |
| 3. B/L Driving Voltage (Reference for LED Type) : | <input type="checkbox"/> Pass | <input type="checkbox"/> NG , _____ |
| 4. B/L Driving Current :                          | <input type="checkbox"/> Pass | <input type="checkbox"/> NG , _____ |
| 5. Brightness of B/L :                            | <input type="checkbox"/> Pass | <input type="checkbox"/> NG , _____ |
| 6. B/L Solder Method :                            | <input type="checkbox"/> Pass | <input type="checkbox"/> NG , _____ |
| 7. Others :                                       | <input type="checkbox"/> Pass | <input type="checkbox"/> NG , _____ |

>> **Go to page 2** <<

Module Number : \_\_\_\_\_

**5 · Electronic Characteristics of Module :**

|                             |                               |                                     |
|-----------------------------|-------------------------------|-------------------------------------|
| 1.Input Voltage :           | <input type="checkbox"/> Pass | <input type="checkbox"/> NG , _____ |
| 2.Supply Current :          | <input type="checkbox"/> Pass | <input type="checkbox"/> NG , _____ |
| 3.Driving Voltage for LCD : | <input type="checkbox"/> Pass | <input type="checkbox"/> NG , _____ |
| 4.Contrast for LCD :        | <input type="checkbox"/> Pass | <input type="checkbox"/> NG , _____ |
| 5.B/L Driving Method :      | <input type="checkbox"/> Pass | <input type="checkbox"/> NG , _____ |
| 6.Negative Voltage Output : | <input type="checkbox"/> Pass | <input type="checkbox"/> NG , _____ |
| 7.Interface Function :      | <input type="checkbox"/> Pass | <input type="checkbox"/> NG , _____ |
| 8.LCD Uniformity :          | <input type="checkbox"/> Pass | <input type="checkbox"/> NG , _____ |
| 9.ESD test :                | <input type="checkbox"/> Pass | <input type="checkbox"/> NG , _____ |
| 10.Others :                 | <input type="checkbox"/> Pass | <input type="checkbox"/> NG , _____ |

**6 · Summary :**

Sales signature : \_\_\_\_\_

Customer Signature : \_\_\_\_\_

Date : / /