

Display Elektronik GmbH

DATA SHEET

LCD MODULE

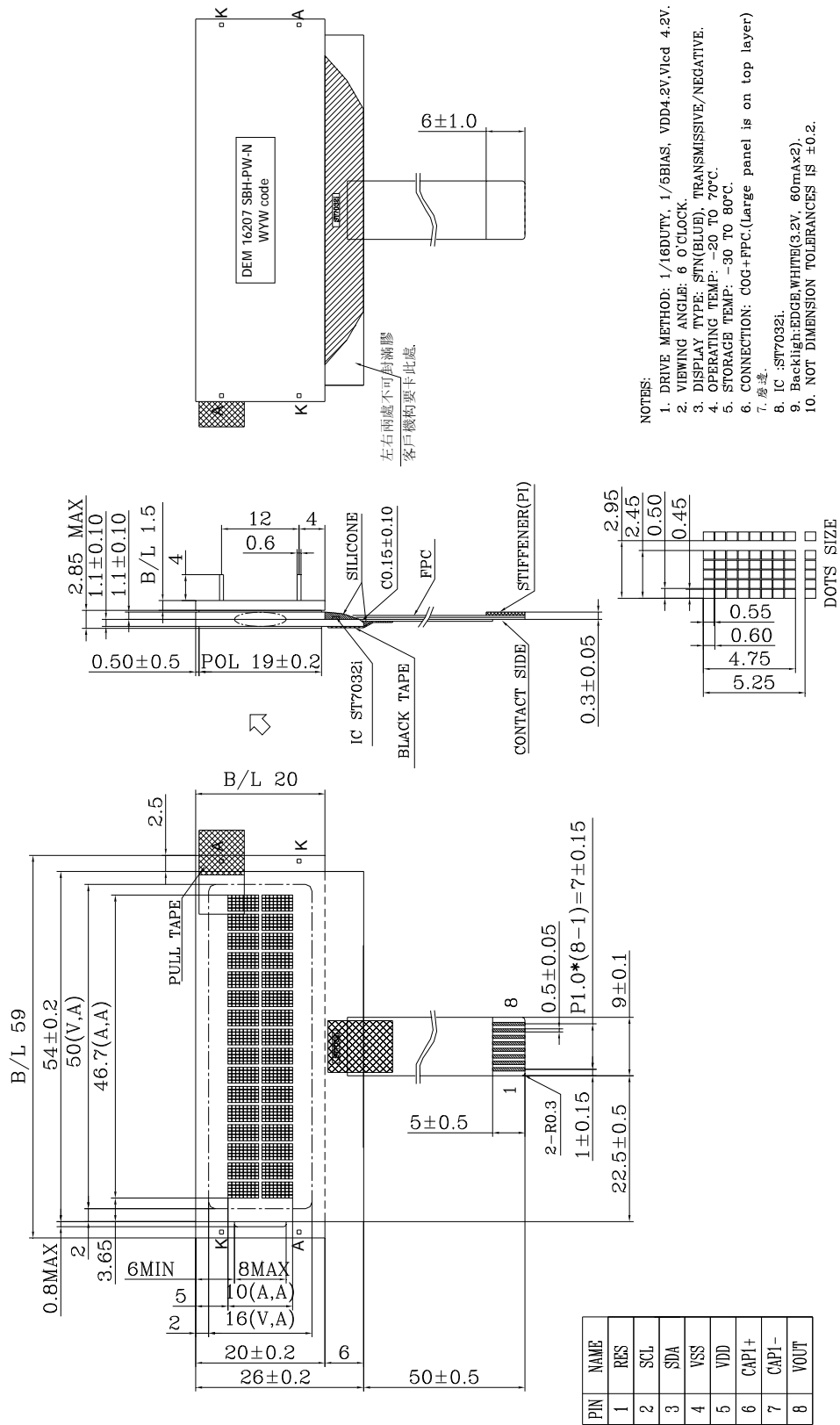
DEM 16207 SBH-PW-N

Product Specification

Ver.: 1

21.02.2013

LCM Dimension



CONTENTS

- 1. Precautions in use of LCM**
- 2. Mechanical Specifications**
- 3. Absolute Maximum Ratings**
- 4. Backlight Characteristic**
- 5. DC Electrical Characteristics**
- 6. Optical Characteristics**
- 7. Interface Pin Description**
- 8. Reliability**
- 9. Timing Characteristics**
- 10. Display Command**
- 11. Character Pattern**

1. Precautions in use of LCM

1.1 Use Modules

1. When modules switch on or off, after accessing positive supply power with 5 ± 0.5 voltage, then input signal levels, if signal levels input before supply power becomes stable or switches off, IC circuits off, modules will be damaged, as a result modules will be damaged.
2. Dot matrix modules are high path –number LCDs, they are largely related to the contrast, view angle, driving voltage when displaying, so you should adjust it to get best contrast and view angle, if it is too high, not only displays are effected, but also let life shorted.
3. When using under regulated working temperature below, the display responsiveness it too slow, when using under regulated temperature above, whole display surface turns dark, this is not damaged, when the temperature returns normal, all displays become normal

1.2 Module storage

1. Storing temperature: $-30\sim+80^{\circ}\text{C}$
2. Place in dark sites to avoid strong lights
3. Don't place other thing on their surfaces
4. Packaged in polyer materials (with anti-static electricity layers) and sealed

1.3 Soldering

1. Iron head temperature: $280\pm 10^{\circ}\text{C}$
2. Soldering time: $<3-4\text{S}$
3. Soldering material: eutectic nature, low melting point
4. Don't use acid solder
5. Soldering don't repeat above 3 times

2. Mechanical Specifications

Item	Value	Unit
Number of Characters	2x16	Character
Character Format	5 x 8 Dots	-
Character Pitch	2.95 x 5.25	mm
Character Size	2.45 x 4.75	mm
Dot Size	0.45 x 0.55	mm
Dot Pitch	0.50 x 0.60	mm
Module Dimension	54.00 x 26.00 x 2.85 (max.)	mm
Active Area	46.70 x 10.00	mm
Viewing Area	50.00 x 16.00	mm
LCD Type	STN-BLUE TRANSMISSIVE/NEGATIVE	-
Controller	ST7032I	-
Duty	1/16	-
Bias	1/5	-
Viewing Direction	6 O'clock	-
Backlight	EDGE, WHITE	-
Backlight dimension	59.00 x 20.00 x 1.50	-
Module	No Connector	-

3. Absolute Maximum Ratings

Item	Symbol	Conditions	Min.	Max.	Unit
Power Supply Voltage	VDD	-	-0.3	6.0	V
Input Voltage Range	VIN	-	-0.3	VDD+0.3	V
Operating Temperature	TOPR	-	-20	70	°C
Storage Temperature	TSTG	-	-30	80	°C
Static Electricity	Be sure that you are grounded when handing LCM				

Notes: 1. Exceeding the absolute maximum ratings may cause permanent damage to the device. Functional operation under these conditions is not implied.

4. Backlight Characteristic

4.1 Electrical / Optical Specifications

Ta = 25°C

Item	Symbol	Condition	Min.	Typ.	Max.	Unit
Forward Voltage	V _f	If=60mA _{x2} , White	3.0	3.2	3.4	V
LED *Luminous Intensity	I _v	If=60mA _{x2} , White	280	350	--	Cd/m ²
Chromaticity Coordinate	x	If=60mA _{x2} , White	0.26	0.28	0.30	
	y		0.27	0.29	0.31	
Reverse Current	I _R	VR=5V, White	--	--	0.12	mA

Note: * Measured at the bare LED Backlight unit.

4.2 LED Maximum Operating Range

Item	Symbol	White	Unit
Power Dissipation	P _{AD}	510	mW
Forward Current	I _F	75x2	mA
Reverse Voltage	V _R	5	V

5. DC Electrical Characteristics (Without LED Backlight)

(TA = -30°C to 85°C, VDD = 2.7 V – 4.5 V)

Symbol	Characteristics	Test Condition	Min.	Typ.	Max.	Unit
VDD	Operating Voltage	-	2.7	-	4.5	V
V _{LCD}	LCD Voltage	V ₀ -V _{SS}	2.7	-	7.0	V
I _{CC}	Power Supply Current	VDD=3.0V (Use internal booster/follower circuit)	-	160	230	uA
V _{IH1}	Input High Voltage (Except OSC1)	-	1.9	-	VDD	V
V _{IL1}	Input Low Voltage (Except OSC1)	-	-0.3	-	0.8	V
V _{IH2}	Input High Voltage (OSC1)	-	0.7 VDD	-	VDD	V
V _{IL2}	Input Low Voltage (OSC1)	-	-	-	0.2 VDD	V
V _{OH1}	Output High Voltage (DB0 - DB7)	I _{OH} = -1.0mA	0.75 VDD	-	-	V
V _{OL1}	Output Low Voltage (DB0 - DB7)	I _{OL} = 1.0mA	-	-	0.8	V
V _{OH2}	Output High Voltage (Except DB0 - DB7)	I _{OH} = -0.04mA	0.8 VDD	-	VDD	V
V _{OL2}	Output Low Voltage (Except DB0 - DB7)	I _{OL} = 0.04mA	-	-	0.2 VDD	V
R _{COM}	Common Resistance	V _{LCD} = 4V, I _d = 0.05mA	-	2	20	KΩ
R _{SEG}	Segment Resistance	V _{LCD} = 4V, I _d = 0.05mA	-	2	30	KΩ
I _{LEAK}	Input Leakage Current	V _{IN} = 0V to VDD	-1	-	1	μA
I _{PUP}	Pull Up MOS Current	VDD = 3V	20	30	40	μA
f _{OSC}	Oscillation frequency	VDD = 3V, 1/17duty	350	540	1100	KHz

(TA = -30°C to 85°C, VDD = 4.5 V - 5.5 V)

Symbol	Characteristics	Test Condition	Min.	Typ.	Max.	Unit
VDD	Operating Voltage	-	4.5	-	5.5	V
V _{LCD}	LCD Voltage	V ₀ -V _{ss}	2.7	-	7.0	V
I _{CC}	Power Supply Current	VDD=5.0V (Use internal booster/follower circuit)	-	240	340	uA
V _{IH1}	Input High Voltage (Except OSC1)	-	2.7	-	VDD	V
V _{IL1}	Input Low Voltage (Except OSC1)	-	-0.3	-	0.8	V
V _{IH2}	Input High Voltage (OSC1)	-	0.7 VDD	-	VDD	V
V _{IL2}	Input Low Voltage (OSC1)	-	-	-	1.0	V
V _{OH1}	Output High Voltage (DB0 - DB7)	I _{OH} = -1.0mA	3.8	-	VDD	V
V _{OL1}	Output Low Voltage (DB0 - DB7)	I _{OL} = 1.0mA	-	-	0.8	V
V _{OH2}	Output High Voltage (Except DB0 - DB7)	I _{OH} = -0.04mA	0.8 VDD	-	VDD	V
V _{OL2}	Output Low Voltage (Except DB0 - DB7)	I _{OL} = 0.04mA	-	-	0.2 VDD	V
R _{COM}	Common Resistance	V _{LCD} = 4V, I _d = 0.05mA	-	2	20	KΩ
R _{SEG}	Segment Resistance	V _{LCD} = 4V, I _d = 0.05mA	-	2	30	KΩ
I _{LEAK}	Input Leakage Current	V _{IN} = 0V to VDD	-1	-	1	μA
I _{PUP}	Pull Up MOS Current	VDD = 5V	65	95	125	μA
f _{OSC}	Oscillation frequency	VDD = 5V, 1/17duty	350	540	1100	KHz

6. Optical Characteristics

1/16 duty, 1/5 bias, V_{lcd}=4.2V,

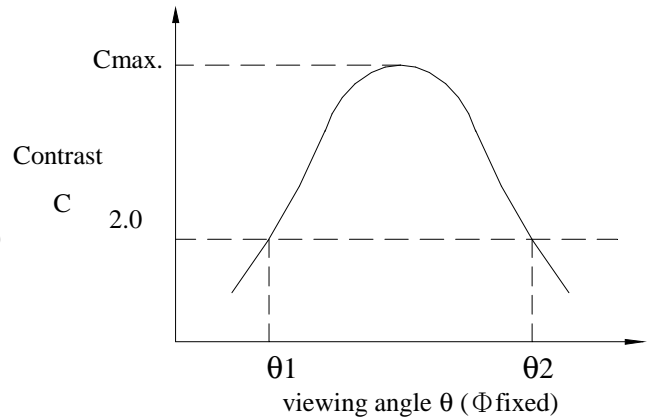
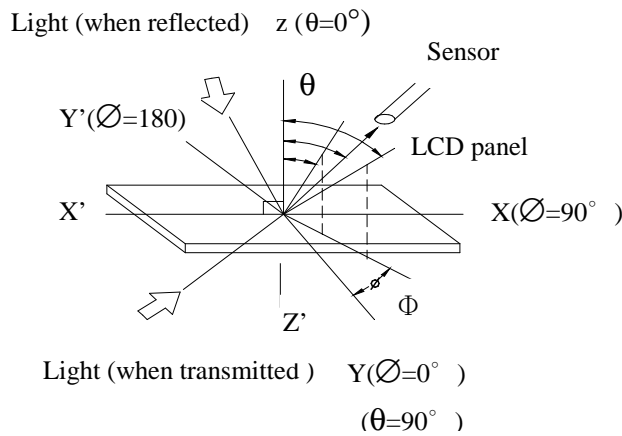
T_a=25°C

Item	Symbol	Conditions	Min.	Typ.	Max	Reference
Driving Voltage	V _{lcd} =VDD-VO		3.9	4.2	4.5	V
	V _{lcd}	-20°C	4.06	4.36	4.66	V
		+25°C	3.9	4.20	4.5	V
		+70°C	3.79	4.09	4.39	V
Viewing Angle	θ	C≥2.0, Ø=0°C	30°	-	-	Notes 1 & 2
Contrast	C	θ=5°, Ø=0°	3.0	-	-	Note 3
Response Time(rise)	ton	θ=5°, Ø=0°	-	-	240ms	Note 4
Response Time(fall)	toff	θ=5°, Ø=0°	-	-	220ms	Note 4

Note 1: Definition of angles θ and Ø

Note 2: Definition of viewing angles θ₁ and θ₂

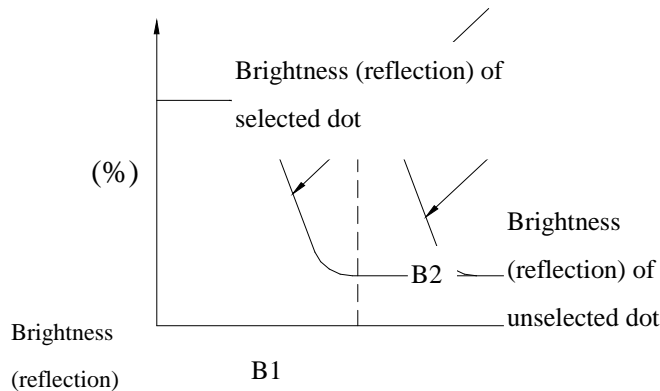
Ø2

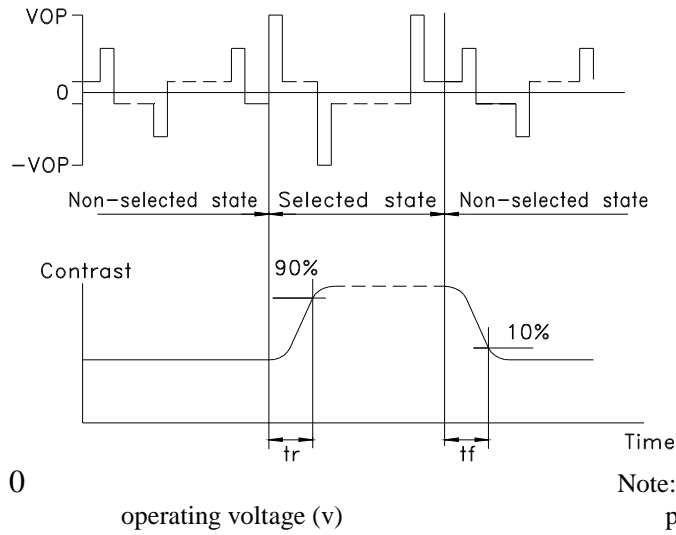


Note 3: Definition of contrast C

Note 4: Definition of response time

$$C = \frac{\text{Brightness (reflection) of unselected dot (B2)}}{\text{Brightness (reflection) of selected dot (B1)}}$$





Note: Measured with a transmissive LCD panel which is displayed 1 cm²

frequency

V_{OPR} : Operating voltage

f_{FRM} : Frame

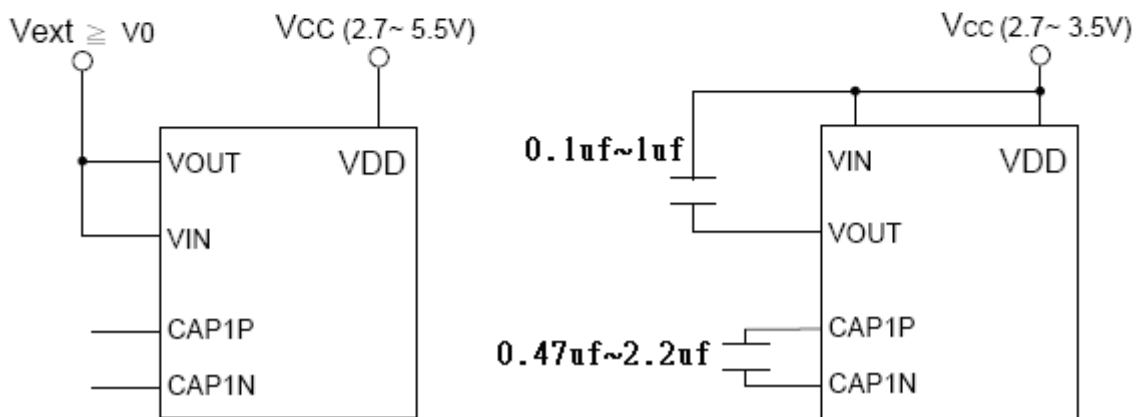
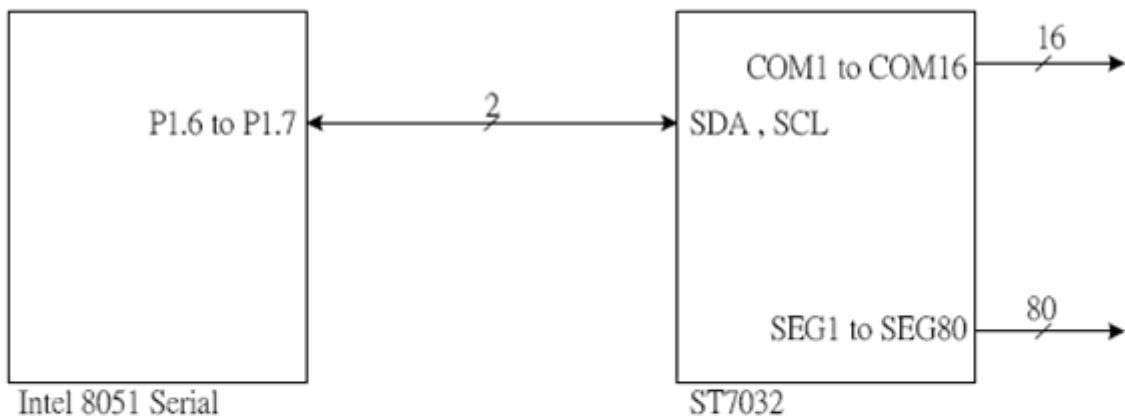
Response time (fall)

t_{ON} : Response time (rise) t_{OFF} :

7. Interface Pin Description

NO.	Symbol	Function
1	RST	Reset Signal Input(Active Low)
2	SCL	Serial Clock Input
3	SDA	Serial Data I/O
4	VSS	Ground
5	VDD	Power Supply
6	CAP1+	For voltage booster circuit(VDD-VSS) External capacitor about 0.1u~4.7uf
7	CAP1-	
8	Vout	DC/DC voltage converter. Connect a capacity between this terminal and VDD when the built-in booster is used.

Intel 8051 interface(I²C)



8. RELIABILITY

8.1 Reliability

Test item	Test condition	Evaluation and assessment
Operation at high temperature and humidity	40 °C±2 °C 90%RH for 500hours	No abnormalities in functions* and appearance**
Operation at high temperature	60 °C±2 °C for 500 hours	No abnormalities in functions* and appearance**
Heat shock	-20± ~ +60 °C Left for 1 hour at each temperature, transition time 5 min, repeated 10times	No abnormalities in functions* and appearance**
Low temperature	-20±2 °C for 500 hours	No abnormalities in functions* and appearance**
Vibration	Sweep for 1 min at 10 Hz, 55Hz, 10Hz, amplitude 1.5mm 2 hrs each in the X,Y and Z directions	No abnormalities in functions* and appearance**
Drop shock	Dropped onto a board from a height of 10cm	No abnormalities in functions* and appearance**

* Dissipation current, contrast and display functions

** Polarizing filter deterioration, other appearance defects

8.2 Liquid crystal panel service life

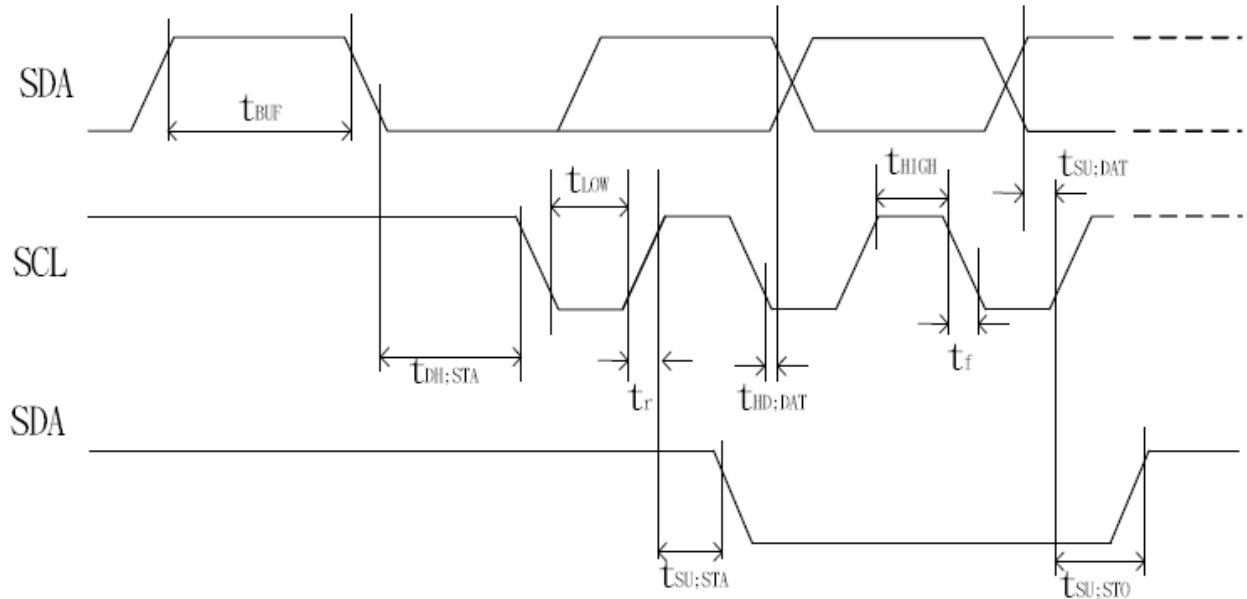
100,000 hours minimum at 25 °C±10 °C

8.3 Definition of panel service life

- l Contrast becomes 30% of initial value
- l Current consumption becomes three times higher than initial value
- l Remarkable alignment deterioration occurs in LCD cell layer
- l Unusual operation occurs in display functions

9. Timing Characteristics

- I2C interface



(Ta = -30°C to 85°C)

Item	Signal	Symbol	Condition	VDD=2.7 to 4.5V Rating		VDD=4.5 to 5.5V Rating		Units
				Min.	Max.	Min.	Max.	
SCL clock frequency	SCL	f_{SCLK}	—	DC	400	DC	400	KHz
SCL clock low period		t_{LOW}	—	1.3	—	1.3	—	us
SCL clock high period		t_{HIGH}	—	0.6	—	0.6	—	us
Data set-up time	SI	$t_{SU:DAT}$	—	180	—	100	—	ns
Data hold time		$t_{HD:DAT}$	—	0	0.9	0	0.9	us
SCL,SDA rise time	SCL, SDA	t_r	—	20+0.1Cb	300	20+0.1Cb	300	ns
SCL,SDA fall time		t_f	—	20+0.1Cb	300	20+0.1Cb	300	
Capacitive load represent by each bus line		C_b	—	—	400	—	400	pf
Setup time for a repeated START condition	SI	$t_{SU:STA}$	—	0.6	—	0.6	—	us
Start condition hold time		$t_{HD:STA}$	—	0.6	—	0.6	—	us
Setup time for STOP condition		$t_{SU:STO}$	—	0.6	—	0.6	—	us
Bus free time between a Stop and START condition	SCL	t_{BUF}	—	1.3	—	1.3	—	us

10. Display Command

➤ instruction table at "Normal mode"

(When "EXT" option pin connect to VDD, the instruction set follow below table)

Instruction	Instruction Code										Description	Instruction Execution Time		
	RS	R/W	DB7	DB6	DB5	DB4	DB3	DB2	DB1	DB0		OSC=380KHz	OSC=540kHz	OSC=700KHz
Clear Display	0	0	0	0	0	0	0	0	0	1	Write "20H" to DDRAM. and set DDRAM address to "00H" from AC	1.08 ms	0.76 ms	0.59 ms
Return Home	0	0	0	0	0	0	0	0	1	x	Set DDRAM address to "00H" from AC and return cursor to its original position if shifted. The contents of DDRAM are not changed.	1.08 ms	0.76 ms	0.59 ms
Entry Mode Set	0	0	0	0	0	0	0	1	I/D	S	Sets cursor move direction and specifies display shift. These operations are performed during data write and read.	26.3 us	18.5 us	14.3 us
Display ON/OFF	0	0	0	0	0	0	1	D	C	B	D=1:entire display on C=1:cursor on B=1:cursor position on	26.3 us	18.5 us	14.3 us
Cursor or Display Shift	0	0	0	0	0	1	S/C	R/L	x	x	S/C and R/L: Set cursor moving and display shift control bit, and the direction, without changing DDRAM data.	26.3 us	18.5 us	14.3 us
Function Set	0	0	0	0	1	DL	N	x	x	x	DL: interface data is 8/4 bits N: number of line is 2/1	26.3 us	18.5 us	14.3 us
Set CGRAM	0	0	0	1	AC5	AC4	AC3	AC2	AC1	AC0	Set CGRAM address in address counter	26.3 us	18.5 us	14.3 us
Set DDRAM address	0	0	1	AC6	AC5	AC4	AC3	AC2	AC1	AC0	Set DDRAM address in address counter	26.3 us	18.5 us	14.3 us
Read Busy flag and address	0	1	BF	AC6	AC5	AC4	AC3	AC2	AC1	AC0	Whether during internal operation or not can be known by reading BF. The contents of address counter can also be read.	0	0	0
Write data to RAM	1	0	D7	D6	D5	D4	D3	D2	D1	D0	Write data into internal RAM (DDRAM/CGRAM)	26.3 us	18.5 us	14.3 us
Read data from RAM	1	1	D7	D6	D5	D4	D3	D2	D1	D0	Read data from internal RAM (DDRAM/CGRAM)	26.3 us	18.5 us	14.3 us

➤ instruction table at “Extension mode”
 (when “EXT” option pin connect to VSS, the instruction set follow below table)

Instruction	Instruction Code										Description	Instruction Execution Time		
	RS	R/W	DB7	DB6	DB5	DB4	DB3	DB2	DB1	DB0		OSC=380KHz	OSC=540kHz	OSC=700KHz
Clear Display	0	0	0	0	0	0	0	0	0	1	Write "20H" to DDRAM. and set DDRAM address to "00H" from AC	1.08 ms	0.76 ms	0.59 ms
Return Home	0	0	0	0	0	0	0	0	1	x	Set DDRAM address to "00H" from AC and return cursor to its original position if shifted. The contents of DDRAM are not changed.	1.08 ms	0.76 ms	0.59 ms
Entry Mode Set	0	0	0	0	0	0	0	1	I/D	S	Sets cursor move direction and specifies display shift. These operations are performed during data write and read.	26.3 us	18.5 us	14.3 us
Display ON/OFF	0	0	0	0	0	0	1	D	C	B	D=1:entire display on C=1:cursor on B=1:cursor position on	26.3 us	18.5 us	14.3 us
Function Set	0	0	0	0	1	DL	N	DH	*0	IS	DL: interface data is 8/4 bits N: number of line is 2/1 DH: double height font IS: instruction table select	26.3 us	18.5 us	14.3 us
Set DDRAM address	0	0	1	AC6	AC5	AC4	AC3	AC2	AC1	AC0	Set DDRAM address in address counter	26.3 us	18.5 us	14.3 us
Read Busy flag and address	0	1	BF	AC6	AC5	AC4	AC3	AC2	AC1	AC0	Whether during internal operation or not can be known by reading BF. The contents of address counter can also be read.	0	0	0
Write data to RAM	1	0	D7	D6	D5	D4	D3	D2	D1	D0	Write data into internal RAM (DDRAM/CGRAM/ICONRAM)	26.3 us	18.5 us	14.3 us
Read data from RAM	1	1	D7	D6	D5	D4	D3	D2	D1	D0	Read data from internal RAM (DDRAM/CGRAM/ICONRAM)	26.3 us	18.5 us	14.3 us

Note * : this bit is for test command , and must always set to “0”

Instruction table 0(IS=0)

Cursor or Display Shift	0	0	0	0	0	1	S/C	R/L	x	x	S/C and R/L: Set cursor moving and display shift control bit, and the direction, without changing DDRAM data.	26.3 us	18.5 us	14.3 us
Set CGRAM	0	0	0	1	AC5	AC4	AC3	AC2	AC1	AC0	Set CGRAM address in address counter	26.3 us	18.5 us	14.3 us

Instruction table 1(IS=1)

Internal OSC frequency	0	0	0	0	0	1	BS	F2	F1	F0	BS=1:1/4 bias BS=0:1/5 bias F2~0: adjust internal OSC frequency for FR frequency.	26.3 us	18.5 us	14.3 us
Set ICON address	0	0	0	1	0	0	AC3	AC2	AC1	AC0	Set ICON address in address counter.	26.3 us	18.5 us	14.3 us
Power/ICON control/Contrast set	0	0	0	1	0	1	Ion	Bon	C5	C4	Ion: ICON display on/off Bon: set booster circuit on/off C5,C4: Contrast set for internal follower mode.	26.3 us	18.5 us	14.3 us
Follower control	0	0	0	1	1	0	Fon	Rab2	Rab1	Rab0	Fon: set follower circuit on/off Rab2~0: select follower amplified ratio.	26.3 us	18.5 us	14.3 us
Contrast set	0	0	0	1	1	1	C3	C2	C1	C0	Contrast set for internal follower mode.	26.3 us	18.5 us	14.3 us

11. Character Pattern

ST7032-0D (ITO option OPR1=0, OPR2=0)

b7-b4 b0-b0	0000	0001	0010	0011	0100	0101	0110	0111	1000	1001	1010	1011	1100	1101	1110	1111		
0000	Replaced By CGRAM Pattern	0	1	2	3	4	5	6	7	8	9	A	B	C	D	E		
0001		F	G	H	I	J	K	L	M	N	O	P	Q	R	S	T	U	
0010		V	W	X	Y	Z	[]	^	_	`	{	}	~	!	"	#	
0011		\$	%	&	'	()	*	+	=	<	>	?@	AB	CD	EF	GH	
0100		HI	JK	LM	NO	OP	QR	ST	UV	WX	YZ	[]	^	_	`	{	
0101		}	~	!	"	#	\$	%	&	'	()	*	+	=	<	>	?@
0110		AB	CD	EF	GH	HI	JK	LM	NO	OP	QR	ST	UV	WX	YZ	[]	^
0111		_	`	{	}	~	!	"	#	\$	%	&	'	()	*	+	=
1000	Replaced By CGRAM Pattern	<	>	?@	AB	CD	EF	GH	HI	JK	LM	NO	OP	QR	ST	UV		
1001		WX	YZ	[]	^	_	`	{	}	~	!	"	#	\$	%	&	
1010		'	()	*	+	=	<	>	?@	AB	CD	EF	GH	HI	JK	LM	
1011		NO	OP	QR	ST	UV	WX	YZ	[]	^	_	`	{	}	~	!	
1100		"	#	\$	%	&	'	()	*	+	=	<	>	?@	AB	CD	
1101		EF	GH	HI	JK	LM	NO	OP	QR	ST	UV	WX	YZ	[]	^	_	
1110		~	!	"	#	\$	%	&	'	()	*	+	=	<	>	?@	
1111		AB	CD	EF	GH	HI	JK	LM	NO	OP	QR	ST	UV	WX	YZ	[]	