

LED LINEAR LIGHTS



LTP series

FEATURES

- _ High reliability LEDs - SAMSUNG (2835)
- _ High luminous efficiency - 110/150lm/W
- _ Color rendering index - Ra>80
- _ Power supply included Non flicker ~100Hz (ENEC certificate)
- _ Extremely strong aluminum body. Prismatic cover
- _ Waterproof rated - IP65
- _ Working temperatures: -20°C -- + 50°C
- _ Ik10
- _ Operation time: >50000h (L90B10)
- _ EMERGENCY battery ~2h internal
- _ Documents: CE, RoHS, EMC, LVD test report
- _ LM-79-08 Certificate
- _ 5 Years Warranty

CONTROL OPTIONS

- _ 1-10V
- _ Dali system

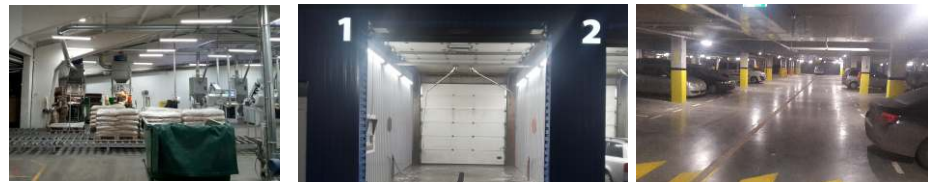
APPLICATIONS

- _ Garage lighting
- _ Factory lighting
- _ Gas station lighting
- _ Warehouse lighting
- _ Food industry lighting

VISUAL APPEARANCE



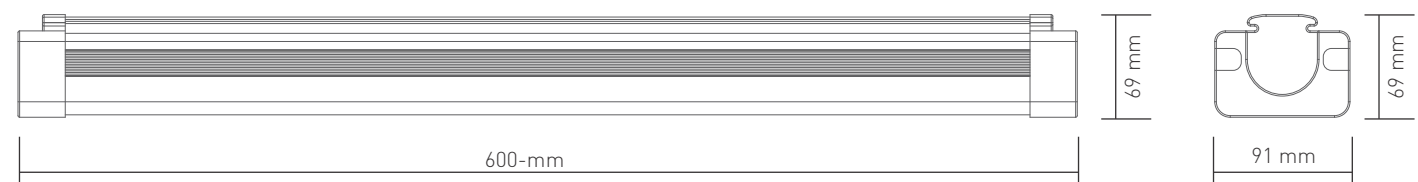
USAGE



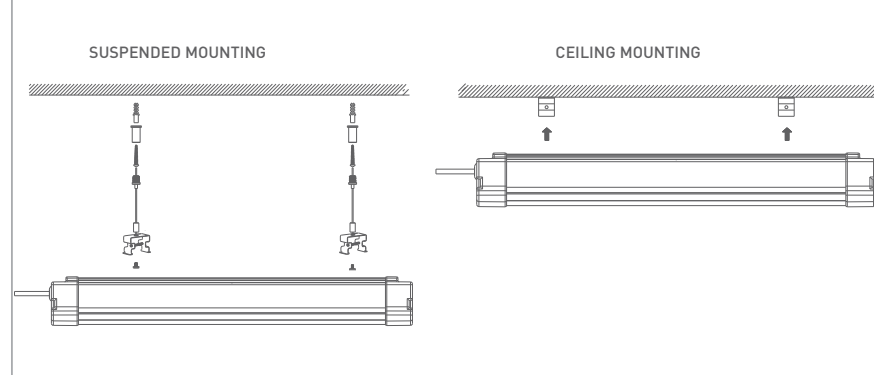
MAIN SPECIFICATIONS

Product code	LTP-30W-600-4000k
Color temperature, K	~4000K
Power, W	30W
Typical luminous flux, lm	4500 Lm
Protection class	Ip65
Optionable	Emergency power supply. Ni-Cd HT battery with autonomous time of 2 hours at 100 % lighting. Charging 24 h.

TECHNICAL DRAWING



MOUNTING OPTIONS



CONNECTION: OPTIONAL

