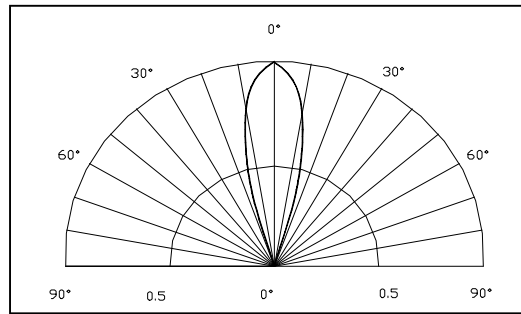


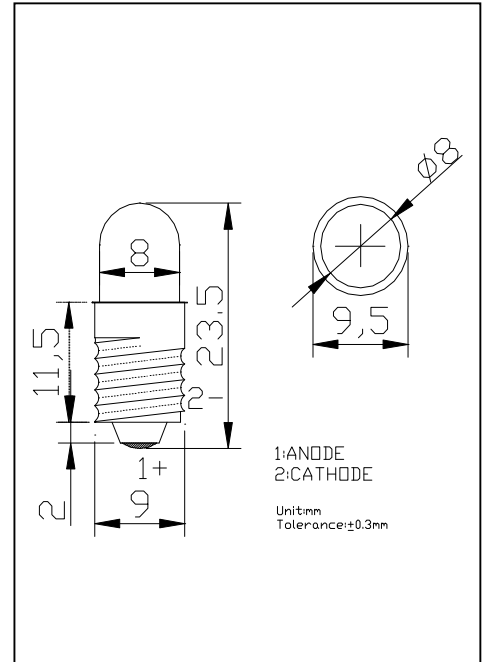
**Screw Base LED Series**

■ Characters

AC or DC Driver Viewing angle 30 deg



■ Package Outline (unit:mm)



■ Absolute Maximum Rating (Ta=25°C)

Item	Symbol	Value	Unit
DC Forward Current	I <sub>F</sub>	20	mA
Pulse Forward Current*	I <sub>FP</sub>	70*1	mA
Power Dissipation	P <sub>D</sub>	90	mW
Operating Temperature	T <sub>opr</sub>	-10~+50	°C
Storage Temperature	T <sub>stg</sub>	-20~+70	°C

\*1 Pulse width Max.10ms Duty ratio max 1/10

■ Electrical And Optical Characteristics (Ta=25°C)

Part Number <sup>*2</sup>	Emitting Color	Lens Type	Forward Voltage AC/DC VF(V)		Chromaticity Coordinates <sup>*4</sup>				Luminous Intensity IV(mcd) <sup>*3</sup>		Reverse Current IR(uA)
			AC	DC	X		Y		Typ.	Max.	
					Min.	Max.	Min.	Max.			
Working Current:IF=20mA											
OBDB-W5DK8B31F	White	Water Clear	4-24	4-24	0.26	0.29	0.25	0.28	18000	25000	<10uA
OBDB-M5DK8B31F	Warm white	Water Clear	4-24	4-24	0.41	0.49	0.37	0.45	9000	12000	<10uA
OBDB-K5DK8B31F	Pink	Water Clear	4-24	4-24	0.34	0.44	0.15	0.25	2100	3000	<10uA

■ Electrical And Optical Characteristics (Ta=25°C)

Part Number <sup>*2</sup>	Emitting Color	Lens Type	Forward Voltage AC/DC VF(V)		Dominant Wavelength wd(nm) <sup>*5</sup>		Luminous Intensity IV(mcd) <sup>*3</sup>		Reverse Current IR(uA)
			AC	DC	Typ.	Max.	Typ.	Max.	
OBDB-B5SA8B31F	Blue	Water Clear	4-24	4-24	470	475	5200	8000	<10
OBDB-G5DA8B31F	Pure Green	Water Clear	4-24	4-24	525	530	20000	25000	<10
OBDB-Y5CA8B31F	Yellow	Water Clear	4-24	4-24	590	595	13000	15000	<10
OBDB-R5CA8B31F	Red	Water Clear	4-24	4-24	625	630	13000	15000	<10

\*2 See table for Luminous Intensity Ranks

\*3 Axial Direction (Luminous Intensity)

\*4 Please refer to CIE 1931 chromaticity diagram.

\*5 Devices are sorted by 5nm wavelength ranges