

# POLAM-ELTA Sp. z o.o.

LED DIODES  
LED CONTROL LAMPS

[www.polamelta.com](http://www.polamelta.com)

e-mail: [polamelta@polamelta.com.pl](mailto:polamelta@polamelta.com.pl)

Jerozolimskie Avenue 202  
02-486 Warsaw, POLAND  
tel. (+48) 22-837-22-07  
fax (+48) 22-207-24-28



## COMPLIANCE DECLARATION NR 12/07/2018

**Producer:** POLAM-ELTA Sp. z o.o.  
Jerozolimskie Avenue 202  
02-486 Warsaw

**KRS Nr:** 0000190790  
**REGON:** 001416903

We declare with a full responsibility that **specialized LED bulbs LW (white) with BA15D cap** we manufacture comply requirements imposed by:

- 1. Low Voltage Directive** **LVD 2014/35/UE**
- 2. Directive on the essential requirements for the restriction of the use of certain hazardous substances in electrical and electronic equipment** **ROHS 2011/65/UE**
- 3. The standard norms (relating to the particular parts of a product):**
  - PN EN 612 36:2002 Works under voltage – bipolar indexes Nn
  - PN-80/E-85050 miniature light bulbs of general use
  - PN-EN 983:2000 miniature light bulbs

**The year of obtaining CE sign: 07**

Warszawa 09-07-2018

.....  
*Place and date of issue*

**PREZES ZARZĄDU**

*Ireneusz Tonder*

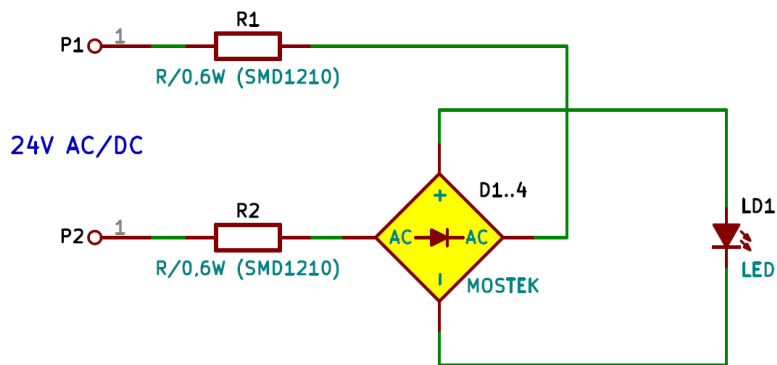
.....  
*Name, position and signature of authorized person*

## 1. Product description :

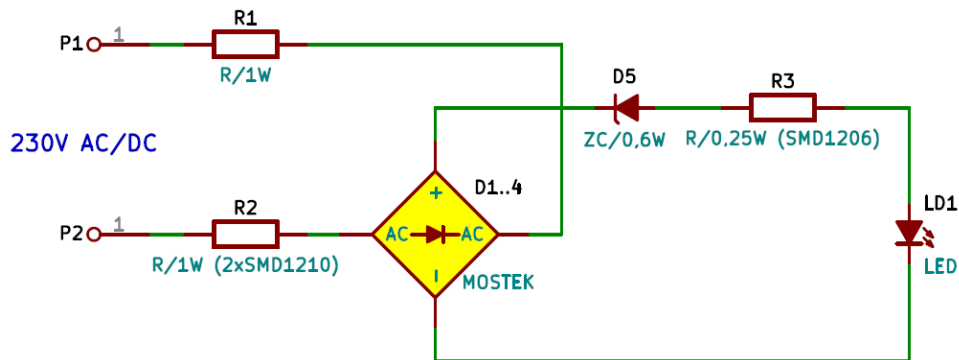
The declaration is concerned about LED signal lamps produced for a number of voltage ranging 24V - 230V-AC/DC (24V; 30V; 48V; 60V; 110V-130V; 220V; 230V). The lamps are designed for electric accessories use.

## 2. Technological documentation:

All the signal LED lamps are based on the following circuitry:  
**Full-wave rectifier (24V-AC/DC)**



### Full-wave rectifier (230V-AC/DC)



For 24V-AC/DC voltage, power consumption is 0,6 W and for 230V-AC/DC, it is 0,9 W.

- specialized LED bulbs BA15D white

