

POLAM-ELTA Sp. z o.o.

LED DIODES

LED CONTROL LAMPS

www.polamelta.com

e-mail: polamelta@polamelta.com.pl

Jerozolimskie Avenue 202

02-486 Warsaw, POLAND

tel. (+48) 22-837-22-07

fax (+48) 22-207-24-28



COMPLIANCE DECLARATION NR 11/07/2018

Producer: POLAM-ELTA Sp. z o.o.
Jerozolimskie Avenue 202
02-486 Warsaw

KRS Nr: 0000190790
REGON: 001416903

We declare with a full responsibility that **specialized LED bulbs with BA15D cap: LB , LG , LO , LR , LY** we manufacture comply requirements imposed by:

- 1. Low Voltage Directive** **LVD 2014/35/UE**
- 2. Directive on the essential requirements for the restriction of the use of certain hazardous substances in electrical and electronic equipment** **ROHS 2011/65/UE**
- 3. The standard norms (relating to the particular parts of a product):**
 - PN EN 612 36:2002 Works under voltage – bipolar indexes Nn
 - PN-80/E-85050 miniature light bulbs of general use
 - PN-EN 983:2000 miniature light bulbs

The year of obtaining CE sign: 07

Warszawa 09-07-2018

.....
Place and date of issue

PREZES ZARZĄDU

Ireneusz Tonder

.....
Name, position and signature of authorized person

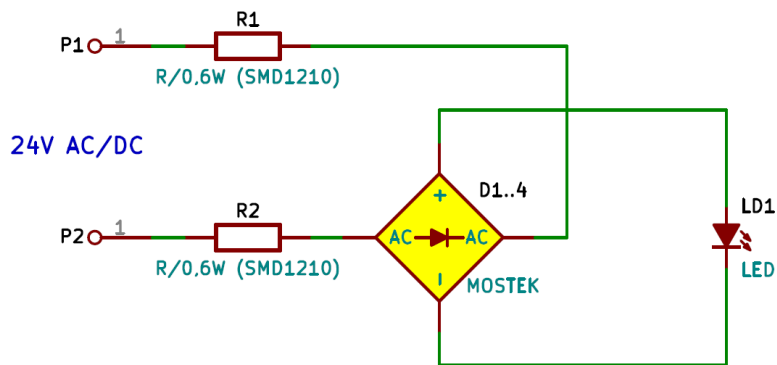
1. Product description :

The declaration is concerned about LED signal lamps produced for a number of voltage ranging 24V - 230V-AC/DC (24 V; 30 V; 48V; 60V; 110V-130V; 220V; 230V). The lamps are designed for electric accessories use.

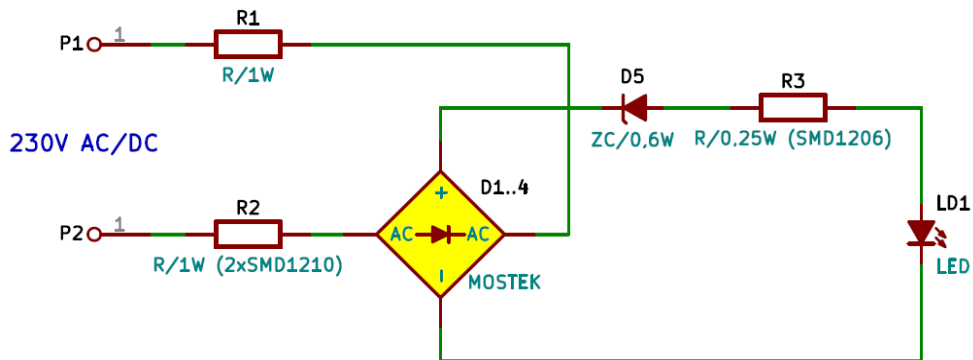
2. Technological documentation:

All the signal LED lamps are based on the following circuitry:

Full-wave rectifier (24V-AC/DC)



Full-wave rectifier (230V-AC/DC)



For 24V-AC/DC voltage, power consumption is 0,6 W and for 230V-AC/DC, it is 0,9 W.

- specialized LED bulbs BA15D color

