

HS5E

Miniature Interlock Switches with Solenoid

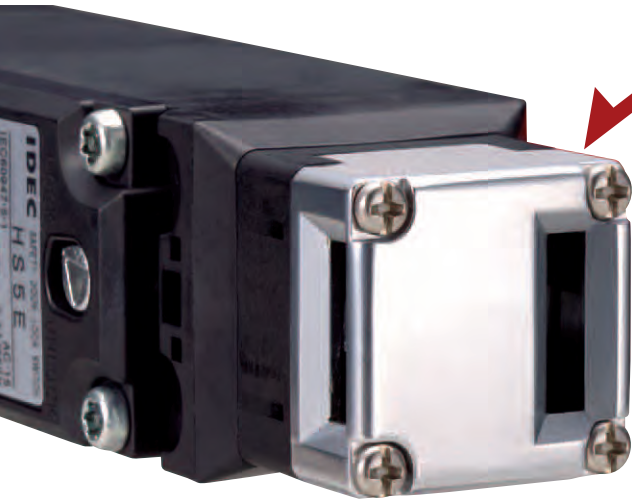


More variations added to the HS5E and HS5B interlock switches.

Ideal for small or specially shaped doors with limited mounting space.

Robust and Durable Metal Head

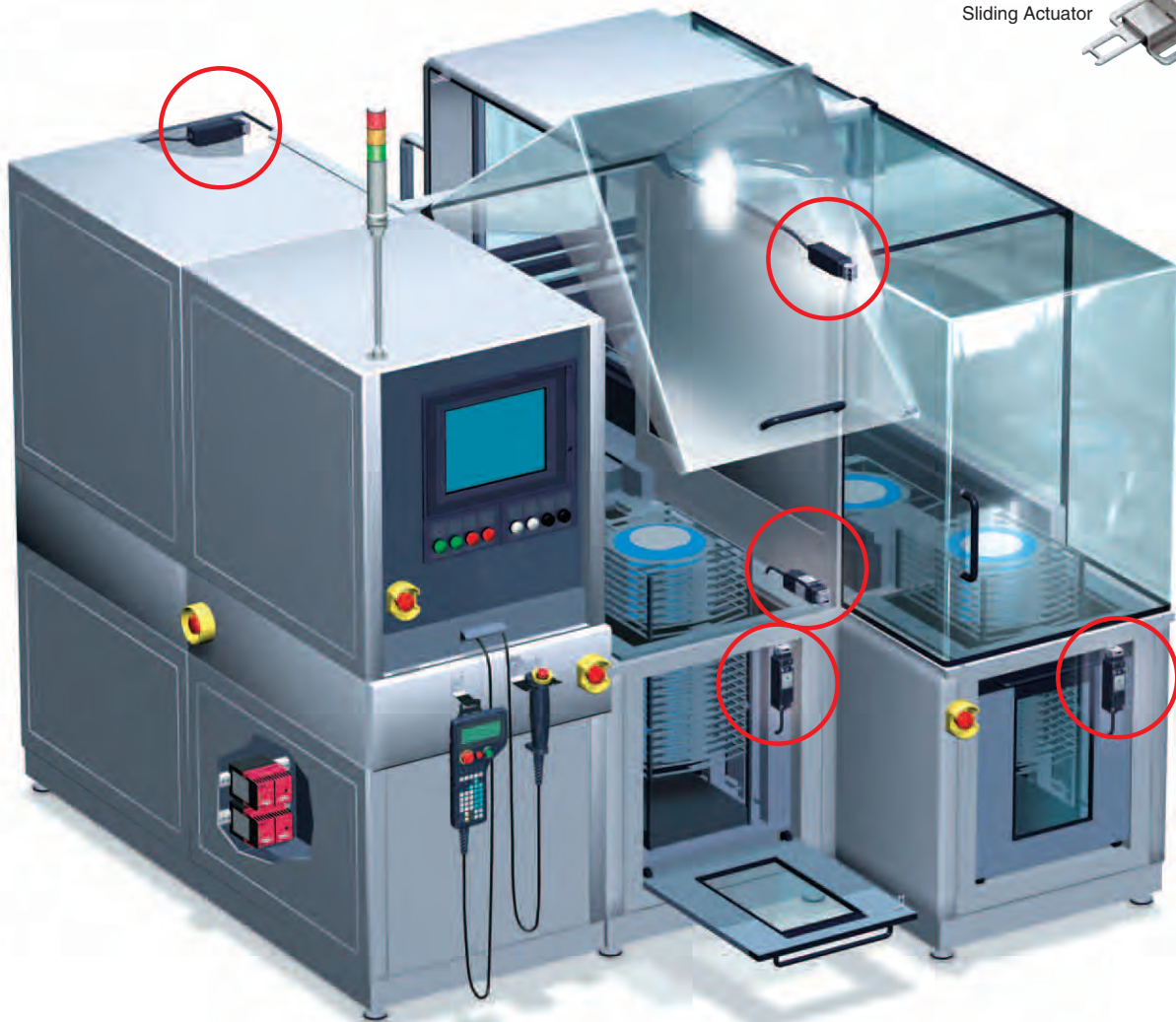
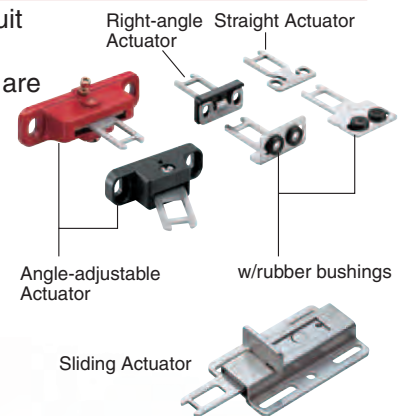
A metal head with two actuator entry slots provides robustness and durability for applications with rattling doors or specially shaped doors.



7 Actuators with 4 variations

An actuator can be selected to suit door shapes and applications.

- Actuators with rubber bushings are ideal for rattling doors.
- Angle-adjustable actuators are suitable for hinged doors.
- Sliding actuators allow for easy installation.





Rear Unlocking Button (patent pending) New

Door lock can be unlocked inside the door by an operator left in the hazardous zone. Two types accommodate various applications.



Circuit Variation New

Dual safety circuit and four-circuit independent output are added. A total of 13 models are available with a variety of circuits.

• Dual safety circuit

Door monitor contacts and lock monitor contacts are duplicated.

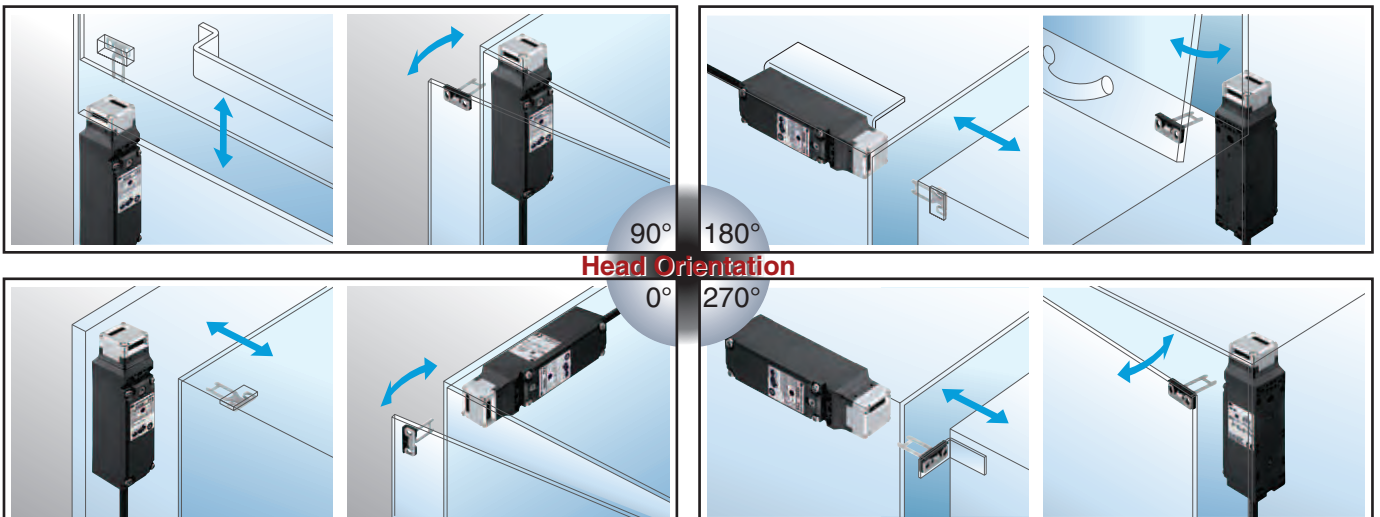
Type Example	Internal Circuit
HS5E-DD4	<p>Main Circuit ①: Blue ⊖ 11 — 12 41 — 42 Blue/White Main Circuit ②: Orange ⊖ 21 — 22 51 — 52 Orange/White</p>

• Four-circuit independent output type

All internal contacts are independent.

Type Example	Internal Circuit
HS5E-VA4	<p>Monitor Circuit: Blue ⊖ 11 — 12 Blue/White Monitor Circuit: Pink 41 — 42 Pink/White Monitor Circuit: Orange 23 — 24 Orange/White Monitor Circuit: Brown 53 — 54 Brown/White</p>

The metal head can be rotated (0°, 90°, 180°, 270°), accommodating 8 different directions of actuator entry.



HS5E Miniature Interlock Switch with Solenoid

Small safety switch with four poles and solenoid.

Ideal for applications in tight spaces.

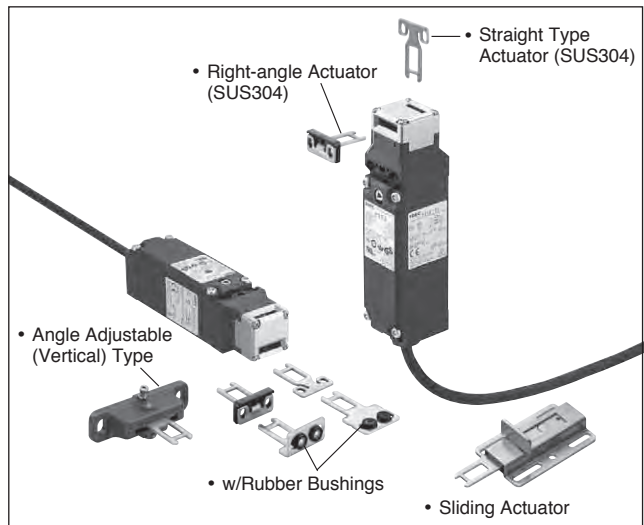
- Compact body. 35 × 40 × 146 mm.
- Rear unlocking button for emergency escape available. Also available is the rear unlocking button kit.
- A variety of circuit types—dual safety circuit and four-circuit independent outputs available.
- Gold-plated contacts.
- Spring lock and solenoid lock types are available.
- The head orientation can be rotated, allowing 8 different actuator entries.
- A metal entry slot ensures high durability.
- An actuator with rubber bushings alleviates the impact of actuator entry into the slot.
- The actuator retention force is 1000N minimum (GS-ET-19).
- Integral cable design minimizes wiring, preventing wiring mistakes.
- LED indicator indicates the solenoid status.
- Double insulation structure.

Spring Lock Type

- Automatically locks the actuator without power applied to the solenoid.
- After the machine stops, unlocking is completed by the solenoid, providing high safety features.
- Manual unlocking is possible in the event of power failure or maintenance.

Solenoid Lock Type

- The actuator is locked when energized.
- The actuator is unlocked when de-energized.
- Flexible locking function can be achieved for an application where locking is not required and sudden stopping of machine must be prevented.



Specifications

Applicable Standards	ISO14119, IEC60947-5-1, EN60947-5-1 (TÜV approval), EN1088 (TÜV approval), GS-ET-19 (BG approval), UL508 (UL recognized), CSA C22.2, No. 14 (c-UL recognized), GB14048.5 (CCC approved) IEC60204-1/EN60204-1 (applicable standards for use)
Operating Temperature	-25 to +50°C (no freezing)
Relative Humidity	45 to 85% (no condensation)
Storage Temperature	-40 to +80°C (no freezing)
Pollution Degree	3
Impulse Withstand Voltage	2.5 kV (between LED, solenoid and grounding: 0.5 kV)
Insulation Resistance (500V DC megger)	Between live and dead metal parts: 100 MΩ minimum Between live metal part and ground: 100 MΩ minimum Between live metal parts: 100 MΩ minimum Between terminals of the same pole: 100 MΩ minimum
Electric Shock Protection	Class II (IEC61140)
Degree of Protection	IP67 (IEC60529)
Shock Resistance	Operating extremes: 100 m/s ² (10G) Damage limits: 1000 m/s ² (100G)
Vibration Resistance	Operating extremes: 10 to 55 Hz, amplitude 0.35 mm minimum Damage limits: 30 Hz, amplitude 1.5 mm minimum
Actuator Operating Speed	0.05 to 1.0 m/s
Direct Opening Travel	Actuator HS9Z-A51: 11 mm minimum Actuator HS9Z-A51A/A52/A52A/A53/A55: 12 mm minimum
Direct Opening Force	80N minimum
Actuator Retention Force	1000N minimum (GS-ET-19) (See page 11 for actuator retention force.)
Operating Frequency	900 operations per hour
Rear Unlock Button Mechanical Durability	3000 operations minimum (HS5E-**L type)
Mechanical Durability	1,000,000 operations minimum (GS-ET-19)
Electrical Durability	100,000 operations minimum (operating frequency 900 operations per hour, load AC-12, 250V, 1A)
Conditional Short-circuit Current	50A (250V) (Use 250V/10A fast acting type fuse for short-circuit protection.)
Cable	UL2464 HS5E-V: AWG22 (12-core, 0.3 mm ² /core) Others: AWG21(8-core: 0.5 mm ² /core)
Cable Outside Diameter	ø7.6 mm
Weight (approx.)	400g (HS5E-A4001)

Note: See page 11 for actuator retention force.

HS5E Miniature Interlock Switches with Solenoid

Ratings

• Contact Ratings

Rated Insulation Voltage (Ui) (Note 1)		250V (between LED or solenoid and ground: 30V)			
		2.5A			
Rated Thermal Current (Ith)	Four-circuit Independent Output Type (HS5E-V)	Operating temp.: -25°C to 35°C (not included)		Operating temp.: 35°C to 50°C	
		2.5A (1 or 2 circuits) 1.0A (3 or 4 circuits)		1.0A (1 circuit) 0.5A (2 to 4 circuits)	
Rated Voltage (Ue)		30V	125V	250V	
Rated Current (Ie) (Note 2)	AC	Resistive Load (AC-12)	-	2A	1A
		Inductive Load (AC-15)	-	1A	0.5A
	DC	Resistive Load (DC-12)	2A	0.4A	0.2A
		Inductive Load (DC-13)	1A	0.22A	0.1A

- Minimum applicable load (reference value): 3V AC/DC, 5 mA
(Applicable range may vary with operating conditions and load types.)

Note 1: UL rating: 125V

Note 2: TÜV, BG rating: AC-15 0.5A/250V, DC-13 0.22A/125V

UL, c-UL rating: Pilot duty AC 0.5A/125V,
Pilot duty DC 0.22A/125V

• Solenoid Unit

Locking Mechanism	Spring Lock Type	Solenoid Lock Type
Rated Operating Current	24V DC	
Rated Current	266 mA (initial value)	
Coil Resistance	90Ω (at 20°C)	
Pickup Voltage	Rated voltage × 85% maximum (at 20°C)	
Dropout Voltage	Rated voltage × 10% minimum (at 20°C)	
Maximum Continuous Applicable Voltage	Rated Voltage × 110%	
Maximum Continuous Applicable Time	Continuous	
Insulation Class	Class F	

• Indicator

Rated Voltage	24V DC
Rated Current	10 mA
Light Source	LED
Illumination Color	Green

Ordering Information

HS5E-A44L01-G

Circuit Code				Indicator Color
Main Circuit	Door Monitor Circuit	Lock Monitor Circuit		G: Green
A: 1NC + 1NC	1NO	1NO		
B: 1NC + 1NC	1NO	1NC		
C: 1NC + 1NC	1NC	1NO		
D: 1NC + 1NC	1NC	1NC		
F: 1NC + 1NC	2NC	-		Cable Length
G: 1NC + 1NC	1NC, 1NO	-		01: 1m
H: 1NC + 1NC	-	2NC		03: 3m
J: 1NC + 1NC	-	1NC, 1NO		05: 5m
DD: 1NC + 1NC 1NC + 1NC				Rear Unlocking Button
VA: -	1NC, 1NO	1NC, 1NO		L: With rear unlocking button
VB: -	1NC, 1NO	2NC		Blank: Without rear unlocking button
VC: -	2NC	1NC, 1NO		
VD: -	2NC	2NC		LED Indicator Rated Voltage
				4: 24V DC
				0: Without indicator
Solenoid Unit Voltage/Lock Mechanism				
4: 24V DC/Spring Lock				
7Y: 24V DC/Solenoid Lock				

HS5E Miniature Interlock Switches with Solenoid

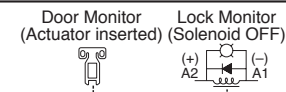
• Standard Type

Lock Mechanism	Circuit Code	Contact Configuration	Indicator	Cable Length	Type No.
Solenoid Lock	A	<div style="display: flex; justify-content: space-around; align-items: center;"> <div style="text-align: center;"> <p>Door Monitor (Actuator inserted)</p> </div> <div style="text-align: center;"> <p>Lock Monitor (Solenoid ON)</p> </div> </div> <p>Main Circuit: 1NC+1NC, Door Monitor Circuit: 1NO, Lock Monitor Circuit: 1NO</p> <p>Main Circuit: ⊕ 11 — 12 — 41 — 42 Monitor Circuit: ⊖ 23 — 24 Monitor Circuit: 53 — 54</p>	Without	1m	HS5E-A7Y001
				3m	HS5E-A7Y003
				5m	HS5E-A7Y005
			With	1m	HS5E-A7Y401-G
				3m	HS5E-A7Y403-G
				5m	HS5E-A7Y405-G
	B	<p>Main Circuit: 1NC+1NC, Door Monitor Circuit: 1NO, Lock Monitor Circuit: 1NC</p> <p>Main Circuit: ⊕ 11 — 12 — 41 — 42 Monitor Circuit: ⊖ 23 — 24 Monitor Circuit: 51 — 52</p>	Without	1m	HS5E-B7Y001
				3m	HS5E-B7Y003
				5m	HS5E-B7Y005
			With	1m	HS5E-B7Y401-G
				3m	HS5E-B7Y403-G
				5m	HS5E-B7Y405-G
	C	<p>Main Circuit: 1NC+1NC, Door Monitor Circuit: 1NC, Lock Monitor Circuit: 1NO</p> <p>Main Circuit: ⊕ 11 — 12 — 41 — 42 Monitor Circuit: ⊖ 21 — 22 Monitor Circuit: 53 — 54</p>	Without	1m	HS5E-C7Y001
				3m	HS5E-C7Y003
				5m	HS5E-C7Y005
			With	1m	HS5E-C7Y401-G
				3m	HS5E-C7Y403-G
				5m	HS5E-C7Y405-G
	D	<p>Main Circuit: 1NC+1NC, Door Monitor Circuit: 1NC, Lock Monitor Circuit: 1NC</p> <p>Main Circuit: ⊕ 11 — 12 — 41 — 42 Monitor Circuit: ⊖ 21 — 22 Monitor Circuit: 51 — 52</p>	Without	1m	HS5E-D7Y001
				3m	HS5E-D7Y003
				5m	HS5E-D7Y005
			With	1m	HS5E-D7Y401-G
				3m	HS5E-D7Y403-G
				5m	HS5E-D7Y405-G
F	<p>Main Circuit: 1NC+1NC, Door Monitor Circuit: 2NC</p> <p>Main Circuit: ⊕ 11 — 12 — 41 — 42 Monitor Circuit: ⊖ 21 — 22 Monitor Circuit: ⊖ 31 — 32</p>	Without	1m	HS5E-F7Y001	
			3m	HS5E-F7Y003	
			5m	HS5E-F7Y005	
		With	1m	HS5E-F7Y401-G	
			3m	HS5E-F7Y403-G	
			5m	HS5E-F7Y405-G	
G	<p>Main Circuit: 1NC+1NC, Door Monitor Circuit: 1NC, 1NO</p> <p>Main Circuit: ⊕ 11 — 12 — 41 — 42 Monitor Circuit: ⊖ 21 — 22 Monitor Circuit: 33 — 34</p>	Without	1m	HS5E-G7Y001	
			3m	HS5E-G7Y003	
			5m	HS5E-G7Y005	
		With	1m	HS5E-G7Y401-G	
			3m	HS5E-G7Y403-G	
			5m	HS5E-G7Y405-G	
H	<p>Main Circuit: 1NC+1NC, Lock Monitor Circuit: 2NC</p> <p>Main Circuit: ⊕ 11 — 12 — 41 — 42 Monitor Circuit: 51 — 52 Monitor Circuit: 61 — 62</p>	Without	1m	HS5E-H7Y001	
			3m	HS5E-H7Y003	
			5m	HS5E-H7Y005	
		With	1m	HS5E-H7Y401-G	
			3m	HS5E-H7Y403-G	
			5m	HS5E-H7Y405-G	
J	<p>Main Circuit: 1NC+1NC, Lock Monitor Circuit: 1NC, 1NO</p> <p>Main Circuit: ⊕ 11 — 12 — 41 — 42 Monitor Circuit: 51 — 52 Monitor Circuit: 63 — 64</p>	Without	1m	HS5E-J7Y001	
			3m	HS5E-J7Y003	
			5m	HS5E-J7Y005	
		With	1m	HS5E-J7Y401-G	
			3m	HS5E-J7Y403-G	
			5m	HS5E-J7Y405-G	

- The contact configuration shows the status when the actuator is inserted and the switch is locked.
- The contact configuration shows the status when the indicator is installed.
- Actuators are not supplied with the interlock switch and must be ordered separately.


HS5E Miniature Interlock Switches with Solenoid

•Rear Unlocking Button Type

Lock Mechanism	Circuit Code	Contact Configuration	Indicator	Cable Length	Type No.
Spring Lock	A	 <p>Main Circuit: 1NC+1NC, Door Monitor Circuit: 1NO, Lock Monitor Circuit: 1NO</p> <p>Main Circuit: ⊖ 11 — 12 — 41 — 42</p> <p>Monitor Circuit: ⊖ 23 — 24</p> <p>Monitor Circuit: — 53 — 54</p>	With	1m	HS5E-A44L01-G
				3m	HS5E-A44L03-G
				5m	HS5E-A44L05-G
	C	<p>Main Circuit: 1NC+1NC, Door Monitor Circuit: 1NC, Lock Monitor Circuit: 1NO</p> <p>Main Circuit: ⊖ 11 — 12 — 41 — 42</p> <p>Monitor Circuit: ⊖ 21 — 22</p> <p>Monitor Circuit: — 53 — 54</p>		1m	HS5E-C44L01-G
				3m	HS5E-C44L03-G
				5m	HS5E-C44L05-G
	D	<p>Main Circuit: 1NC+1NC, Door Monitor Circuit: 1NC, Lock Monitor Circuit: 1NC</p> <p>Main Circuit: ⊖ 11 — 12 — 41 — 42</p> <p>Monitor Circuit: ⊖ 21 — 22</p> <p>Monitor Circuit: — 51 — 52</p>		1m	HS5E-D44L01-G
				3m	HS5E-D44L03-G
				5m	HS5E-D44L05-G
	F	<p>Main Circuit: 1NC+1NC, Door Monitor Circuit: 2NC</p> <p>Main Circuit: ⊖ 11 — 12 — 41 — 42</p> <p>Monitor Circuit: ⊖ 21 — 22</p> <p>Monitor Circuit: ⊖ 31 — 32</p>		1m	HS5E-F44L01-G
				3m	HS5E-F44L03-G
				5m	HS5E-F44L05-G
G	<p>Main Circuit: 1NC+1NC, Door Monitor Circuit: 1NC, 1NO</p> <p>Main Circuit: ⊖ 11 — 12 — 41 — 42</p> <p>Monitor Circuit: ⊖ 21 — 22</p> <p>Monitor Circuit: — 33 — 34</p>	1m	HS5E-G44L01-G		
		3m	HS5E-G44L03-G		
		5m	HS5E-G44L05-G		

- The contact configuration shows the status when the actuator is inserted and the switch is locked.
- Actuators are not supplied with the interlock switch and must be ordered separately.

•Dual Safety Circuit Type

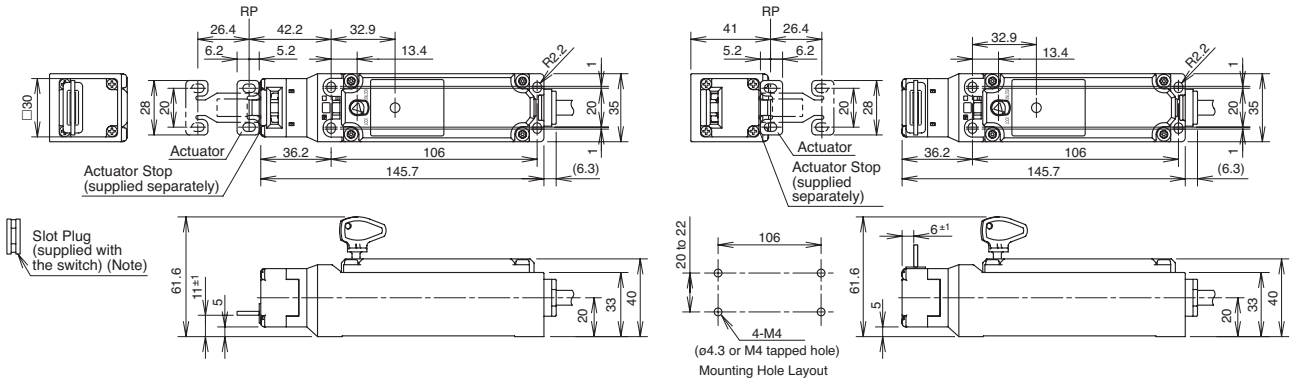
Lock Mechanism	Circuit Code	Contact Configuration	Indicator	Cable Length	Type No.
Spring Lock	DD	 <p>Main Circuit: 1NC+1NC 1NC+1NC</p> <p>Main Circuit ①: ⊖ 11 — 12 — 41 — 42</p> <p>Main Circuit ②: ⊖ 21 — 22 — 51 — 52</p>	With	1m	HS5E-DD4401-G
				3m	HS5E-DD4403-G
				5m	HS5E-DD4405-G

- The contact configuration shows the status when the actuator is inserted and the switch is locked.
- Actuators are not supplied with the interlock switch and must be ordered separately.

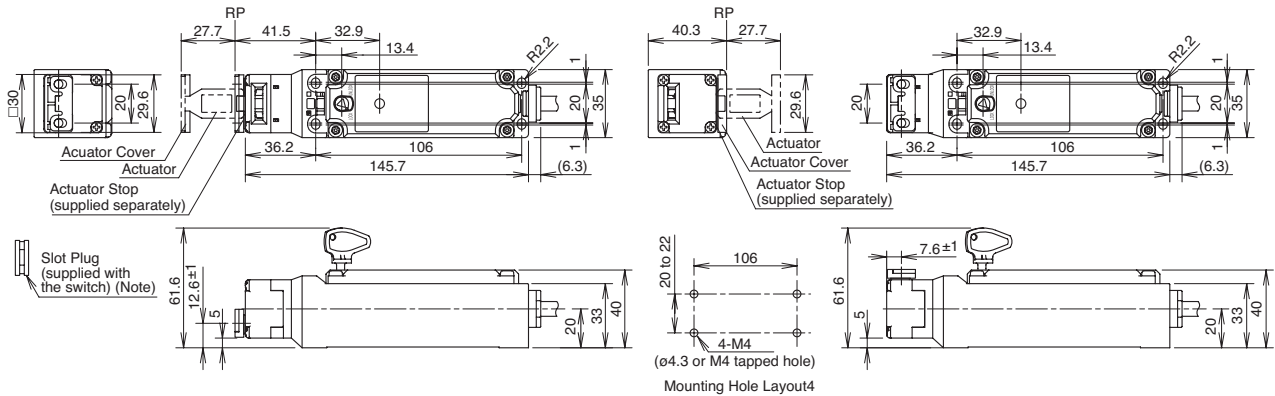
HS5E Miniature Interlock Switches with Solenoid

Dimensions

• HS5E-□□4□-G (with indicator) Horizontal Mounting/Straight Actuator (HS9Z-A51)

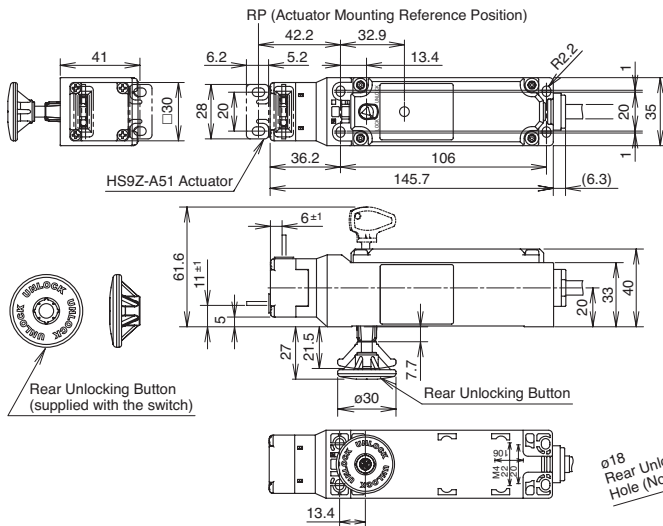


Vertical Mounting/Right-angle Actuator (HS9Z-A52)



• HS5E-□44L□-G (rear unlocking button type) Horizontal Mounting/Straight Actuator (HS9Z-A51)

All dimensions in mm.



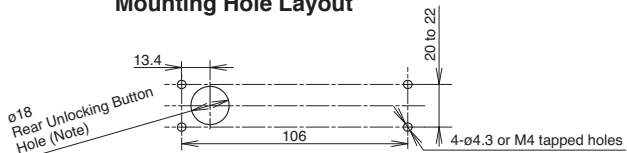
Rear unlocking button mounting

- $X \leq 6$ Panel mounting
- $6 < X < 23$ Not mountable
- $23 \leq X \leq 33$ Use HS9Z-FL53 rear unlocking button kit (Note)
- $33 < X \leq 43$ Use HS9Z-FL54 rear unlocking button kit (Note)

X = Panel thickness (including panel, mounting frame, and mounting plate)
Note: See page 12 for details.

- Plug the unused actuator entry slot using the plug supplied with the switch.

Mounting Hole Layout

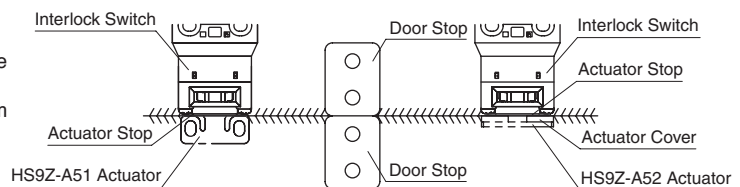


Note: With the mounting hole dimension, the rear unlocking button rod does not touch the hole even when the interlock switch moves sideways.

• Actuator Mounting Reference Position

As shown in the figure on the right, the mounting reference position of the actuator when inserted in the interlock switch is where the actuator stop placed on the actuator lightly touches the interlock switch.

Note: After mounting the actuator, remove the actuator stop from the actuator.



HS5E Miniature Interlock Switches with Solenoid

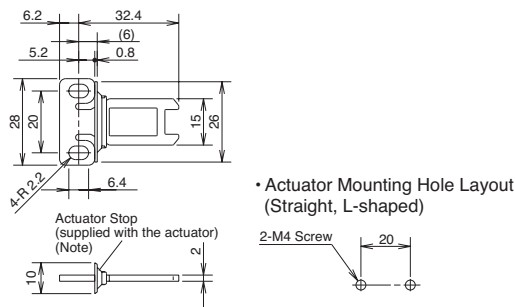
• Actuators

Description	Actuator Retention Force	Ordering Type No.
Straight	1000N minimum	HS9Z-A51
Straight w/rubber bushings		HS9Z-A51A
Right-angle		HS9Z-A52
Right-angle w/rubber bushings		HS9Z-A52A
Angle Adjustable (vertical) Type		HS9Z-A53
Angle Adjustable (vertical/horizontal) Type (Note 1)	500N minimum	HS9Z-A55
Sliding Actuator (Note 2)	1000N minimum	HS9Z-SH5

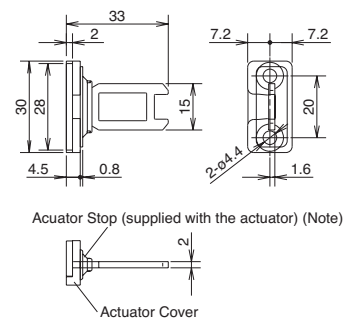
Note 1: When retention force of more than 500N is required, use HS9Z-A53.
 Note 2: For details, see catalog EP1210-0.

Dimensions and Mounting Hole Layouts

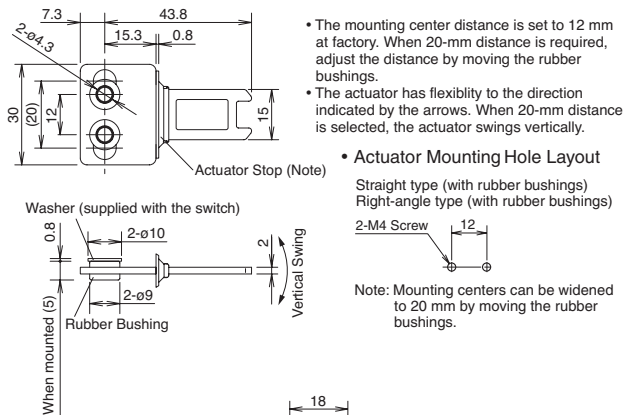
• Straight Actuator (HS9Z-A51)



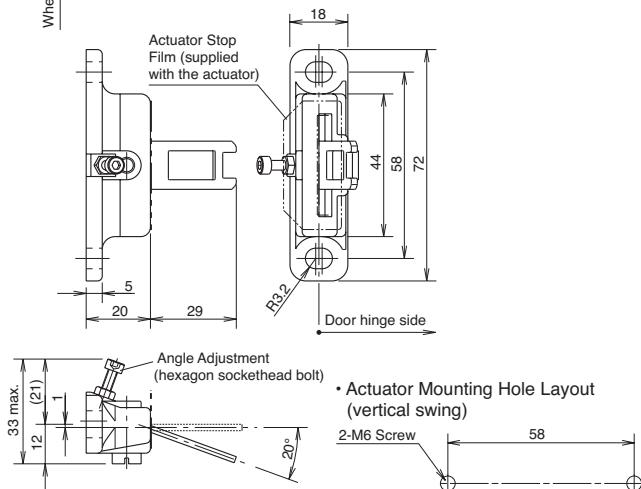
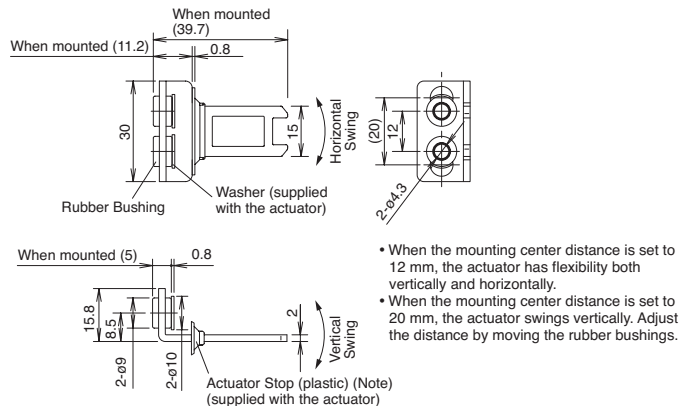
• Right-angle Actuator (HS9Z-A52)



• Straight Actuator w/Rubber Bushings (HS9Z-A51A)



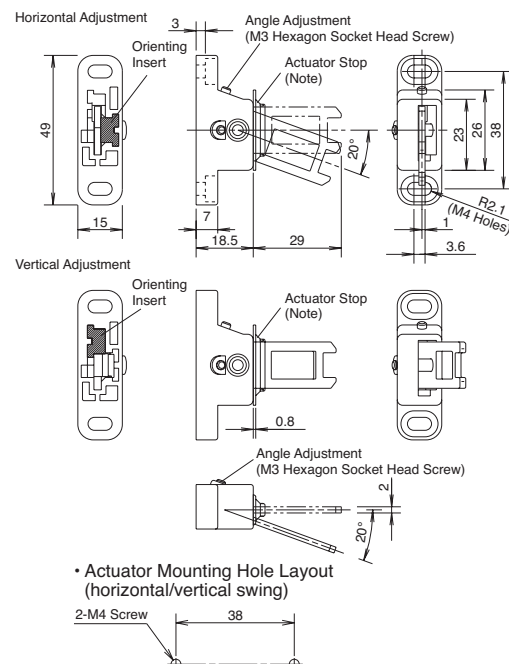
• Right-angle Actuator w/Rubber Bushings (HS9Z-A52A)



Note: The actuator stop is supplied with the actuator and used when adjusting the actuator position. Remove after the actuator position is determined.

• Actuator Orientation

The orientation of actuator swing (horizontal/vertical) can be changed using the orienting insert (white plastic) installed on the back of the actuator. Do not lose the orientating insert, otherwise the actuator will not swing properly.



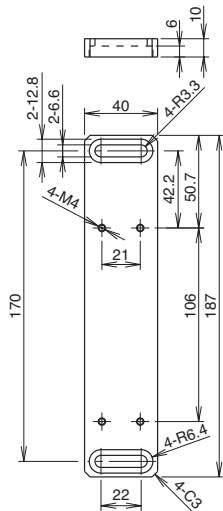
HS5E Miniature Interlock Switches with Solenoid

Accessories

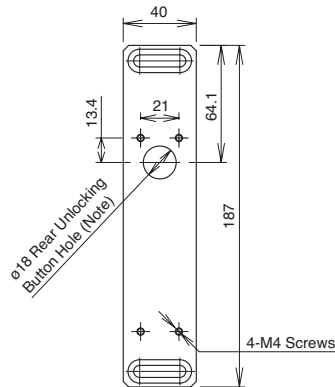
Description	Ordering Type No.	Remarks
Mounting Plate	HS9Z-SP51	When using the HS5E-□44L□-G, provide a mounting hole for the unlocking button as shown below in the mounting plate mounting hole layout.
Manual Unlocking Key (metal)	HS9Z-T3	
Rear Unlocking Button Kit	HS9Z-FL53	Used when the total thickness (X) of mounting frame, panel and mounting plate is: $23 \leq X \leq 33$ mm
	HS9Z-FL54	Used when the total thickness (X) of mounting frame, panel and mounting plate is: $33 < X \leq 43$ mm

Dimensions

• Mounting Plate (HS9Z-SP51)



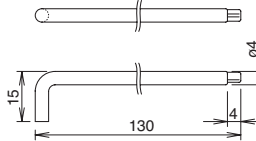
Drilling Rear Unlocking Button Hole



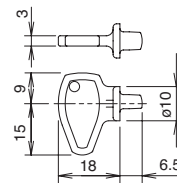
When installing the HS5E-□44L□-G (rear unlocking button type), provide a rear unlocking button hole on the HS9Z-SP51.

Material: Anodized aluminum A6063
Weight: Approx. 180g

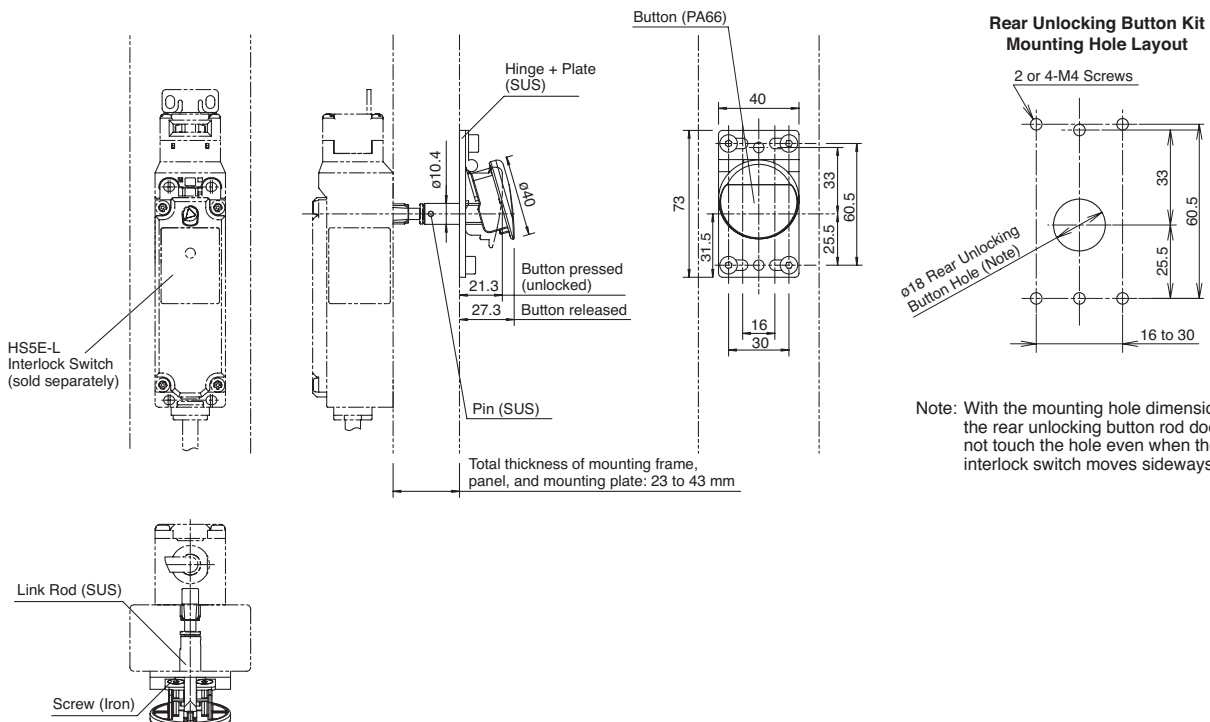
• Manual Unlocking Key (metal) (HS9Z-T3)



• Manual Unlocking Key (plastic)



• Rear Unlocking Button Kit (HS9Z-FL5□)



HS5E Miniature Interlock Switches with Solenoid

Circuit Diagrams and Operating Characteristics

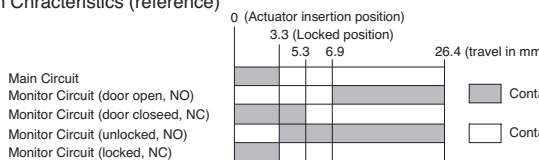
• Standard and Rear Unlocking Type - Spring Lock Type

Interlock Switch Status	Status 1	Status 2	Status 3	Status 4	Manual Unlock		
	<ul style="list-style-type: none"> Door Closed Machine ready to operate Solenoid de-energized 	<ul style="list-style-type: none"> Door Closed Machine cannot be operated Solenoid energized 	<ul style="list-style-type: none"> Door Open Machine cannot be operated Solenoid energized 	<ul style="list-style-type: none"> Door Open Machine cannot be operated Solenoid de-energized 	<ul style="list-style-type: none"> Door Closed Machine cannot be operated Solenoid de-energized 		
Door Status							
Circuit Diagram (HS5E-A4)							
Door	Closed (locked)	Closed (unlocked)	Open	Open	Closed (unlocked)		
Contact Configuration	HS5E-A4 Main Circuit: 11-12, 41-42 Monitor Circuit: 23-24, 53-54	Main Circuit 11-42	ON (closed)	OFF (open)	OFF (open)	OFF (open)	OFF (open)
		Monitor Circuit (door open) 23-24	OFF (open)	OFF (open)	ON (closed)	ON (closed)	OFF (open)
		Monitor Circuit (unlocked) 53-54	OFF (open)	ON (closed)	ON (closed)	ON (closed)	ON (closed)
	HS5E-B4 Main Circuit: 11-12, 41-42 Monitor Circuit: 23-24, 51-52	Main Circuit 11-42	ON (closed)	OFF (open)	OFF (open)	OFF (open)	OFF (open)
		Monitor Circuit (door open) 23-24	OFF (open)	OFF (open)	ON (closed)	ON (closed)	OFF (open)
		Monitor Circuit (locked) 51-52	ON (closed)	OFF (open)	OFF (open)	OFF (open)	OFF (open)
	HS5E-C4 Main Circuit: 11-12, 41-42 Monitor Circuit: 21-22, 53-54	Main Circuit 11-42	ON (closed)	OFF (open)	OFF (open)	OFF (open)	OFF (open)
		Monitor Circuit (door closed) 21-22	ON (closed)	ON (closed)	OFF (open)	OFF (open)	ON (closed)
		Monitor Circuit (unlocked) 53-54	OFF (open)	ON (closed)	ON (closed)	ON (closed)	ON (closed)
	HS5E-D4 Main Circuit: 11-12, 41-42 Monitor Circuit: 21-22, 51-52	Main Circuit 11-42	ON (closed)	OFF (open)	OFF (open)	OFF (open)	OFF (open)
		Monitor Circuit (door closed) 21-22	ON (closed)	ON (closed)	OFF (open)	OFF (open)	ON (closed)
		Monitor Circuit (locked) 51-52	ON (closed)	OFF (open)	OFF (open)	OFF (open)	OFF (open)
HS5E-F4 Main Circuit: 11-12, 41-42 Monitor Circuit: 21-22, 31-32	Main Circuit 11-42	ON (closed)	OFF (open)	OFF (open)	OFF (open)	OFF (open)	
	Monitor Circuit (door closed) 21-22	ON (closed)	ON (closed)	OFF (open)	OFF (open)	ON (closed)	
	Monitor Circuit (door closed) 31-32	ON (closed)	ON (closed)	OFF (open)	OFF (open)	ON (closed)	
HS5E-G4 Main Circuit: 11-12, 41-42 Monitor Circuit: 21-22, 33-34	Main Circuit 11-42	ON (closed)	OFF (open)	OFF (open)	OFF (open)	OFF (open)	
	Monitor Circuit (door closed) 21-22	ON (closed)	ON (closed)	OFF (open)	OFF (open)	ON (closed)	
	Monitor Circuit (door open) 33-34	OFF (open)	OFF (open)	ON (closed)	ON (closed)	OFF (open)	
HS5E-H4 Main Circuit: 11-12, 41-42 Monitor Circuit: 51-52, 61-62	Main Circuit 11-42	ON (closed)	OFF (open)	OFF (open)	OFF (open)	OFF (open)	
	Monitor Circuit (locked) 51-52	ON (closed)	OFF (open)	OFF (open)	OFF (open)	OFF (open)	
	Monitor Circuit (locked) 61-62	ON (closed)	OFF (open)	OFF (open)	OFF (open)	OFF (open)	
HS5E-J4 Main Circuit: 11-12, 41-42 Monitor Circuit: 51-52, 63-64	Main Circuit 11-42	ON (closed)	OFF (open)	OFF (open)	OFF (open)	OFF (open)	
	Monitor Circuit (locked) 51-52	ON (closed)	OFF (open)	OFF (open)	OFF (open)	OFF (open)	
	Monitor Circuit (unlocked) 63-64	OFF (open)	ON (closed)	ON (closed)	ON (closed)	ON (closed)	
Solenoid Power A1-A2 (all types)	OFF (de-energized)	ON (energized)	ON (energized)	OFF (de-energized)	OFF (de-energized)		

- The above contact configuration shows the status when the actuator is inserted and locked.
- Main Circuit: Connected to the control circuit of machine drive part, sending interlock signals of the protective door.
- Monitor Circuit: Sends monitoring signals of protective door open/closed status or protective door lock/unlock status.
- Operation Characteristics (reference)

Note 1: Actuator can be unlocked manually for confirming the door movement before wiring and energizing, and also for emergency situation such as power failure.

Note 2: When the operator is confined in a hazardous zone, the actuator can be unlocked manually by pressing the rear unlocking button.



- The operation characteristics shown in the chart above are of the HS9Z-A51. For other actuator types, add 1.3 mm.
- The operation characteristics show the contact status when the actuator enters the entry slot of an interlock switch.

HS5E Miniature Interlock Switches with Solenoid

• Standard Type - Solenoid Lock Type

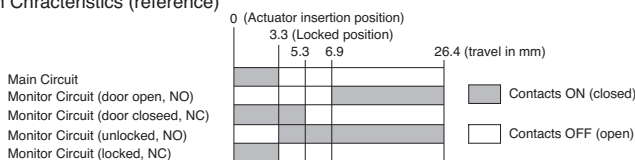
Interlock Switch Status	Status 1	Status 2	Status 3	Status 4	Unlocked with Manual Unlocking Key		
	<ul style="list-style-type: none"> Door Closed Machine ready to operate Solenoid energized 	<ul style="list-style-type: none"> Door Closed Machine cannot be operated Solenoid de-energized 	<ul style="list-style-type: none"> Door Open Machine cannot be operated Solenoid de-energized 	<ul style="list-style-type: none"> Door Open Machine cannot be operated Solenoid energized 		<ul style="list-style-type: none"> Door Closed Machine cannot be operated Solenoid de-energized → energized 	
Door Status							
Circuit Diagram (HS5E-A7Y)							
Door	Closed (locked)	Closed (unlocked)	Open	Open	Closed (unlocked)		
Contact Configuration	HS5E-A7Y Main Circuit: 11-12, 23-24 Monitor Circuit (door open): 41-42 Monitor Circuit (unlocked): 53-54	Main Circuit 11-42	ON (closed)	OFF (open)	OFF (open)	OFF (open)	
		Monitor Circuit (door open) 23-24	OFF (open)	OFF (open)	ON (closed)	ON (closed)	OFF (open)
		Monitor Circuit (unlocked) 53-54	OFF (open)	ON (closed)	ON (closed)	ON (closed)	ON (closed)
	HS5E-B7Y Main Circuit: 11-12, 23-24 Monitor Circuit: 51-52	Main Circuit 11-42	ON (closed)	OFF (open)	OFF (open)	OFF (open)	OFF (open)
		Monitor Circuit (door open) 23-24	OFF (open)	OFF (open)	ON (closed)	ON (closed)	OFF (open)
		Monitor Circuit (locked) 51-52	ON (closed)	OFF (open)	OFF (open)	OFF (open)	OFF (open)
	HS5E-C7Y Main Circuit: 11-12, 21-22, 53-54 Monitor Circuit: 21-22	Main Circuit 11-42	ON (closed)	OFF (open)	OFF (open)	OFF (open)	OFF (open)
		Monitor Circuit (door closed) 21-22	ON (closed)	ON (closed)	OFF (open)	OFF (open)	ON (closed)
		Monitor Circuit (unlocked) 53-54	OFF (open)	ON (closed)	ON (closed)	ON (closed)	ON (closed)
	HS5E-D7Y Main Circuit: 11-12, 21-22, 51-52 Monitor Circuit: 21-22	Main Circuit 11-42	ON (closed)	OFF (open)	OFF (open)	OFF (open)	OFF (open)
		Monitor Circuit (door closed) 21-22	ON (closed)	ON (closed)	OFF (open)	OFF (open)	ON (closed)
		Monitor Circuit (locked) 51-52	ON (closed)	OFF (open)	OFF (open)	OFF (open)	OFF (open)
	HS5E-F7Y Main Circuit: 11-12, 21-22, 31-32 Monitor Circuit: 21-22	Main Circuit 11-42	ON (closed)	OFF (open)	OFF (open)	OFF (open)	OFF (open)
Monitor Circuit (door closed) 21-22		ON (closed)	ON (closed)	OFF (open)	OFF (open)	ON (closed)	
Monitor Circuit (door closed) 31-32		ON (closed)	ON (closed)	OFF (open)	OFF (open)	ON (closed)	
HS5E-G7Y Main Circuit: 11-12, 21-22, 33-34 Monitor Circuit: 21-22	Main Circuit 11-42	ON (closed)	OFF (open)	OFF (open)	OFF (open)	OFF (open)	
	Monitor Circuit (door closed) 21-22	ON (closed)	ON (closed)	OFF (open)	OFF (open)	ON (closed)	
	Monitor Circuit (door open) 33-34	OFF (open)	OFF (open)	ON (closed)	ON (closed)	OFF (open)	
HS5E-H7Y Main Circuit: 11-12, 51-52, 61-62 Monitor Circuit: 51-52	Main Circuit 11-42	ON (closed)	OFF (open)	OFF (open)	OFF (open)	OFF (open)	
	Monitor Circuit (locked) 51-52	ON (closed)	OFF (open)	OFF (open)	OFF (open)	OFF (open)	
	Monitor Circuit (locked) 61-62	ON (closed)	OFF (open)	OFF (open)	OFF (open)	OFF (open)	
HS5E-J7Y Main Circuit: 11-12, 51-52, 63-64 Monitor Circuit: 51-52	Main Circuit 11-42	ON (closed)	OFF (open)	OFF (open)	OFF (open)	OFF (open)	
	Monitor Circuit (locked) 51-52	ON (closed)	OFF (open)	OFF (open)	OFF (open)	OFF (open)	
	Monitor Circuit (unlocked) 63-64	OFF (open)	ON (closed)	ON (closed)	ON (closed)	ON (closed)	
Solenoid Power A1-A2 (all types)	ON (energized)	OFF (de-energized)	OFF (de-energized)	ON (energized) (Note 2)	OFF to ON (Note 1) (Note 2)		

- The above contact configuration shows the status when the actuator is inserted and locked.
- Main Circuit: Connected to the control circuit of machine drive part, sending interlock signals of the protective door.
- Monitor Circuit: Sends monitoring signals of protective door open/closed status or protective door lock/unlock status.

Note 1: Do not attempt manual unlocking when the solenoid is energized.

Note 2: Do not energize the solenoid for a long time while the door is open or when the door is unlocked manually.

• Operation Characteristics (reference)



- The operation characteristics shown in the chart above are of the HS9Z-A51. For other actuator types, add 1.3 mm.
- The operation characteristics show the contact status when the actuator enters the entry slot of an interlock switch.

HS5E Miniature Interlock Switches with Solenoid

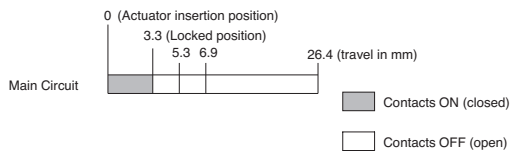
• Dual Safety Circuit Type

Interlock Switch Status		Status 1	Status 2	Status 3	Status 4	Unlocked with Manual Unlocking Key
		<ul style="list-style-type: none"> Door Closed Machine ready to operate Solenoid de-energized 	<ul style="list-style-type: none"> Door Closed Machine cannot be operated Solenoid energized 	<ul style="list-style-type: none"> Door Open Machine cannot be operated Solenoid energized 	<ul style="list-style-type: none"> Door Open Machine cannot be operated Solenoid de-energized 	
Door Status						 Turn the manual unlock key (Note)
Circuit Diagram (HS5E-DD4)						
Door		Closed (locked)	Closed (unlocked)	Open	Open	Closed (unlocked)
Contact Configuration	 Main Circuit: 11-12, 41-42 Main Circuit: 21-22, 51-52	ON (closed)	OFF (open)	OFF (open)	OFF (open)	OFF (open)
	 Main Circuit: 11-12, 41-42 Main Circuit: 21-22, 51-52	ON (closed)	OFF (open)	OFF (open)	OFF (open)	OFF (open)
Solenoid Power A1-A2 (all types)		OFF (de-energized)	ON (energized)	ON (energized)	OFF (de-energized)	OFF (de-energized)

- The above contact configuration shows the status when the actuator is inserted and locked.
- Main Circuit: Connected to the control circuit of machine drive part, sending interlock signals of the protective door.

Note: Actuator can be unlocked manually for confirming the door movement before wiring and energizing, and also for emergency situation such as power failure.

• Operation Characteristics (reference)



- The operation characteristics shown in the chart above are of the HS9Z-A51. For other actuator types, add 1.3 mm.
- The operation characteristics show the contact status when the actuator enters the entry slot of an interlock switch.

HS5E Miniature Interlock Switches with Solenoid

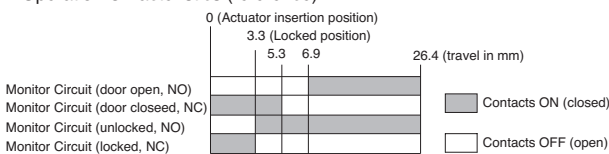
• Four-circuit Independent Output - Spring Lock Type

Interlock Switch Status	Status 1	Status 2	Status 3	Status 4	Unlocked with Manual Unlocking Key		
	<ul style="list-style-type: none"> Door Closed Machine ready to operate Solenoid de-energized 	<ul style="list-style-type: none"> Door Closed Machine cannot be operated Solenoid energized 	<ul style="list-style-type: none"> Door Open Machine cannot be operated Solenoid energized 	<ul style="list-style-type: none"> Door Open Machine cannot be operated Solenoid de-energized 	<ul style="list-style-type: none"> Door Closed Machine cannot be operated Solenoid de-energized 		
Door Status							
Circuit Diagram (HS5E-VA4)							
Door	Closed (locked)	Closed (unlocked)	Open	Open	Closed (unlocked)		
Contact Configuration	HS5E-VA4 Door Monitor (Actuator Inserted) Lock Monitor (Solenoid OFF) Monitor Circuit: 11-12 Monitor Circuit: 23-24 Monitor Circuit: 41-42 Monitor Circuit: 53-54	Monitor Circuit (door closed) 11-12	ON (closed)	ON (closed)	OFF (open)	OFF (open)	ON (closed)
		Monitor Circuit (door open) 23-24	OFF (open)	OFF (open)	ON (closed)	ON (closed)	OFF (open)
		Monitor Circuit (locked) 41-42	ON (closed)	OFF (open)	OFF (open)	OFF (open)	OFF (open)
		Monitor Circuit (unlocked) 53-54	OFF (open)	ON (closed)	ON (closed)	ON (closed)	ON (closed)
	HS5E-VB4 Door Monitor (Actuator Inserted) Lock Monitor (Solenoid OFF) Monitor Circuit: 11-12 Monitor Circuit: 23-24 Monitor Circuit: 51-52	Monitor Circuit (door closed) 11-12	ON (closed)	ON (closed)	OFF (open)	OFF (open)	ON (closed)
		Monitor Circuit (door open) 23-24	OFF (open)	OFF (open)	ON (closed)	ON (closed)	OFF (open)
		Monitor Circuit (locked) 41-42	ON (closed)	OFF (open)	OFF (open)	OFF (open)	OFF (open)
		Monitor Circuit (locked) 51-52	ON (closed)	OFF (open)	OFF (open)	OFF (open)	OFF (open)
	HS5E-VC4 Door Monitor (Actuator Inserted) Lock Monitor (Solenoid OFF) Monitor Circuit: 11-12 Monitor Circuit: 21-22 Monitor Circuit: 53-54	Monitor Circuit (door closed) 11-12	ON (closed)	ON (closed)	OFF (open)	OFF (open)	ON (closed)
		Monitor Circuit (door closed) 21-22	ON (closed)	ON (closed)	OFF (open)	OFF (open)	ON (closed)
		Monitor Circuit (locked) 41-42	ON (closed)	OFF (open)	OFF (open)	OFF (open)	OFF (open)
		Monitor Circuit (unlocked) 53-54	OFF (open)	ON (closed)	ON (closed)	ON (closed)	ON (closed)
	HS5E-VD4 Door Monitor (Actuator Inserted) Lock Monitor (Solenoid OFF) Monitor Circuit: 11-12 Monitor Circuit: 21-22 Monitor Circuit: 51-52	Monitor Circuit (door closed) 11-12	ON (closed)	ON (closed)	OFF (open)	OFF (open)	ON (closed)
		Monitor Circuit (door closed) 21-22	ON (closed)	ON (closed)	OFF (open)	OFF (open)	ON (closed)
		Monitor Circuit (locked) 41-42	ON (closed)	OFF (open)	OFF (open)	OFF (open)	OFF (open)
		Monitor Circuit (locked) 51-52	ON (closed)	OFF (open)	OFF (open)	OFF (open)	OFF (open)
Solenoid Power A1-A2 (all types)	OFF (de-energized)	ON (energized)	ON (energized)	OFF (de-energized)	OFF (de-energized)		

- The above contact configuration shows the status when the actuator is inserted and locked.
- Monitor Circuit: Sends monitoring signals of protective door open/closed status or protective door lock/unlock status.

Note: Actuator can be unlocked manually for confirming the door movement before wiring and energizing, and also for emergency situation such as power failure.

• Operation Characteristics (reference)



- The operation characteristics shown in the chart above are of the HS9Z-A51. For other actuator types, add 1.3 mm.
- The operation characteristics show the contact status when the actuator enters the entry slot of an interlock switch.

HS5E Miniature Interlock Switches with Solenoid

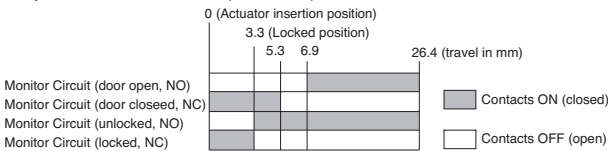
• Four-circuit Independent Output - Solenoid Lock Type

Interlock Switch Status	Status 1	Status 2	Status 3	Status 4	Unlocked with Manual Unlocking Key		
	<ul style="list-style-type: none"> Door Closed Machine ready to operate Solenoid energized 	<ul style="list-style-type: none"> Door Closed Machine cannot be operated Solenoid de-energized 	<ul style="list-style-type: none"> Door Open Machine cannot be operated Solenoid de-energized 	<ul style="list-style-type: none"> Door Open Machine cannot be operated Solenoid energized 		<ul style="list-style-type: none"> Door Closed Machine cannot be operated Solenoid de-energized → energized 	
Door Status							
Circuit Diagram (HS5E-VA7Y)							
Door	Closed (locked)	Closed (unlocked)	Open	Open	Closed (unlocked)		
Contact Configuration	HS5E-VA7Y Door Monitor (Actuator Inserted) Lock Monitor (Solenoid ON) Monitor Circuit: 11-12 Monitor Circuit: 23-24 Monitor Circuit: 41-42 Monitor Circuit: 53-54	Monitor Circuit (door closed) 11-12	ON (closed)	ON (closed)	OFF (open)	OFF (open)	ON (closed)
		Monitor Circuit (door open) 23-24	OFF (open)	OFF (open)	ON (closed)	ON (closed)	OFF (open)
		Monitor Circuit (locked) 41-42	ON (closed)	OFF (open)	OFF (open)	OFF (open)	OFF (open)
		Monitor Circuit (unlocked) 53-54	OFF (open)	ON (closed)	ON (closed)	ON (closed)	ON (closed)
	HS5E-VB7Y Monitor Circuit: 11-12 Monitor Circuit: 23-24 Monitor Circuit: 41-42 Monitor Circuit: 51-52	Monitor Circuit (door closed) 11-12	ON (closed)	ON (closed)	OFF (open)	OFF (open)	ON (closed)
		Monitor Circuit (door open) 23-24	OFF (open)	OFF (open)	ON (closed)	ON (closed)	OFF (open)
		Monitor Circuit (locked) 41-42	ON (closed)	OFF (open)	OFF (open)	OFF (open)	OFF (open)
		Monitor Circuit (locked) 51-52	ON (closed)	OFF (open)	OFF (open)	OFF (open)	OFF (open)
	HS5E-VC7Y Monitor Circuit: 11-12 Monitor Circuit: 21-22 Monitor Circuit: 41-42 Monitor Circuit: 53-54	Monitor Circuit (door closed) 11-12	ON (closed)	ON (closed)	OFF (open)	OFF (open)	ON (closed)
		Monitor Circuit (door closed) (locked) 21-22	ON (closed)	ON (closed)	OFF (open)	OFF (open)	ON (closed)
		Monitor Circuit (locked) 41-42	ON (closed)	OFF (open)	OFF (open)	OFF (open)	OFF (open)
		Monitor Circuit (unlocked) 53-54	OFF (open)	ON (closed)	ON (closed)	ON (closed)	ON (closed)
	HS5E-VD7Y Monitor Circuit: 11-12 Monitor Circuit: 21-22 Monitor Circuit: 41-42 Monitor Circuit: 51-52	Monitor Circuit (door closed) 11-12	ON (closed)	ON (closed)	OFF (open)	OFF (open)	ON (closed)
		Monitor Circuit (door closed) (locked) 21-22	ON (closed)	ON (closed)	OFF (open)	OFF (open)	ON (closed)
		Monitor Circuit (locked) 41-42	ON (closed)	OFF (open)	OFF (open)	OFF (open)	OFF (open)
		Monitor Circuit (locked) 51-52	ON (closed)	OFF (open)	OFF (open)	OFF (open)	OFF (open)
Solenoid Power A1-A2 (all types)	ON (energized)	OFF (de-energized)	OFF (de-energized)	ON (energized) (Note 2)	OFF (de-energized) to ON (energized) (Note 1) (Note 2)		

- The above contact configuration shows the status when the actuator is inserted and locked.
- Monitor Circuit: Sends monitoring signals of protective door open/closed status or protective door lock/unlock status.

- Note 1: Do not attempt manual unlocking when the solenoid is energized.
- Note 2: Do not energize the solenoid for a long time while the door is open or when the door is unlocked manually.

• Operation Characteristics (reference)



- The operation characteristics shown in the chart above are of the HS9Z-A51. For other actuator types, add 1.3 mm.
- The operation characteristics show the contact status when the actuator enters the entry slot of an interlock switch.

HS5E Miniature Interlock Switches with Solenoid



Safety Precautions

- In order to avoid electric shock or fire, turn power off before installation, removal, wire connection, maintenance, or inspection of the interlock switch.
- If relays are used in the circuit between the interlock switch and the load, consider the danger and use safety relays, since welded or sticking contacts of standard relays may invalidate the functions of the interlock switch. Perform a risk assessment and establish a safety circuit which satisfies the requirement of the safety category.
- Do not place a PLC in the circuit between the interlock switch and the load. Safety security can be endangered in the event of a malfunction of the PLC.
- Do not disassemble or modify the interlock switch, otherwise a breakdown or an accident may occur.
- Do not install the actuator in a location where the human body may come in contact. Otherwise injury may occur.
- Solenoid lock type is locked when energized, and unlocked when de-energized. When energization is interrupted due to wire disconnection or other failures, the interlock switch may be unlocked causing possible danger to the operators. Solenoid lock type must not be used in applications where locking is strictly required for safety. Perform a risk assessment and determine whether solenoid lock type is appropriate.
- When changing the head orientation, disconnect the cable and turn the manual unlock to the UNLOCK position in advance. If the head orientation is changed when the cable is connected and the manual unlock is in the LOCK position, machines may start to operate, causing danger to the operators.
- When using the four-circuit independent output type as an input to safety circuit, connect the door monitor circuits (11-12, 21-22, 31-32) and lock monitor circuits (41-42, 51-52, 61-62) in series.

Instructions

- Regardless of door types, do not use the interlock switch as a door stop. Install a mechanical door stop at the end of the door to protect the interlock switch against excessive force.
- Do not apply excessive shock to the interlock switch when opening or closing the door. A shock to the interlock switch exceeding 1,000 m/s² may cause damage to the interlock switch.
- Prevent foreign objects such as dust and liquids from entering the interlock switch while connecting a conduit or wiring.
- If the operating atmosphere is contaminated, use a protective cover to prevent the entry of foreign objects into the interlock switch through the actuator entry slots.
- Entry of foreign objects into the interlock switch may affect the mechanism of the interlock switch and cause a breakdown.
- Plug the unused actuator entry slot using the slot plug supplied with the interlock switch.
- Do not store the interlock switches in a dusty, humid, or organic-gas atmosphere.
- Use proprietary actuators only. When other actuators are used, the interlock switch may be damaged.
- Do not open the lid of the interlock switch. Loosening the screws may cause damage to the interlock switch.
- The actuator retention force is 1000N. Do not apply a load higher than the rated value. When a higher load is expected, provide an additional system consisting of another interlock switch without lock (such as the HS5B interlock switch) or a sensor to detect door opening and stop the machine.
- Regardless of door types, do not use the interlock switch as a door lock. Install a separate lock using a latch or other measures.
- While the solenoid is energized, the interlock switch temperature rises approximately 40°C above the ambient temperature (to approximately 90°C while the ambient temperature is 50°C). To prevent burns, do not touch. If cables come into contact with the interlock switch, use heat-resistant cables.
- Although the HS9Z-A51A and HS9Z-A52A actuators (w/rubber bushings) alleviate the shock when the actuator enters a slot in the interlock switch, make sure that excessive shock is not applied. If the rubber bushings become deformed or cracked, replace with new ones.

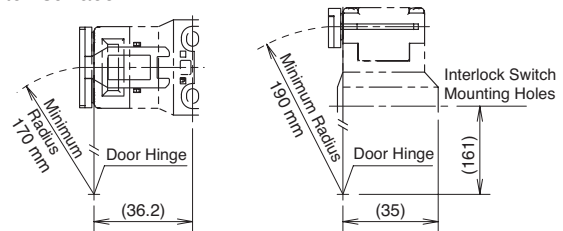
Minimum Radius of Hinged Door

- When using the interlock switch for a hinged door, refer to the minimum radius of doors shown below. For the doors with small minimum radius, use angle adjustable actuators (HS9Z-A53 or HS9Z-A55).

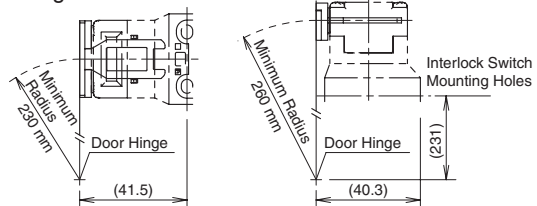
Note: Because deviation or dislocation of hinged door may occur in actual applications, make sure of the correct operation before installation.

HS9Z-A52 Actuator

- When the door hinge is on the extension line of the interlock switch surface:

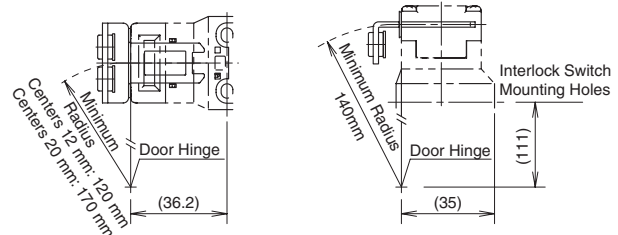


- When the door hinge is on the extension line of the actuator mounting surface:



HS9Z-A52A Actuator (w/rubber bushings)

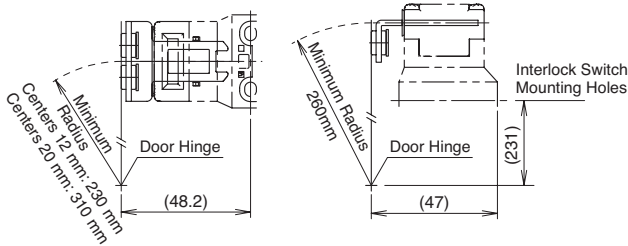
- When the door hinge is on the extension line of the interlock switch surface:



HS5E Miniature Interlock Switches with Solenoid

Instructions

- When the door hinge is on the extension line of the actuator mounting surface:

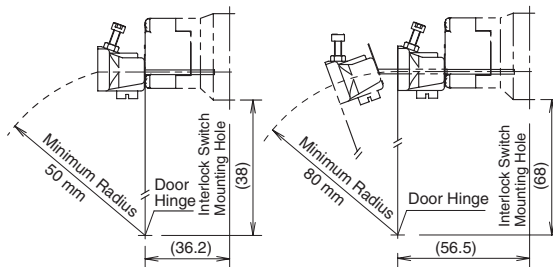


Actuator Angle Adjustment

- Using the angle adjustment screw, the actuator angle can be adjusted (refer to the dimensional drawing on page 11). Adjustable angle: 0 to 20°
- The larger the adjusted angle of the actuator, the smaller the applicable radius of the door opening.
- After installing the actuator, open the door. Then adjust the actuator so that its edge can be inserted properly into the actuator entry slot of the interlock switch.
- After adjusting the actuator angle, apply Loctite to the adjustment screw so that the screw will not move.

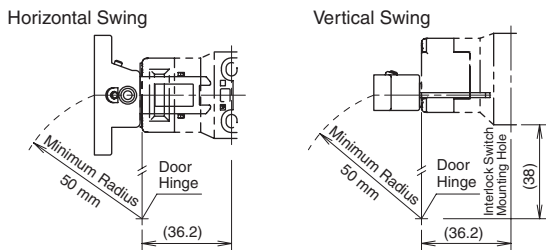
When using the HS9Z-A53 Angle Adjustable (vertical) Actuator

- When the door hinge is on the extension line of the interlock switch surface: 50 mm
- When the door hinge is on the extension line of the actuator mounting surface: 80 mm

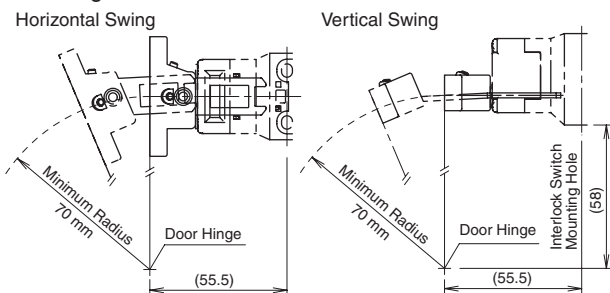


When using the HS9Z-A55 Angle Adjustable (vertical/horizontal) Actuator

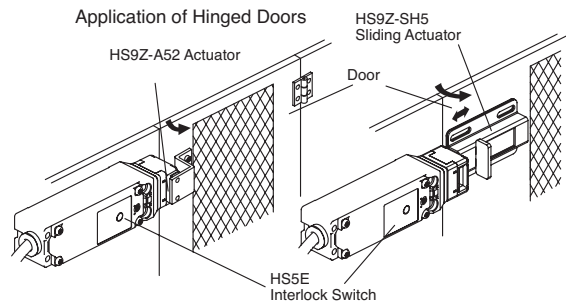
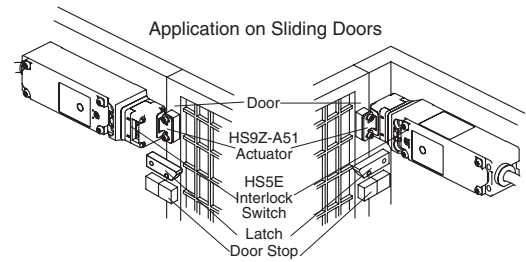
- When the door hinge is on the extension line of the interlock switch surface: 50 mm



- When the door hinge is on the extension line of the actuator mounting surface: 70 mm

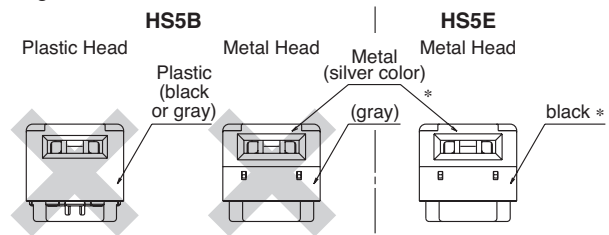


Mounting Examples



Installing the Head

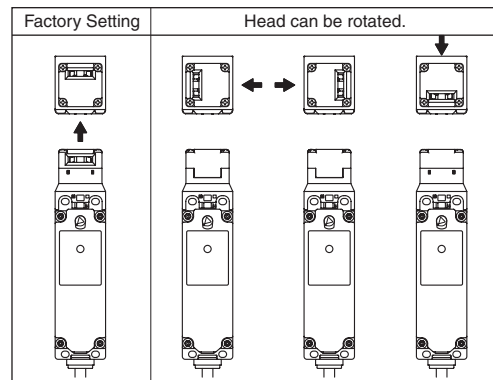
Do not use the plastic and metal head of the HS5B interlock switches on the HS5E. The metal heads of the HS5E and HS5B interlock switches look similar. When using these interlock switches adjacently, ensure that the heads are not interchanged.



The HS5E metal head can be distinguished easily with the black plastic part (HS5E metal head has gray plastic part).

Rotating the Head

The head of the HS5E can be rotated by removing the four screws from the corners of the HS5E head and reinstalling the head in the desired orientation. Before wiring the HS5E, replace the head if necessary. Before replacing the head, turn the manual unlock to the UNLOCK position using the manual unlock key. When reinstalling the head, make sure that no foreign object enters the interlock switch. Tighten the screws tightly, without leaving space between the head and body, otherwise the interlock switch may malfunction. Recommended tightening torque: 0.9 to 1.1 N·m.



HS5E Miniature Interlock Switches with Solenoid

Instructions

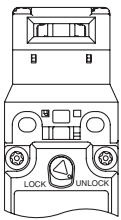
For Manual Unlocking

Spring lock type

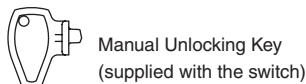
The HS5E allows manual unlocking of the actuator to pre-check proper door movement before wiring or turning power on, as well as for emergency use such as a power failure.

Solenoid lock type

The solenoid lock type interlock switch normally does not need the manual unlock. However, only when the interlock switch would not release the actuator even though the solenoid is de-energized, the interlock switch can be unlocked manually. Unlock the interlock switch manually only when the solenoid is de-energized. Do not unlock the interlock switch manually when the solenoid is energized.



- When locking or unlocking the interlock switch manually, turn the key fully using the manual unlock key supplied with the interlock switch.
- Using the interlock switch with the key not fully turned (less than 90°) may cause damage to the interlock switch or operation failures (when manually unlocked, the interlock switch will keep the main circuit disconnected and the door unlocked).
- Do not apply excessive force to the manual unlock, otherwise the manual unlock will become damaged.
- Do not leave the manual unlock key attached to the interlock switch during operation. This is dangerous because the interlock switch can always be unlocked while the machine is in operation.



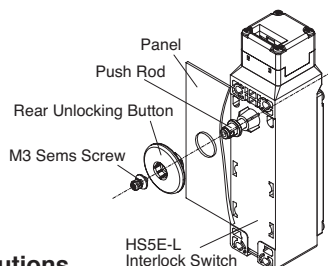
Manual Unlocking Key
(supplied with the switch)

Safety Precautions

Before manually unlocking the interlock switch, make sure that the machine has come to a complete stop. Manual unlocking during operation may unlock the interlock switch before the machine stops, and the function of interlock switch with solenoid is lost.

Installing the Rear Unlocking Button

After installing the interlock switch on the panel, place the rear unlocking button (supplied with the switch) on the push rod on the back of the interlock switch, and fasten the button using the M3 sems screw. Rear unlocking button can be installed alone when the total thickness of mounting frame and panel is 6 mm or less. When the total thickness of mounting frame, panel, and mounting plate is 23 to 43 mm, use the rear unlocking button kit (HS9Z-FL53 or HS9Z-FL54) sold separately.

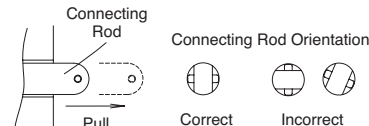
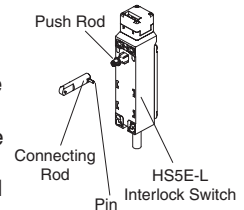


Safety Precautions

After installing the rear unlocking button, apply Loctite to the screw so that the screw does not become loose. The button is made of glass-reinforced PA66 (66 nylon). The screw is made of iron. Take the compatibility of the plastic material and Loctite into consideration.

Installing the Rear Unlocking Button Kit

1. Install the connecting rod onto the push rod on the HS5E-L rear unlocking button type interlock switch.
2. A pin is attached to the connecting rod. Insert the pin into the hole in the push rod, using pliers.
3. Pull the connecting rod from the hole in the mounting frame, and turn the button operating pin to the horizontal position.



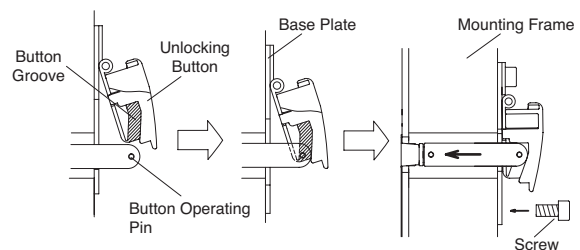
Safety Precautions

Ensure that the connecting rod is pulled out completely and it is horizontal to the interlock switch, otherwise the unlocking button cannot be installed.

Note: Frame must be supplied by the user.

For the mounting hole layout of interlock switches, see page 12. When using the mounting plate HS9Z-SP51, provide a hole for the connecting rod in the plate according to the mounting plate mounting hole layout shown on page 12.

4. Install the unlocking button on the connecting rod by fitting the pin to the grooves on the back of the button, and fasten the base plate on the mounting frame using the screws.



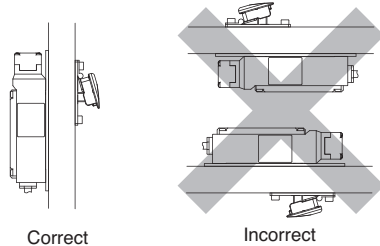
5. After fastening the screws, check if locking and unlocking operations can be performed.

HS5E Miniature Interlock Switches with Solenoid

Instructions

Safety Precautions

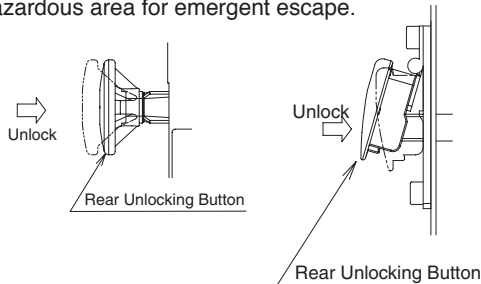
Install the rear unlocking button kit in the correct direction as shown below. Do not install the kit in incorrect directions, otherwise malfunction will be caused.



Do not apply strong force exceeding 100 m/s² to the interlock switch while the rear unlocking button is not pressed, otherwise malfunction will be caused.

Manual Unlocking using the Rear Unlocking Button

- The rear unlocking button is used by the operator confined in a hazardous area for emergent escape.



How to operate

- When the rear unlocking button is pressed, the interlock switch is unlocked and the door can be opened.
- To lock the interlock switch, pull back the button.
- When the button remains pressed, the interlock switch cannot be locked even if the door is closed, and the main circuit remains open.

Safety Precautions

- Install the rear unlocking button in the place where only the operator inside the hazardous area can use it. Do not install the button in the place where an operator outside the hazardous area can use it, otherwise the interlock switch can be unlocked during usual machine operation, causing danger.
- Operate the rear unlocking button by hand only. Do not operate using a tool or with excessive force. Do not apply force to the button from the direction other than the proper direction, otherwise the button will be damaged.

Recommended Tightening Torque

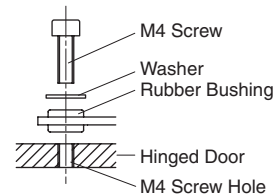
- HS5E interlock switch: 1.8 to 2.2 N·m (four M4 screws)
(Note)
- Rear unlocking button: 0.5 to 0.7 N·m
- Rear unlocking button kit: 4.8 to 5.2 N·m (M5 screw)
- Actuators
 - HS9Z-A51: 1.8 to 2.2 N·m (two M4 screws)
 - HS9Z-A52: 0.8 to 1.2 N·m (two M4 Phillips screws)
 - HS9Z-A51A/A52A: 1.0 to 1.5 N·m (two M4 screws)
 - HS9Z-A53: 4.5 to 5.5 N·m (two M6 screws)
 - HS9Z-A55: 1.0 to 1.5 N·m (two M4 screws)

Note: The above recommended tightening torque of the mounting screws are the values with hex socket head bolts. When other screws are used and tightened to a smaller torque, make sure that the screws do not become loose after mounting.

- To avoid unauthorized or unintended removal of the interlock switch and the actuator, it is recommended that the interlock switch and the actuator are installed in an unremovable manner, for example using special screws or welding the screws.
- When installing the HS9Z-A51A and HS9Z-A52A actuators, use the washer (supplied with the actuator) on the hinged door, and mount tightly using two M4 screws.

Mounting centers:

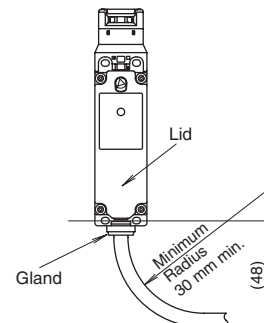
12 mm (factory setting), adjustable to 20 mm



Note: Choose mounting centers of either 12 mm or 20 mm.

Cables

- Do not fasten or loosen the gland at the bottom of the safety switch.
- When bending the cable during wiring, make sure that the cable radius is kept at 30 mm minimum.
- When wiring, make sure that water or oil does not enter the cable.
- Do not open the lid of the interlock switch. Otherwise the interlock switch will be damaged.
- Solenoid has polarity. Be sure of the correct polarity when wiring.



HS5E Miniature Interlock Switches with Solenoid

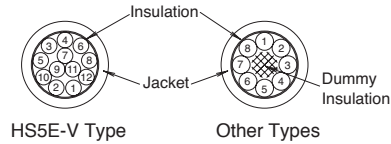
Instructions

Wire Identification

Wires can be identified by color and a white line printed on the wire.

- HS5E-V: Wires of gray and gray/white insulation cannot be used.
- HS5E-DD: Wires of brown and brown/white insulation cannot be used.

No.	Insulation	No.	Insulation	No.	Insulation	No.	Insulation
1	White	4	Blue	7	Blue/White	10	Pink/White
2	Black	5	Brown/White	8	Orange/White	11	Gray
3	Brown	6	Orange	9	Pink	12	Gray/White



Terminal Number Identification

- When wiring, the terminal number of each contact can be identified by wire color.
- The following table shows the identification of terminal numbers.

Type	Circuit Diagram
HS5E-A	<p>Door Monitor Lock Monitor</p> <p>Main Circuit: Blue ① 11 — 12 — 41 — 42 Blue/White Monitor Circuit: Orange 23 — 24 Orange/White Monitor Circuit: Brown 53 — 54 Brown/White</p>
HS5E-B	<p>Main Circuit: Blue ① 11 — 12 — 41 — 42 Blue/White Monitor Circuit: Orange 23 — 24 Orange/White Monitor Circuit: Brown 51 — 52 Brown/White</p>
HS5E-C	<p>Main Circuit: Blue ① 11 — 12 — 41 — 42 Blue/White Monitor Circuit: Orange ② 21 — 22 Orange/White Monitor Circuit: Brown 53 — 54 Brown/White</p>
HS5E-D	<p>Main Circuit: Blue ① 11 — 12 — 41 — 42 Blue/White Monitor Circuit: Orange ② 21 — 22 Orange/White Monitor Circuit: Brown 51 — 52 Brown/White</p>
HS5E-F	<p>Main Circuit: Blue ① 11 — 12 — 41 — 42 Blue/White Monitor Circuit: Orange ② 21 — 22 Orange/White Monitor Circuit: Brown ③ 31 — 32 Brown/White</p>
HS5E-G	<p>Main Circuit: Blue ① 11 — 12 — 41 — 42 Blue/White Monitor Circuit: Orange ② 21 — 22 Orange/White Monitor Circuit: Brown 33 — 34 Brown/White</p>
HS5E-H	<p>Main Circuit: Blue ① 11 — 12 — 41 — 42 Blue/White Monitor Circuit: Brown 51 — 52 Brown/White Monitor Circuit: Orange 61 — 62 Orange/White</p>
HS5E-J	<p>Main Circuit: Blue ① 11 — 12 — 41 — 42 Blue/White Monitor Circuit: Brown 51 — 52 Brown/White Monitor Circuit: Orange 63 — 64 Orange/White</p>
HS5E-DD	<p>Main Circuit: Blue ① 11 — 12 — 41 — 42 Blue/White Main Circuit: Orange ② 21 — 22 — 51 — 52 Orange/White</p>

- When wiring, cut unnecessary wires such as the dummy insulation (white) and any unused wires.

Type	Circuit Diagram
HS5E-VA	<p>Door Monitor Lock Monitor</p> <p>Monitor Circuit: Blue ① 11 — 12 Blue/White Pink 41 — 42 Pink/White Monitor Circuit: Orange 23 — 24 Orange/White Monitor Circuit: Brown 53 — 54 Brown/White</p>
HS5E-VB	<p>Monitor Circuit: Blue ① 11 — 12 Blue/White Pink 41 — 42 Pink/White Monitor Circuit: Orange 23 — 24 Orange/White Monitor Circuit: Brown 51 — 52 Brown/White</p>
HS5E-VC	<p>Monitor Circuit: Blue ① 11 — 12 Blue/White Pink 41 — 42 Pink/White Monitor Circuit: Orange ② 21 — 22 Orange/White Monitor Circuit: Brown 53 — 54 Brown/White</p>
HS5E-VD	<p>Monitor Circuit: Blue ① 11 — 12 Blue/White Pink 41 — 42 Pink/White Monitor Circuit: Orange ② 21 — 22 Orange/White Monitor Circuit: Brown 51 — 52 Brown/White</p>

- The above contact configuration shows the status when the actuator is inserted and locked.

HS5B Miniature Interlock Switches

Available with a robust and durable metal head.

Choice of three conduit port sizes: G1/2, PG13.5, and M20

- Actuators are interchangeable with the HS5E interlock switches.
- Actuators with rubber bushings are ideal for rattling doors.
- Double insulation structure eliminates the need for grounding.
- The head orientation can be rotated, allowing 8 different actuator entries.
- Degree of protection (contacts): IP67 (IEC 60529)
- NC contacts are direct opening action (IEC/EN 60947-5-1)
- Dedicated actuators prevent unauthorized opening of the contacts (ISO 14119, EN 1088).
- Compact body: 30 × 30 × 90 mm



Types

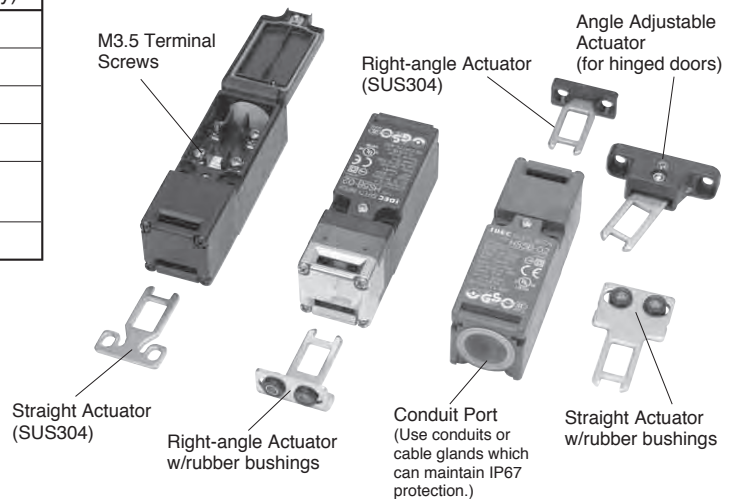
Contact Configuration	Conduit Port Size	Type No. (Package quantity: 1)	
		Plastic Head Type	Metal Head Type
1NC-1NO 	G 1/2	HS5B-11B	HS5B-11ZB
	PG 13.5	HS5B-11NP	—
	M 20	HS5B-11BM	HS5B-11ZBM
2NC 	G 1/2	HS5B-02B	HS5B-02ZB
	PG 13.5	HS5B-02NP	—
	M 20	HS5B-02BM	HS5B-02ZBM

The above contact configuration shows the status when the actuator is inserted and locked.

Actuators

Description	Type No. (Package Quantity)
Straight Actuator	HS9Z-A51
Straight Actuator w/rubber bushing	HS9Z-A51A
Right-angle Actuator	HS9Z-A52
Right-angle Actuator w/rubber bushing	HS9Z-A52A
Angle Adjustable Actuator (for hinged doors)	HS9Z-A55
Sliding Actuator	HS9Z-SH5

Parts Description

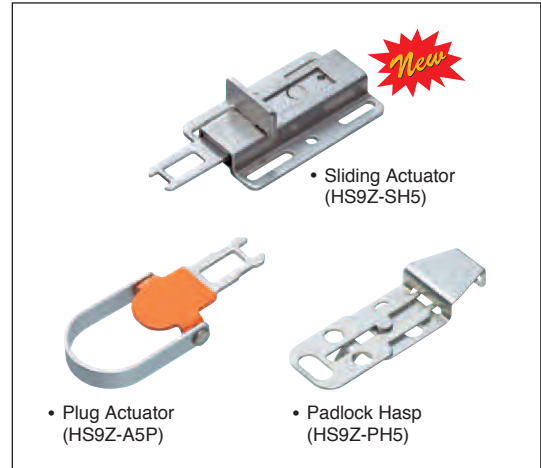
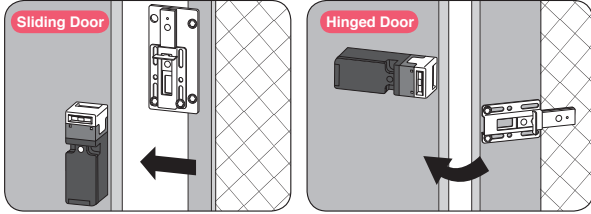


Safety Product Accessories for HS5B/5E Miniature Interlock Switches

IDEC's safety product accessories ensure an even higher level of safety.

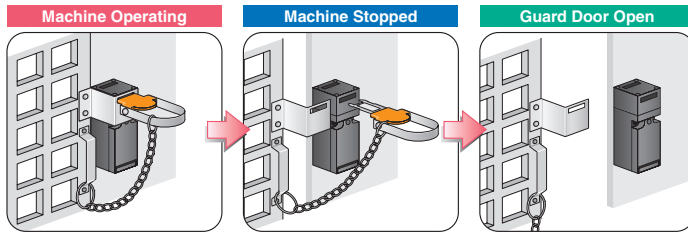
• **Sliding Actuator** *New*

Because angle adjustment is not necessary, the actuator can be positioned easily. The actuator can be installed both vertically and horizontally, making it possible to install the actuator in any type of doors.

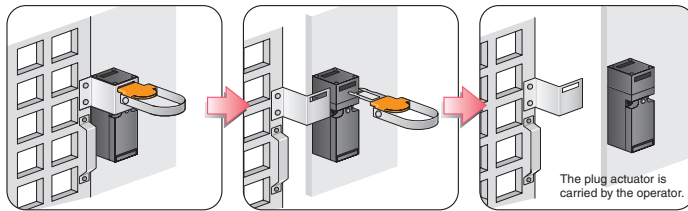


• **Plug Actuator**

Ideal on protective doors where conventional actuators cannot be used.

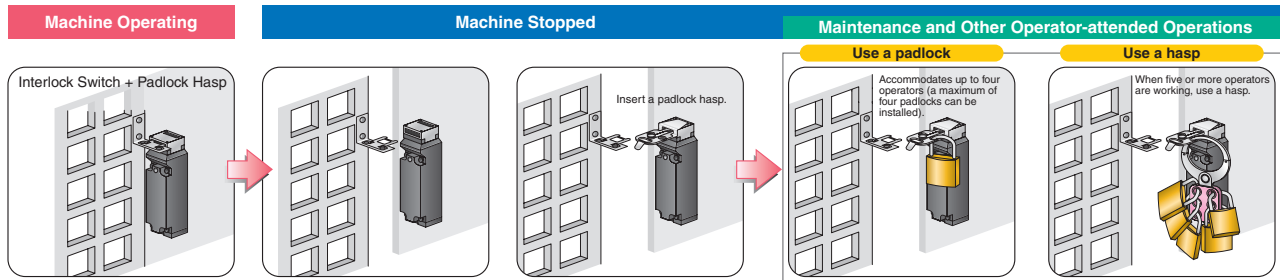


Without chaining to the protective door, the plug actuator can be used as a hostage key.



• **Padlock Hasp**

Ensures safety when two or more operators enter a hazardous area.



Specifications and other descriptions in this catalog are subject to change without notice.



IDEC CORPORATION

7-31, Nishi-Miyahara 1-Chome, Yodogawa-ku, Osaka 532-8550, Japan
 Tel: +81-6-6398-2571, Fax: +81-6-6392-9731
 E-mail: marketing@idec.co.jp

IDEC CORPORATION (USA)
 1175 Elko Drive, Sunnyvale, CA 94089-2209, USA
 Tel: +1-408-747-0550 / (800) 262-IDEC (4332)
 Fax: +1-408-744-9055 / (800) 635-6246
 E-mail: opencontact@idec.com

IDEC CANADA LIMITED
 3155 Pepper Mill Court, Unit 4, Mississauga, Ontario, L5L 4X7, Canada
 Tel: +1-905-890-8561, Toll Free: (888) 317-4332
 Fax: +1-905-890-8562
 E-mail: sales@ca.idec.com

IDEC AUSTRALIA PTY. LTD.
 2/3 Macro Court, Rowville, Victoria 3178, Australia
 Tel: +61-3-9763-3244, Toll Free: 1800-68-4332
 Fax: +61-3-9763-3255
 E-mail: sales@au.idec.com

IDEC ELECTRONICS LIMITED
 Unit 2, Beechwood, Chineham Business Park, Basingstoke, Hampshire RG24 8WA, UK
 Tel: +44-1256-321000, Fax: +44-1256-327755
 E-mail: sales@uk.idec.com

IDEC ELEKTROTECHNIK GmbH
 Wendenstrasse 331, 20537 Hamburg, Germany
 Tel: +49-40-25 30 54 - 0, Fax: +49-40-25 30 54 - 24
 E-mail: service@idec.de

IDEC (SHANGHAI) CORPORATION
 Room 608-609, 6F, Gangtai Plaza, No. 700, Yan'an East Road, Shanghai 200001, PRC
 Tel: +86-21-5353-1000, Fax: +86-21-5353-1263
 E-mail: idec@cn.idec.com

IDEC (BEIJING) CORPORATION
 Room 211B, Tower B, The Grand Pacific Building, 8A Guanghua Road, Chaoyang District, Beijing 100026, PRC
 Tel: +86-10-6581-6131, Fax: +86-10-6581-5119

IDEC (SHENZHEN) CORPORATION
 Unit AB-3B2, Tian Xiang Building, Tian'an Cyber Park, Fu Tian District, Shenzhen, Guang Dong 518040, PRC
 Tel: +86-755-8356-2977, Fax: +86-755-8356-2944

IDEC IZUMI (H.K.) CO., LTD.
 Units 11-15, Level 27, Tower 1, Millennium City 1, 388 Kwun Tong Road, Kwun Tong, Kowloon, Hong Kong
 Tel: +852-2803-8989, Fax: +852-2565-0171
 E-mail: info@hk.idec.com

IDEC TAIWAN CORPORATION
 8F-1, No. 79, Hsin Tai Wu Road, Sec. 1, Hsi-Chih, Taipei County, Taiwan
 Tel: +886-2-2698-3929, Fax: +886-2-2698-3931
 E-mail: service@tw.idec.com

IDEC IZUMI ASIA PTE. LTD.
 No. 31, Tannery Lane #05-01, HB Centre 2, Singapore 347788
 Tel: +65-6746-1155, Fax: +65-6844-5995
 E-mail: info@sg.idec.com