

Regulator RH(V)12 is dedicated to adjust the voltage supplied for the different electric loads (motors, heaters, lighting). Performs phase control.

It is designed to work with the controller with continuous output - ver. **RV**
or you can adjust the potentiometer on the unit - ver. **RH**.

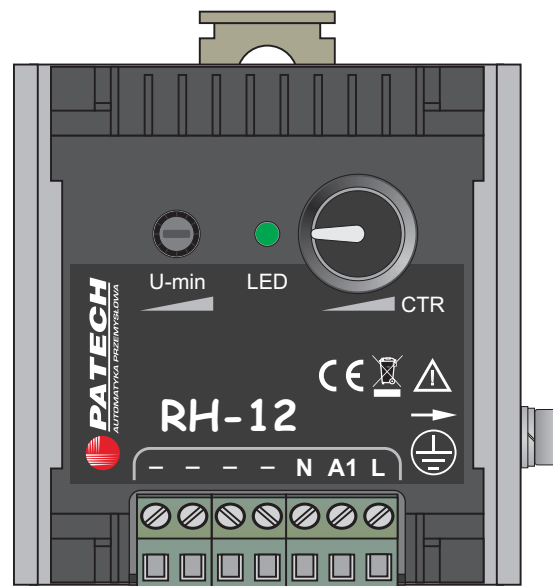
Inputs and outputs are galvanically isolated ($U_i=2500$ Vac).

All versions have a built-in snubber RC for protection of the triak.

Housing mounted on the DIN rail [En520035].

Application for Control:

- temperature electric ovens,
- linear or spot welders,
- primary-side voltage transformers,
- lighting,
- fan speed, mixer speed, etc.



TECHNICAL DATA

Output LOAD	12 A
Power supply	195...230...253 V a.c.
Supply voltage frequency	50 Hz
Power consumption	<2,5 VA

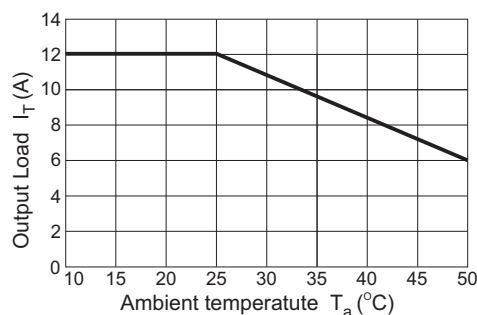
Type of control:

- continuous signal <i>ver. RV</i>	0...5 V (10 V)	- input impedance >10 k
	4...20mA	- input impedance =250

- potentiometer (integrated)
ver. RH

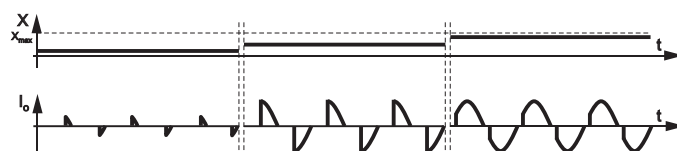
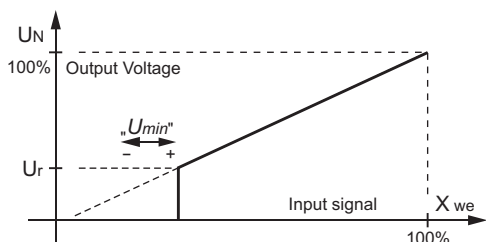
The relative humidity	25...85 %
Operating temperature	0...50 °C
Storage temperature	-25...70 °C

Protection degree	IP20 (EN 60529)
Conforms to	EN 60947
Dimensions	72 x 50 (57) x 91 mm
Weight	67 g



VOLTAGE REGULATOR

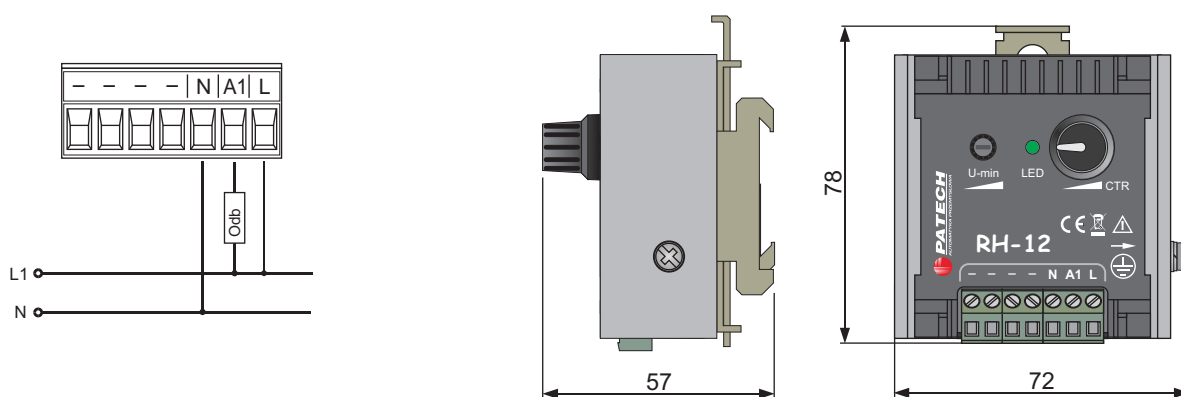
The voltage regulator performs phase control. You can adjust the potentiometer "CONTROL" - wer. **RH-12** or one of the four ranges of the analog input signal- wer. **RV-12**.



You can set the initial value of the voltage U_r (eg. starting voltage for the motor) U_r range: 0 to 130 V (potentiometr "U-min").

RH - 12 / adjust the potentiometer /

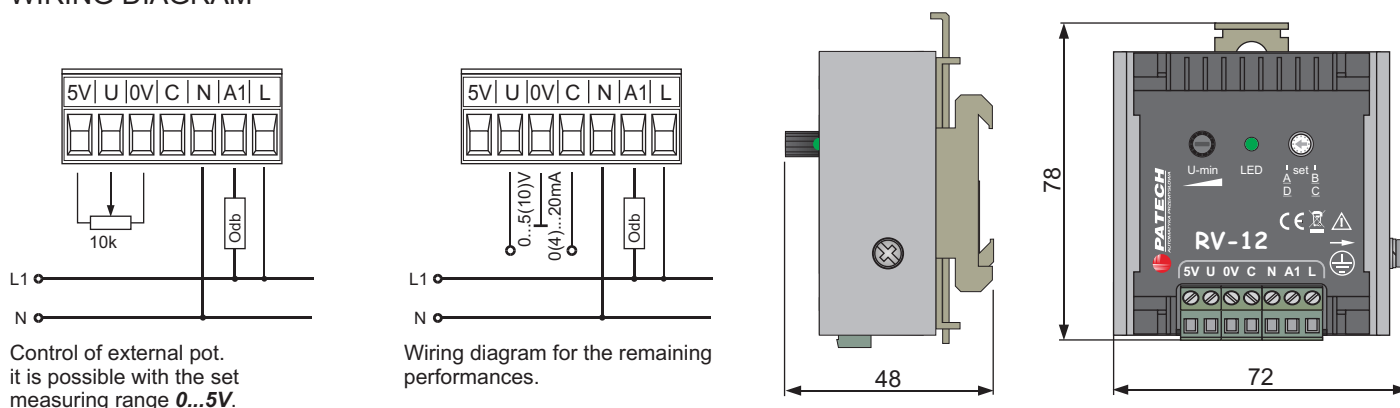
WIRING DIAGRAM



RV - 12 / universal analog input /

- set - A** control 0...5V or external potentiometr (terminal U)
- set - B** control 0...10V (terminal U)
- set - C** control 0...20mA (terminal C)
- set - D** control 4...20mA (terminal C)

WIRING DIAGRAM



Note: In order to meet the EMC requirements in terms of noise emissions, should be used in the load circuit Inductor or noise filter.

 www.tme.pl

Transfer Multisort Elektronik Sp. z o.o.

Siedziba: ul. Ustronna 41, 93-350 Łódź, Polska, adres do korespondencji: 90-951 Łódź 40, PO BOX 2071
tel. (+48 42) 645 55 55, fax (+48 42) 645 55 00, e-mail: tme@tme.pl, www.tme.pl

NIP: 729-010-89-84, REGON: 473171710, Sąd Rejonowy dla Łodzi-Śródmieścia, nr KRS: 0000165815, kapitał zakładowy: 3 300 000 zł