

AUTOTRANSFORMER REGULATOR FOR VENTILATION AND HEATING SYSTEMS

ARW



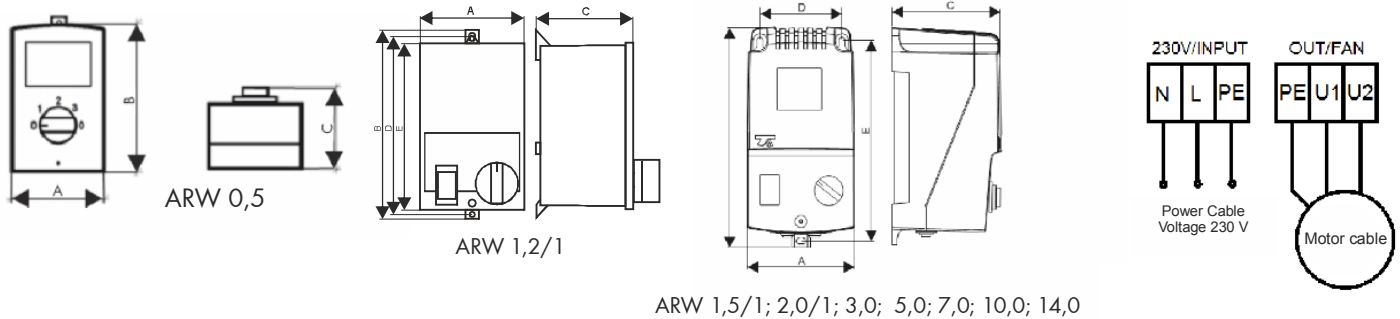
Autotransformer regulators serve the purpose of airflow control, fitted in single-phase ventilation and heating systems. The transformers are made with Class II insulation and protection grade IP30 or IP54, maximum ambient temperature 40°C, thermal class of insulation B (130°C). Manufactured in compliance with EN 61558-2-13.



Rated current SEC: 0,5 - 14 A

Rated voltage PRI: 230 V 50/60 Hz

Rated voltage SEC: 5-step regulation



Type	Current [A]	Upri [V]	Ur[V] / Ir[A]				
			1	2	3	4	5
ARW 0,5	0,5	230	110/0,5	170/0,5	230/0,5	x	x
ARW 1,2/1	1,2	230	115/0,9	135/1,0	155/1,1	180/1,2	230/1,2
ARW 1,5	1,5	230	115/1,5	135/1,5	155/1,5	180/1,5	230/1,5
ARW 2,0/1 IP54	2	230	115/1,0	135/1,5	155/1,7	180/2,0	230/2,0
ARW 3,0 IP54	3	230	115/2,2	135/2,5	155/2,8	180/3,0	230/3,0
ARW 5,0	5	230	80/4,0	105/4,3	135/4,6	170/5,0	230/5,0
ARW 7,0	7	230	80/6,0	105/6,3	135/6,6	170/7,0	230/7,0
ARW 10,0	10	230	80/6,5	105/7,5	135/8,5	170/10,0	230/10
ARW 14,0	14	230	80/8,0	105/9,5	135/11	170/12,5	230/14

Type	Dimensions [mm]					Mounting	Weight [kg]
	A	B	C	D	E		
ARW 0,5	70	111	77	x	x	M4	0,7
ARW 1,2/1	77	138	71	128	128	M4	1,40
ARW 1,5	96	166	91	78	148	M4	1,50
ARW 2,0/1 IP54	96	166	91	78	148	M4	2,30
ARW 3,0 IP54	96	166	91	78	148	M4	2,50
ARW 5,0	145	210	145	100	155	M6	4,50
ARW 7,0	145	210	145	100	155	M6	5,50
ARW 10,0	147	277	155	113	255	M6	8,50
ARW 14,0	147	277	155	113	255	M6	10,50

Because of the constant development of product construction and changes concerning technical requirements, Breve-Tufvassons Company reserves the right to change the parameters mentioned above.

