



Mini Mono P and Mini Mono V

- High quality siren sound
- Bayonet mounting plate for ease of installation
- Choice of voltages
- Choice of horizontal (Mini Mono P) or vertical (Mini Mono V) mounting arrangement
- Low voltage DC and high voltage AC for use in all applications

The Mini Mono P is a small siren designed for fire and general alarm signalling.

Designed for ease of mounting, it has a separate mounting plate which connects to the main body with a bayonet locking action and has a locking screw for additional security.

The mounting plate is suitable for surface mounting or for use with a conduit (BESA) box depending on installation requirements.

A vertically mounting version (Mini Mono V) is also available and is fitted with a protective cover.

Applications

- Fire alarm
- General purpose alarm
- Process control
- Time signalling

Fire ✓

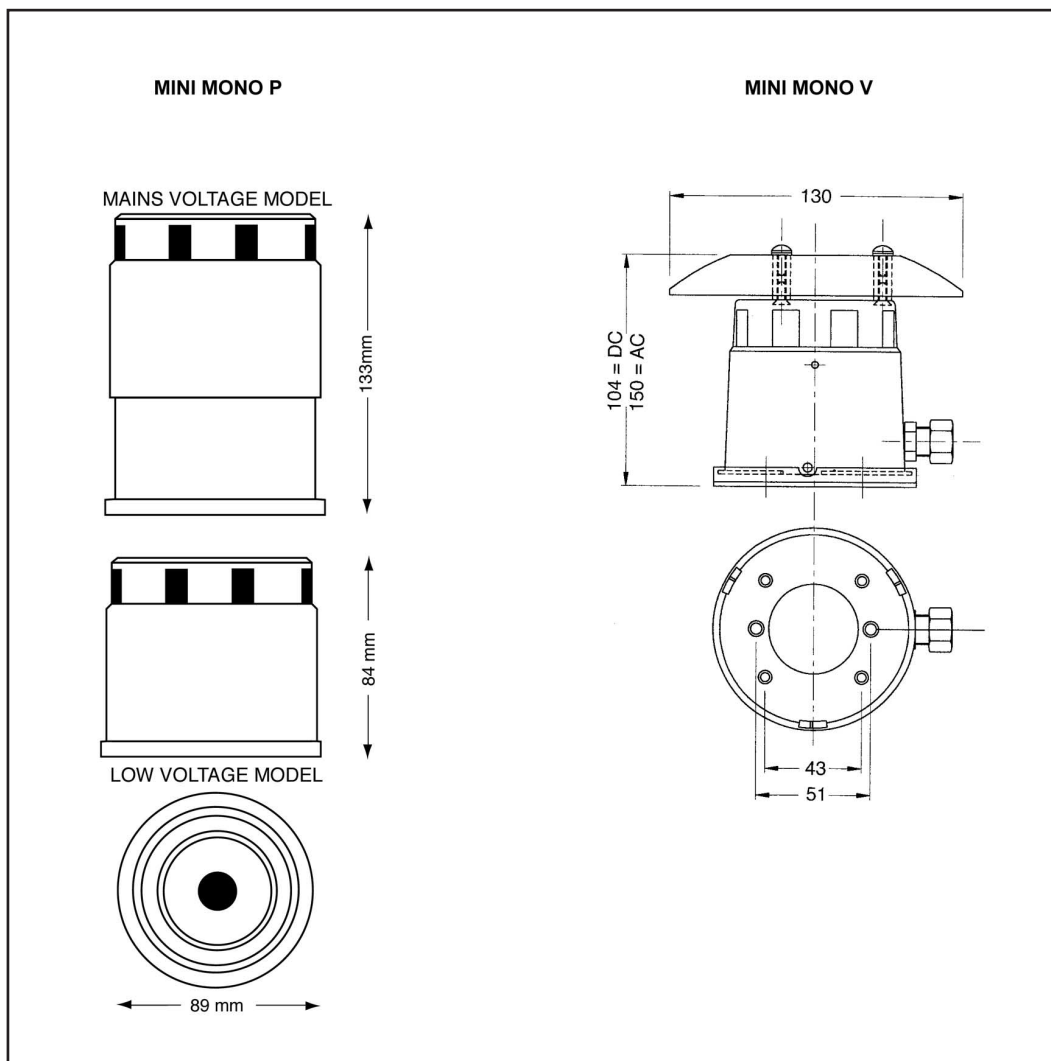
Security ✓

Industrial ✓

Railway/Marine ✗

Hazardous Area ✗

Public Warning ✗



Part No.	Colours	Audibility at 1m	Tones	Voltage	Current
Mini Mono P					
18-980224	Grey	103dB (A) ±3dB	1	12V DC	1A
18-980226	Grey	103dB (A) ±3dB	1	24V DC	0.5A
18-980228	Grey	100dB (A) ±3dB	1	110/230V AC	0.13/0.085A
Mini Mono V					
18-980235	Grey	103dB (A) ±3dB	1	12V DC	1A
18-980234	Grey	103dB (A) ±3dB	1	24V DC	0.5A
18-980236	Grey	100dB (A) ±3dB	1	110/230V AC	0.13/0.085A

IP Rating: IP44
Rating: Continuous
Frequency: 1000Hz
Operating temp: -30°C to +80°C
Construction: High impact ABS plastic
Cable Entries: 1
Colours: Grey
Weight: Mini Mono P (DC): 0.2kg; Mini Mono P (AC): 0.5kg
 Mini Mono V (DC): 0.3kg; Mini Mono V (AC): 0.6kg