

NEW



SG-Wgw IP65 voice alarm device



Product description

Main characteristics of this acoustic signaling devices, differentiating it from all other devices of this type, are:

- Wide range of supply voltage, 10 .. 32V,
- Simple addressing of alarm sequences (using the supply power levels),
- Possibility of independent programming of up to six alarm sequences,
- Ability to play custom, non-standard sounds (any sound recorded in the *.wav format),
- Ability to play voice messages of up to 65s duration (in total),
- Option of complementing each message with a warning signal of up to 60s duration (1 of 35 sound patterns),
- Capacity of digital filtering of the recording (low-pass filter, band-pass filter or high-pass filter with parameters to be set using the "SG" software),
- Operating mode as an event-triggered signaling device (for example, an impulse from the motion detector),
- Operating mode as a signaling device with the mute option,
- Operating mode as a signaling device with six alarm sequences,
- Simple programming through the "SG" software for PC computers,
- Simple loading of voice messages (copying of data from an SD card),
- Cooperation with "repetition" devices of the SG-Wgw series for the alerts to be heard over bigger facilities.
- Adjustable volume,
- Optional anti-tampering element.

The voice alarm signaling device SG-Wgw IP65 is perfectly suited for applications in:

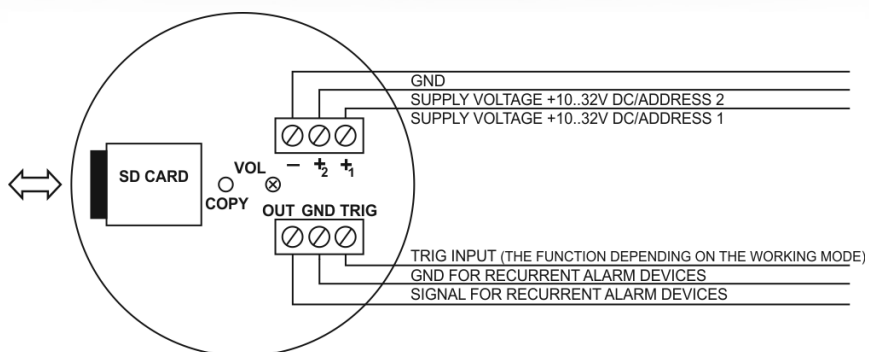
- Locations with increased pollution levels.
- Production lines which require a "machine washing cycle" at the end of the production cycle, such as slaughterhouses.
- Burglary alarm systems, fire or gas hazard signaling systems,
- Automation systems,
- Technical premises,
- In stores, as a device emitting a welcome/entry signal (located above the entrance, synchronized with a motion detector),
- Other applications where it is required to emit unusual, non-standard sounds.



NEW



Connection diagram



Technical data

Supply voltage	+10..32V DC
Current consumption	<260mA at 12V DC <125mA at 24V DC
Sound output at 1 m	>85dB
Ingress protection	IP65
Max conductor cross-section	2.5mm ²
Dimensions	120x120x65mm
Weight	645g
Range of operating temperatures	-25 ÷ 55 °C
Climate category	-25 °C/+55 °C/21
Voltage range on input TRIG	0..32V DC

