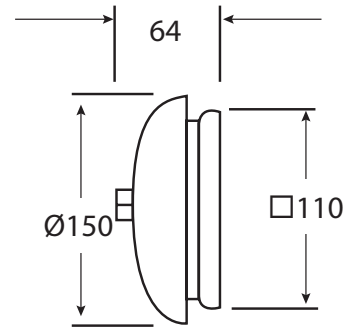
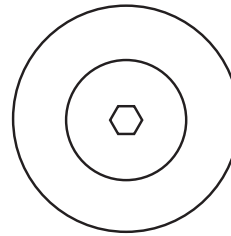


Acoustic Signals **Economy BELLS**



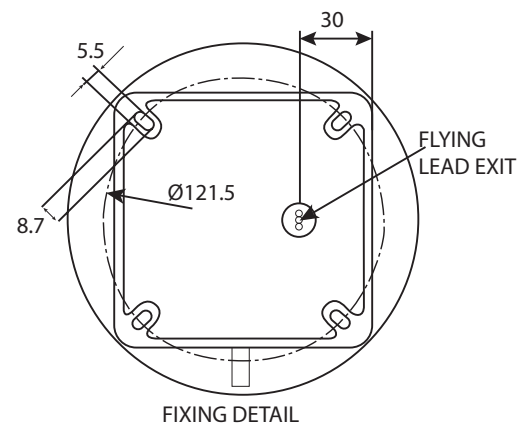
Acoustic Signals > AB6 Solenoid Series

Product overview

These traditional type bells produce their distinctive sound by means of a hardened striker powered by a solenoid, repeatedly striking the inside edge of metal gong, producing a loud & clear ringing tone.

They are suitable for light commercial/industrial use where intermittent audible signalling is required in a localised area.

The bells can be mounted on any flat surface utilising either the four mounting holes that are incorporated into the body of the casting or the universal mounting plate and gasket (supplied as standard) that offers multiple fixing location options.



Features

- Economy signal
- Distinctive sound
- Die-Cast construction
- Universal mounting plate
- Supplied with 150mm flying leads
- Powder coated gong
- IP44

Material

Steel Gong
Aluminium Body

AB6 Solenoid Series > Ordering Information

Code No:	Voltage:	Gong Size:	Current:
AB6-24DC	24v Dc ---	152mm / 6"	80 mA
AB6-115AC	115v Ac ~	152mm / 6"	60 mA
AB6-230AC	230v Ac ~	152mm / 6"	30 mA

Kg 1.2

50/60 Hz

IP 44

dB 100 +/- 3

°C -20+45

ON 15 MINS OFF 20 MINS

APPROVALS and CONFORMITIES

