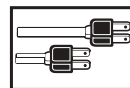


KLH-KDH

HMK



push button for easy opening/locking of horn

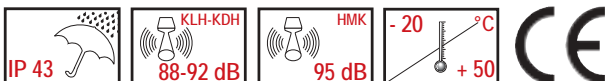


## Technical data

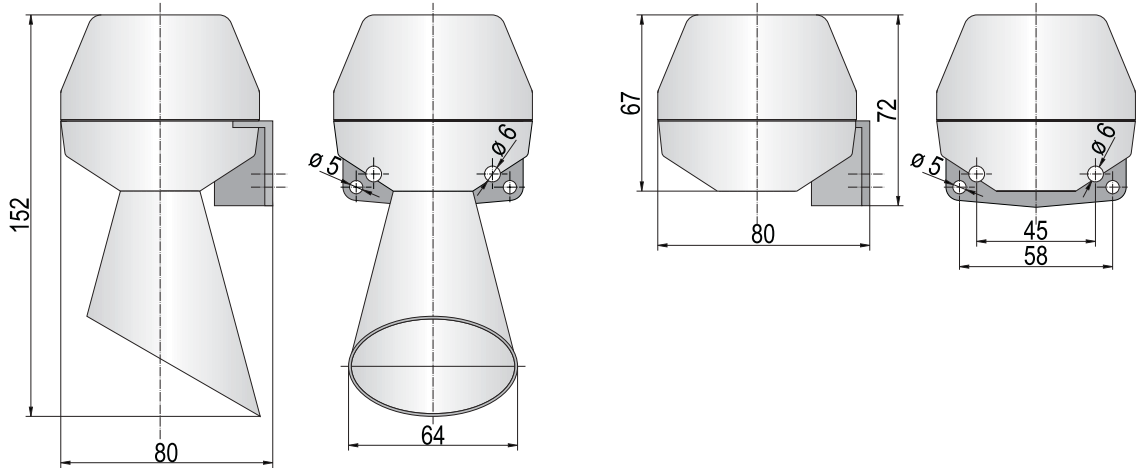
### Features

- ▶ electro-mechanical horns in smaller design
- ▶ for universal audible applications
- ▶ models with (KLH) or without cone (KDH, HMK)
- ▶ attractive price-performance ratio
- ▶ wide offering of standard and special voltages
- ▶ special lift-alarm models widths reduced nominal current
- ▶ 2 mounting widths

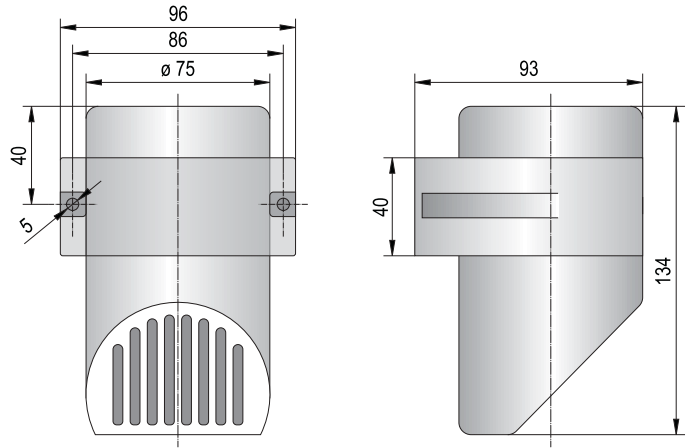
| Type                    | KLH                       | KDH   | HMK   |
|-------------------------|---------------------------|-------|-------|
| Housing, Colour         | ABS, grey                 |       |       |
| Terminal                | up to 2,5 mm <sup>2</sup> |       |       |
| Cable entry             | 6,5 - 15 mm               |       |       |
| Cable conduit           | surface or buried         |       |       |
| Mounting                | sound outlet downwards    |       |       |
| Duty cycle factor       | 100 %                     |       |       |
| Protection class        | IP 43 NEMA type 2         |       |       |
| Radio noise suppression | acc. to CENELEC EN 55014  |       |       |
| Temperature range       | -20 °C to +50 °C          |       |       |
| Sound pressure          | 88 - 92 dB                |       | 95 dB |
| Weight                  | 180 g                     | 150 g | 240 g |



KLH-KDH



HMK



## Order data

| Nominal voltage (V) | Hz          | Order No.                 |                       |                     |                       |                     |
|---------------------|-------------|---------------------------|-----------------------|---------------------|-----------------------|---------------------|
|                     |             | KLH<br>(with cone)        | KDH<br>(without cone) | Nominal current (A) | HMK<br>(without cone) | Nominal current (A) |
| 8 V AC              | 50          | 710 100 103               | 710 000 103           | 0,350               | 711 000 103           | 1,230               |
| 12 V AC             |             | 710 100 104               | 710 000 104           | 0,180               | 711 000 104           | 0,600               |
| 24 V AC             |             | 710 100 105               | 710 000 105           | 0,080               | 711 000 105           | 0,300               |
| 42 V AC             |             | 710 100 107               | 710 000 107           | 0,060               | 711 000 107           | 0,180               |
| 48 V AC             |             | 710 100 108               | 710 000 108           | 0,050               | 711 000 108           | 0,150               |
| 60 V AC             |             | 710 100 109               | 710 000 109           | 0,040               | 711 000 109           | 0,120               |
| 110 V AC            |             | 710 100 110               | 710 000 110           | 0,020               | 711 000 110           | 0,070               |
| 230 V AC            |             | 710 100 113               | 710 000 113           | 0,010               | 711 000 113           | 0,030               |
| 6 V DC              |             | 710 100 003               | 710 000 003           | 0,280               | 711 000 003           | 0,410               |
| 12 V DC             |             | 710 100 004               | 710 000 004           | 0,120               | 711 000 004           | 0,200               |
| 24 V DC             | 710 100 005 | 710 000 005               | 0,060                 | 711 000 005         | 0,110                 |                     |
| 48 V DC             | 710 100 008 | 710 000 008               | 0,030                 | 711 000 008         | 0,055                 |                     |
| 60 V DC             | 710 100 009 | 710 000 009               | 0,020                 | 711 000 009         | 0,044                 |                     |
| 110 V DC            | 710 100 010 | 710 000 010               | 0,010                 | 711 000 010         | 0,240                 |                     |
| 220 V DC            | 710 100 013 | 710 000 013               | 0,007                 | 711 000 013         | 0,012                 |                     |
|                     |             | <b>KDH-L (lift alarm)</b> |                       |                     |                       |                     |
| 6 V DC              |             | 710 030 003               |                       | 0,065               |                       |                     |