



**Part no.**  
**Article no.**  
**Catalog No.**

**SL7/4-FW**  
**171446**  
**SL7/4-FW**



Powering Business Worldwide™

## Delivery programme

Product range

Basic function  
Basic function accessories  
Mounting type  
Material

For use with

Connection to SmartWire-DT

SL7 signal towers  
SL4 signal towers  
Accessories  
Mounting brackets  
for vertical mounting  
Plastic  
Fixing screws included as standard  
SL4-PIB...  
SL4-FMS...  
SL7-CB...  
SL7-FMS...  
no

## Approvals

Product Standards  
UL File No.  
UL Category Control No.  
CSA File No.  
CSA Class No.  
North America Certification  
Degree of Protection

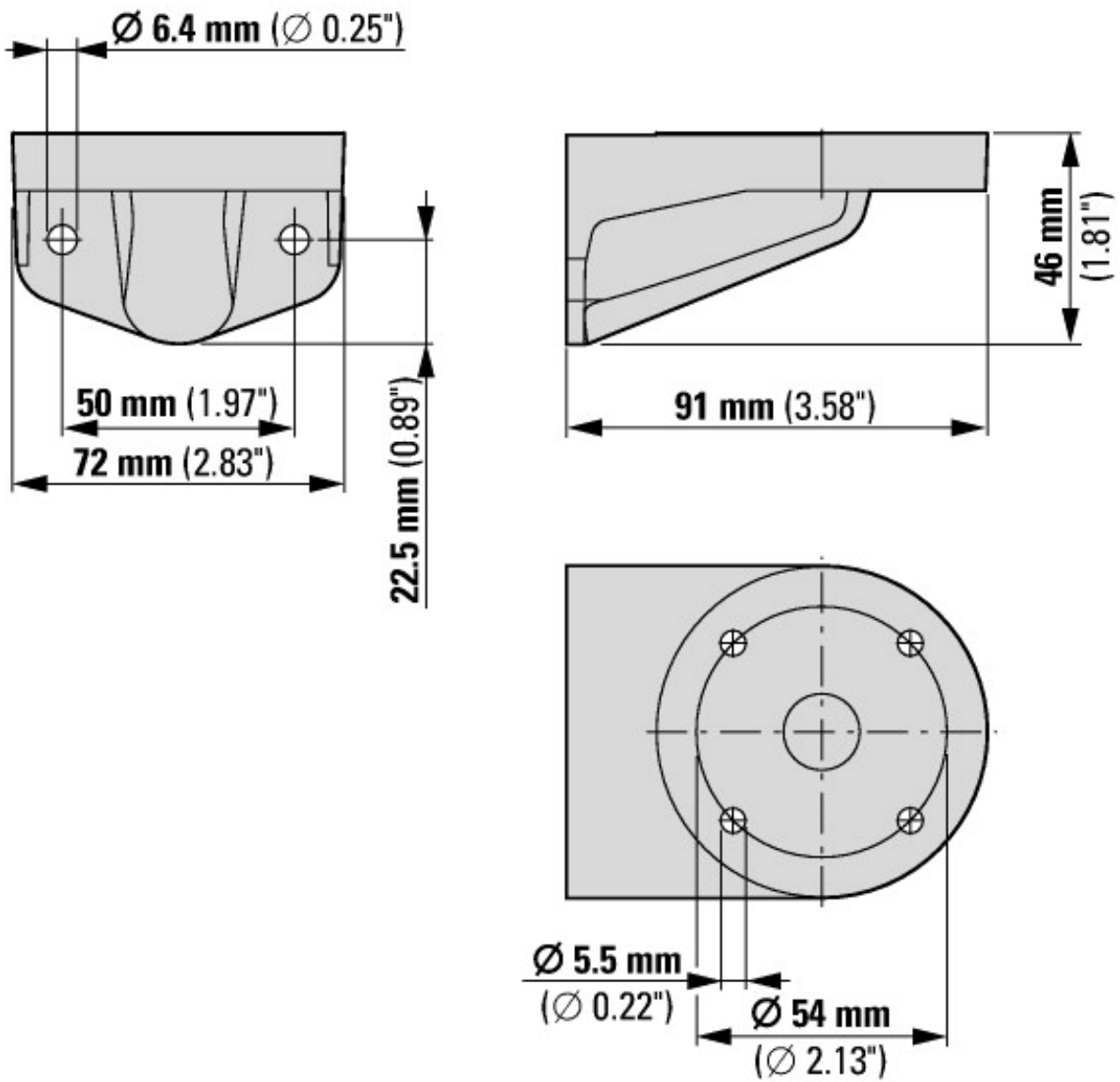
IEC/EN 60947-5-1; UL 508; CSA-C22.2 No. 14-10; CSA-C22.2 No. 94-91; CE marking  
E29184  
NKCR  
UL report applies to both US and Canada  
NKCR7  
UL listed, certified by UL for use in Canada  
UL Type 4, 4X, 13

## Technical data ETIM 5.0

Low-voltage industrial components (EG000017) / Wall bracket for signal tower (EC001153)  
Electric engineering, automation, process control engineering / Low-voltage switch technology / Command and alarm device / Signal column element, attaching bracket  
(ecl@ss8-27-37-12-33 [AKF051010])  
Mounting method  
Colour

Wall mounting  
Black

## Dimensions



#### Additional product information (links)

IL047006ZU SL4/7 Accessories

IL047006ZU SL4/7 Accessories

[ftp://ftp.moeller.net/DOCUMENTATION/AWA\\_INSTRUCTIONS/IL047006ZU2013\\_02.pdf](ftp://ftp.moeller.net/DOCUMENTATION/AWA_INSTRUCTIONS/IL047006ZU2013_02.pdf)