



Part no.
Article no.

SL7-L24-W-HP
171430



Powering Business Worldwide™

Catalog No.

SL7-L24-W-HP

Delivery programme

Product range
Basic function
Protection type
Rated operational voltage
Description

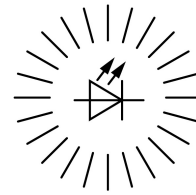
U_e

V

Type of light
Light elements
Colour

SL7 signal towers
Card with high-output LED
IP66
24 V AC/DC
High-performance LED for maximum signaling effect
Continuous light
High Performance LED

Clear



no

Function

Connection to SmartWire-DT

Approvals

Product Standards
UL File No.
UL Category Control No.
CSA File No.
CSA Class No.
North America Certification
Degree of Protection

IEC/EN 60947-5-1; UL 508; CSA-C22.2 No. 14-10; CSA-C22.2 No. 94-91; CE marking
E29184
NKCR
UL report applies to both US and Canada
NKCR7
UL listed, certified by UL for use in Canada
UL Type 4, 4X, 13

General

Standards
Climatic proofing
Mounting position
Mechanical shock resistance
IEC degree of protection
Protection type UL
Material
Cap colour
Ambient temperature
Number of signal elements

		IEC/EN 60947-5-1
		Damp heat, constant, to IEC 60068-2-78 Damp heat, cyclic, to IEC 60069-2-30
		As required
	g	> 15 according to IEC 60068-2-27 Shock duration 11 ms Sinusoidal
		IP66 IEC/EN 60529
		Type 4, 4X, 13
		Enclosure: Polycarbonate (PC), black Cap: Polycarbonate (PC)
		Clear
	°C	-30 - +60
		Max. 5 with standard base Max. 10 with base for mounting on both sides
	g	80

Contacts

Rated impulse withstand voltage
Rated insulation voltage
Overvoltage category/pollution degree

U_{imp}	V AC	4000
U_i	V	250
		III/3

Module

Type of light
Light elements
Leakage current
lifespan

		Continuous light
		High Performance LED
	A	< 0.003
	h	> 50000

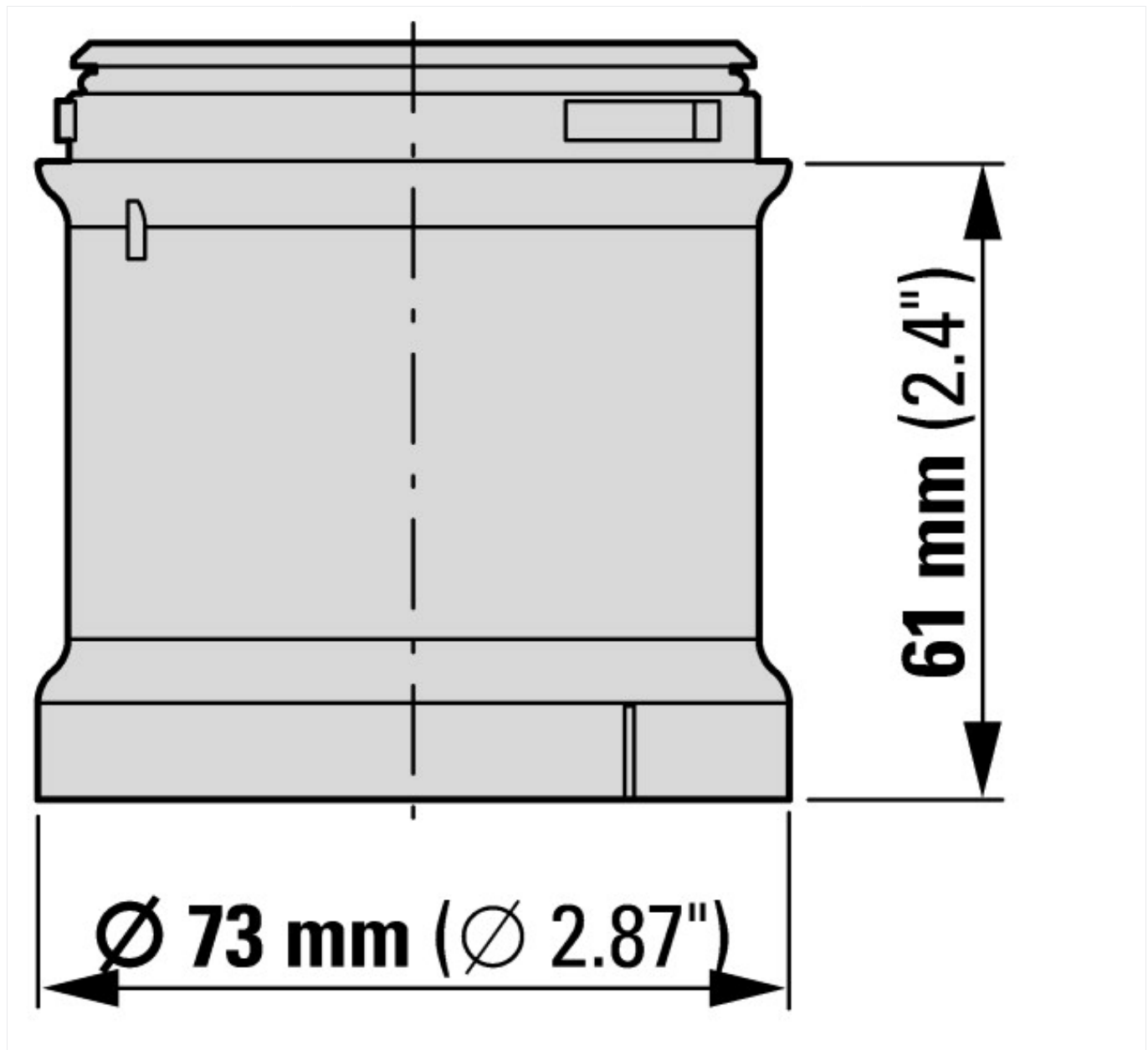
Transmission angle		360°
Current-/power consumption		
24 V AC/DC	A	0.170 - 0.200
Voltage levels		18-30 V DC/18-26 V AC

Technical data ETIM 5.0

Low-voltage industrial components (EG000017) / Optical module for signal tower (EC000232)
 Electric engineering, automation, process control engineering / Low-voltage switch technology / Command and alarm device / Optical module for signal tower
 (ecl@ss8-27-37-12-20 [AKF038010])

Function		Continuous light
Colour		Clear
Outer diameter	mm	73
Degree of protection (IP)		IP66
Operating voltage at AC 50 Hz	V	18 - 26
Operating voltage at AC 60 Hz	V	18 - 26
Operating voltage at DC	V	18 - 30
Voltage type		AC/DC
Type of lamp		LED
Colour housing		Black

Dimensions



Additional product information (links)

IL047004ZU SL7 Light Modules, Tone Modules	
IL047004ZU SL7 Light Modules, Tone Modules	ftp://ftp.moeller.net/DOCUMENTATION/AWA_INSTRUCTIONS/IL047004ZU2013_02.pdf
IL047004ZU SL7, modules lumineux, modules sonores	ftp://ftp.moeller.net/DOCUMENTATION/AWA_INSTRUCTIONS/IL047004ZU2013_02.pdf

