



Part no. SL7-L24-B-HP
Article no. 171427
Catalog No. SL7-L24-B-HP

Delivery programme

Product range
 Basic function
 Protection type
 Rated operational voltage
 Description

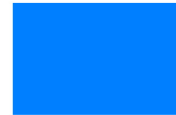
U_e

V

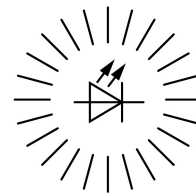
SL7 signal towers
 Card with high-output LED
 IP66
 24 V AC/DC
 High-performance LED for maximum signaling effect
 Continuous light
 High Performance LED

Type of light
 Light elements
 Colour

Blue



Function



Connection to SmartWire-DT

no

Approvals

Product Standards
 UL File No.
 UL Category Control No.
 CSA File No.
 CSA Class No.
 North America Certification
 Degree of Protection

IEC/EN 60947-5-1; UL 508; CSA-C22.2 No. 14-10; CSA-C22.2 No. 94-91; CE marking
 E29184
 NKCR
 UL report applies to both US and Canada
 NKCR7
 UL listed, certified by UL for use in Canada
 UL Type 4, 4X, 13

General

Standards
 Climatic proofing
 Mounting position
 Mechanical shock resistance
 IEC degree of protection
 Protection type UL
 Material
 Cap colour
 Ambient temperature
 Number of signal elements

Standards		IEC/EN 60947-5-1
Climatic proofing		Damp heat, constant, to IEC 60068-2-78 Damp heat, cyclic, to IEC 60069-2-30
Mounting position		As required
Mechanical shock resistance	g	> 15 according to IEC 60068-2-27 Shock duration 11 ms Sinusoidal
IEC degree of protection		IP66 IEC/EN 60529
Protection type UL		Type 4, 4X, 13
Material		Enclosure: Polycarbonate (PC), black Cap: Polycarbonate (PC)
Cap colour		Blue
Ambient temperature	°C	-30 - +60
Number of signal elements		Max. 5 with standard base Max. 10 with base for mounting on both sides
Weight	g	80

Contacts

Rated impulse withstand voltage
 Rated insulation voltage
 Overvoltage category/pollution degree

Rated impulse withstand voltage	U_{imp}	V AC	4000
Rated insulation voltage	U_i	V	250
Overvoltage category/pollution degree			III/3

Module

Type of light
 Light elements
 Leakage current
 lifespan

Type of light		Continuous light
Light elements		High Performance LED
Leakage current	A	< 0.003
lifespan	h	> 50000

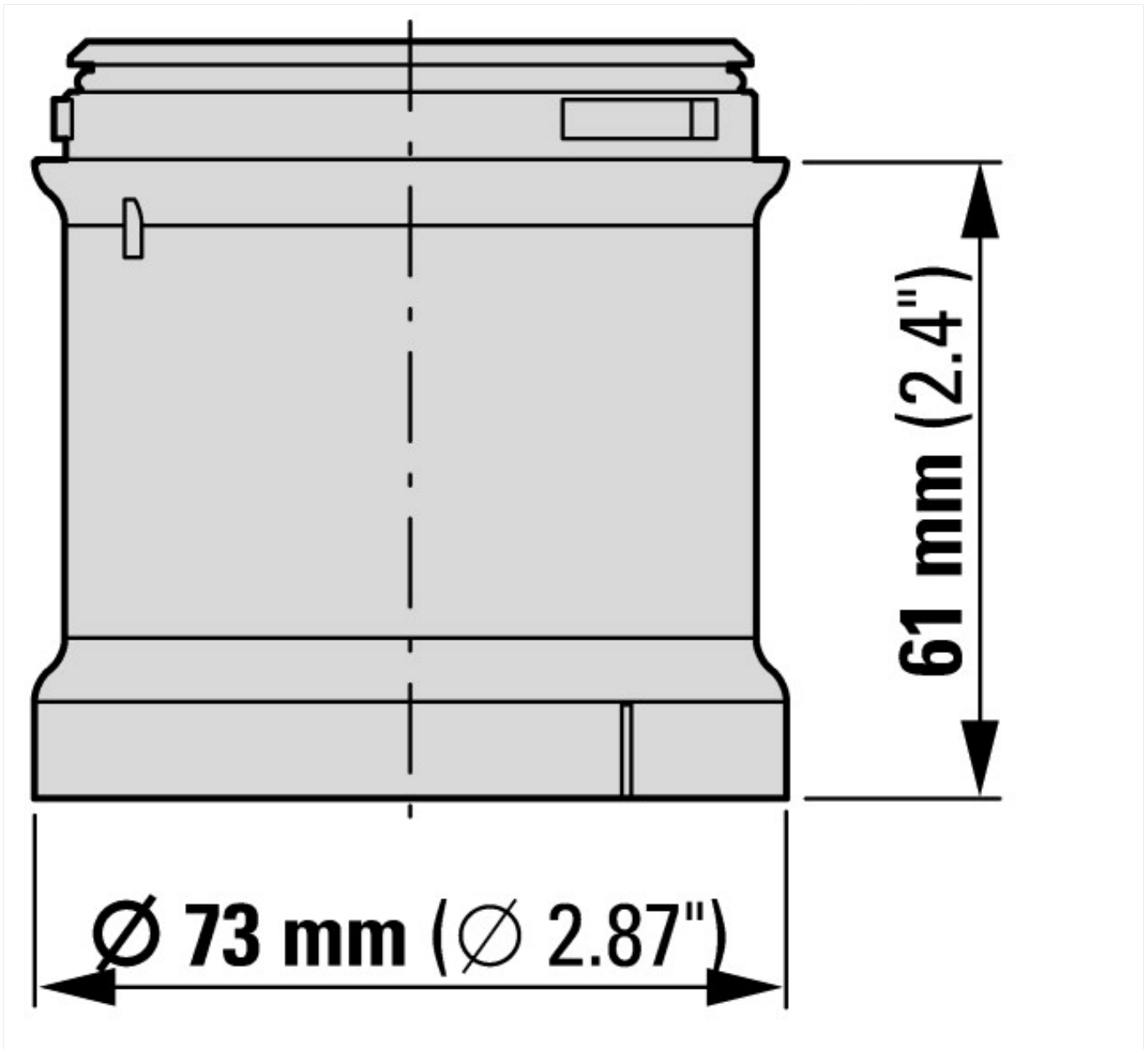
Transmission angle		360°
Current-/power consumption		
24 V AC/DC	A	0.170 - 0.200
Voltage levels		18-30 V DC/18-26 V AC

Technical data ETIM 5.0

Low-voltage industrial components (EG000017) / Optical module for signal tower (EC000232)
 Electric engineering, automation, process control engineering / Low-voltage switch technology / Command and alarm device / Optical module for signal tower
 (ecl@ss8-27-37-12-20 [AKF038010])

Function		Continuous light
Colour		Blue
Outer diameter	mm	73
Degree of protection (IP)		IP66
Operating voltage at AC 50 Hz	V	18 - 26
Operating voltage at AC 60 Hz	V	18 - 26
Operating voltage at DC	V	18 - 30
Voltage type		AC/DC
Type of lamp		LED
Colour housing		Black

Dimensions



Additional product information (links)

IL047004ZU SL7 Light Modules, Tone Modules	
IL047004ZU SL7 Light Modules, Tone Modules	ftp://ftp.moeller.net/DOCUMENTATION/AWA_INSTRUCTIONS/IL047004ZU2013_02.pdf
IL047004ZU SL7, modules lumineux, modules sonores	ftp://ftp.moeller.net/DOCUMENTATION/AWA_INSTRUCTIONS/IL047004ZU2013_02.pdf

