



Part no.
Article no.

SL7-L230-Y
171477



Powering Business Worldwide™

Catalog No.

SL7-L230-Y

Delivery programme

Product range
Basic function
Protection type
Rated operational voltage
Type of light
Light elements
Colour

U_e

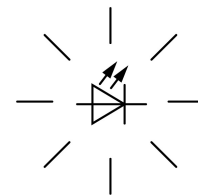
V

SL7 signal towers
Card with LED
IP66
230/240 V AC
Continuous light
LED

yellow



Function



no

Connection to SmartWire-DT

Approvals

Product Standards
UL File No.
UL Category Control No.
CSA File No.
CSA Class No.
North America Certification
Degree of Protection

IEC/EN 60947-5-1; UL 508; CSA-C22.2 No. 14-10; CSA-C22.2 No. 94-91; CE marking
E29184
NKCR
UL report applies to both US and Canada
NKCR7
UL listed, certified by UL for use in Canada
UL Type 4, 4X, 13

General

Standards
Climatic proofing
Mounting position
Mechanical shock resistance
IEC degree of protection
Protection type UL
Material
Cap colour
Ambient temperature
Number of signal elements
Weight

Standards		IEC/EN 60947-5-1
Climatic proofing		Damp heat, constant, to IEC 60068-2-78 Damp heat, cyclic, to IEC 60069-2-30
Mounting position		As required
Mechanical shock resistance	g	> 15 according to IEC 60068-2-27 Shock duration 11 ms Sinusoidal
IEC degree of protection		IP66 IEC/EN 60529
Protection type UL		Type 4, 4X, 13
Material		Enclosure: Polycarbonate (PC), black Cap: Polycarbonate (PC)
Cap colour		yellow
Ambient temperature	°C	-30 - +60
Number of signal elements		Max. 5 with standard base Max. 10 with base for mounting on both sides
Weight	g	80

Contacts

Rated impulse withstand voltage
Rated insulation voltage
Overvoltage category/pollution degree

U_{imp}	V AC	4000
U_i	V	250
		III/3

Module

Type of light
Light elements
Leakage current
lifespan

		Continuous light
		LED
	A	< 0.003
	h	> 100000

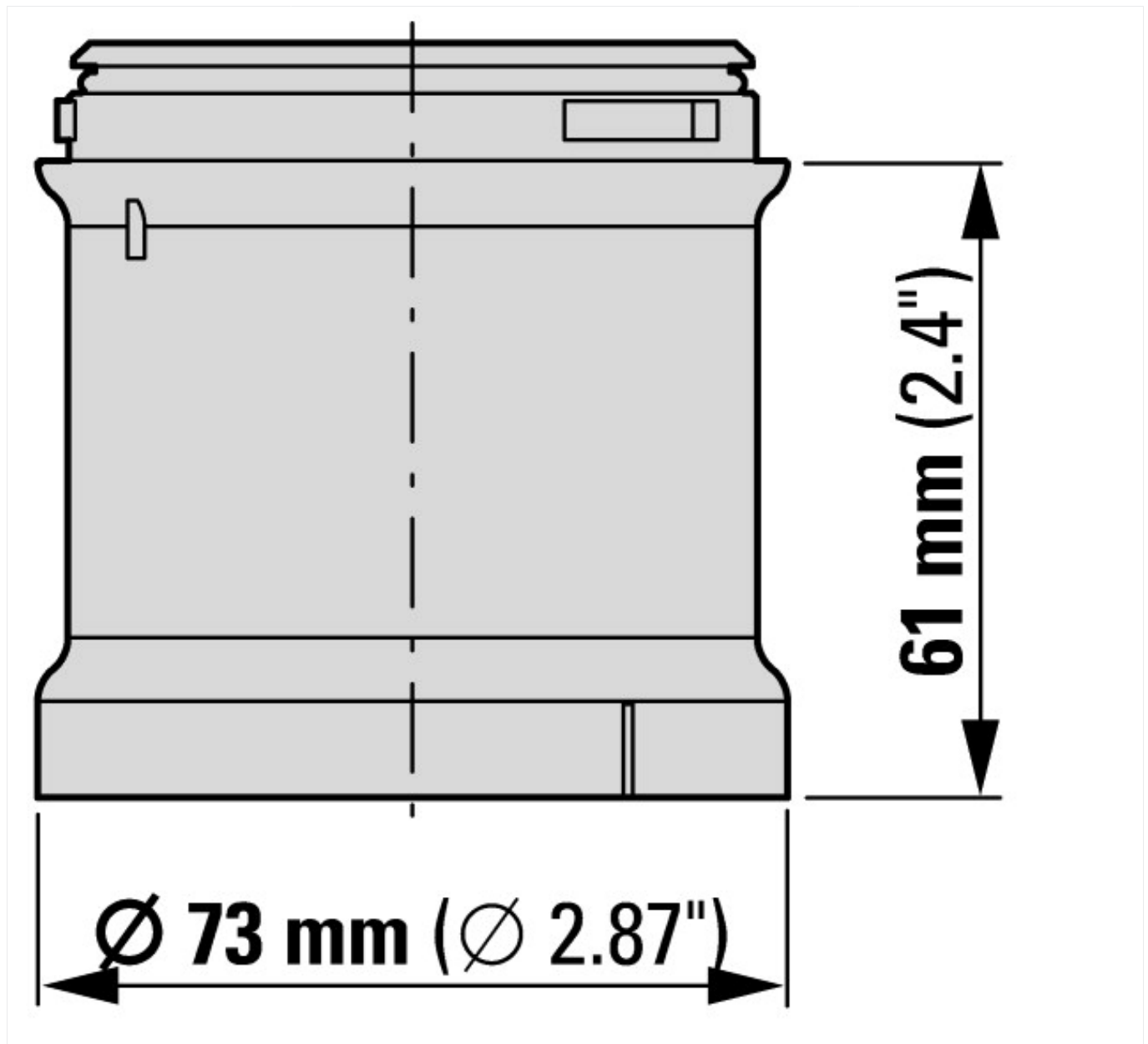
Transmission angle		360°
Current-/power consumption		
230 /240V AC	A	0.027 - 0.028
Voltage levels		230/240 V AC ± 10 %

Technical data ETIM 5.0

Low-voltage industrial components (EG000017) / Optical module for signal tower (EC000232)
 Electric engineering, automation, process control engineering / Low-voltage switch technology / Command and alarm device / Optical module for signal tower
 (ecl@ss8-27-37-12-20 [AKF038010])

Function		Continuous light
Colour		Yellow
Outer diameter	mm	73
Degree of protection (IP)		IP66
Operating voltage at AC 50 Hz	V	110 - 120
Operating voltage at AC 60 Hz	V	110 - 120
Operating voltage at DC	V	0 - 0
Voltage type		AC
Type of lamp		LED
Colour housing		Black

Dimensions



Additional product information (links)

IL047004ZU SL7 Light Modules, Tone Modules	
IL047004ZU SL7 Light Modules, Tone Modules	ftp://ftp.moeller.net/DOCUMENTATION/AWA_INSTRUCTIONS/IL047004ZU2013_02.pdf
IL047004ZU SL7, modules lumineux, modules sonores	ftp://ftp.moeller.net/DOCUMENTATION/AWA_INSTRUCTIONS/IL047004ZU2013_02.pdf

