



Part no.
Article no.

SL7-L230-G
171474



Powering Business Worldwide™

Catalog No.

SL7-L230-G

Delivery programme

Product range
Basic function
Protection type
Rated operational voltage
Type of light
Light elements
Colour

U_e

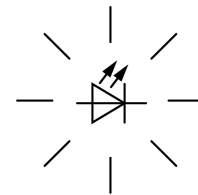
V

SL7 signal towers
Card with LED
IP66
230/240 V AC
Continuous light
LED

green



Function



no

Connection to SmartWire-DT

Approvals

Product Standards
UL File No.
UL Category Control No.
CSA File No.
CSA Class No.
North America Certification
Degree of Protection

IEC/EN 60947-5-1; UL 508; CSA-C22.2 No. 14-10; CSA-C22.2 No. 94-91; CE marking
E29184
NKCR
UL report applies to both US and Canada
NKCR7
UL listed, certified by UL for use in Canada
UL Type 4, 4X, 13

General

Standards
Climatic proofing
Mounting position
Mechanical shock resistance
IEC degree of protection
Protection type UL
Material
Cap colour
Ambient temperature
Number of signal elements
Weight

Standards		IEC/EN 60947-5-1
Climatic proofing		Damp heat, constant, to IEC 60068-2-78 Damp heat, cyclic, to IEC 60069-2-30
Mounting position		As required
Mechanical shock resistance	g	> 15 according to IEC 60068-2-27 Shock duration 11 ms Sinusoidal
IEC degree of protection		IP66 IEC/EN 60529
Protection type UL		Type 4, 4X, 13
Material		Enclosure: Polycarbonate (PC), black Cap: Polycarbonate (PC)
Cap colour		green
Ambient temperature	°C	-30 - +60
Number of signal elements		Max. 5 with standard base Max. 10 with base for mounting on both sides
Weight	g	80

Contacts

Rated impulse withstand voltage
Rated insulation voltage
Overvoltage category/pollution degree

U_{imp}	V AC	4000
U_i	V	250
		III/3

Module

Type of light
Light elements
Leakage current
lifespan
Transmission angle

Type of light		Continuous light
Light elements		LED
Leakage current	A	< 0.003
lifespan	h	> 100000
Transmission angle		360°

Current-/power consumption

230 /240V AC

A

0.027 - 0.028

Voltage levels

230/240 V AC \pm 10 %

Technical data ETIM 5.0

Low-voltage industrial components (EG000017) / Optical module for signal tower (EC000232)

Electric engineering, automation, process control engineering / Low-voltage switch technology / Command and alarm device / Optical module for signal tower (ecl@ss8-27-37-12-20 [AKF038010])

Function

Continuous light

Colour

Green

Outer diameter

mm

73

Degree of protection (IP)

IP66

Operating voltage at AC 50 Hz

V

110 - 120

Operating voltage at AC 60 Hz

V

110 - 120

Operating voltage at DC

V

0 - 0

Voltage type

AC

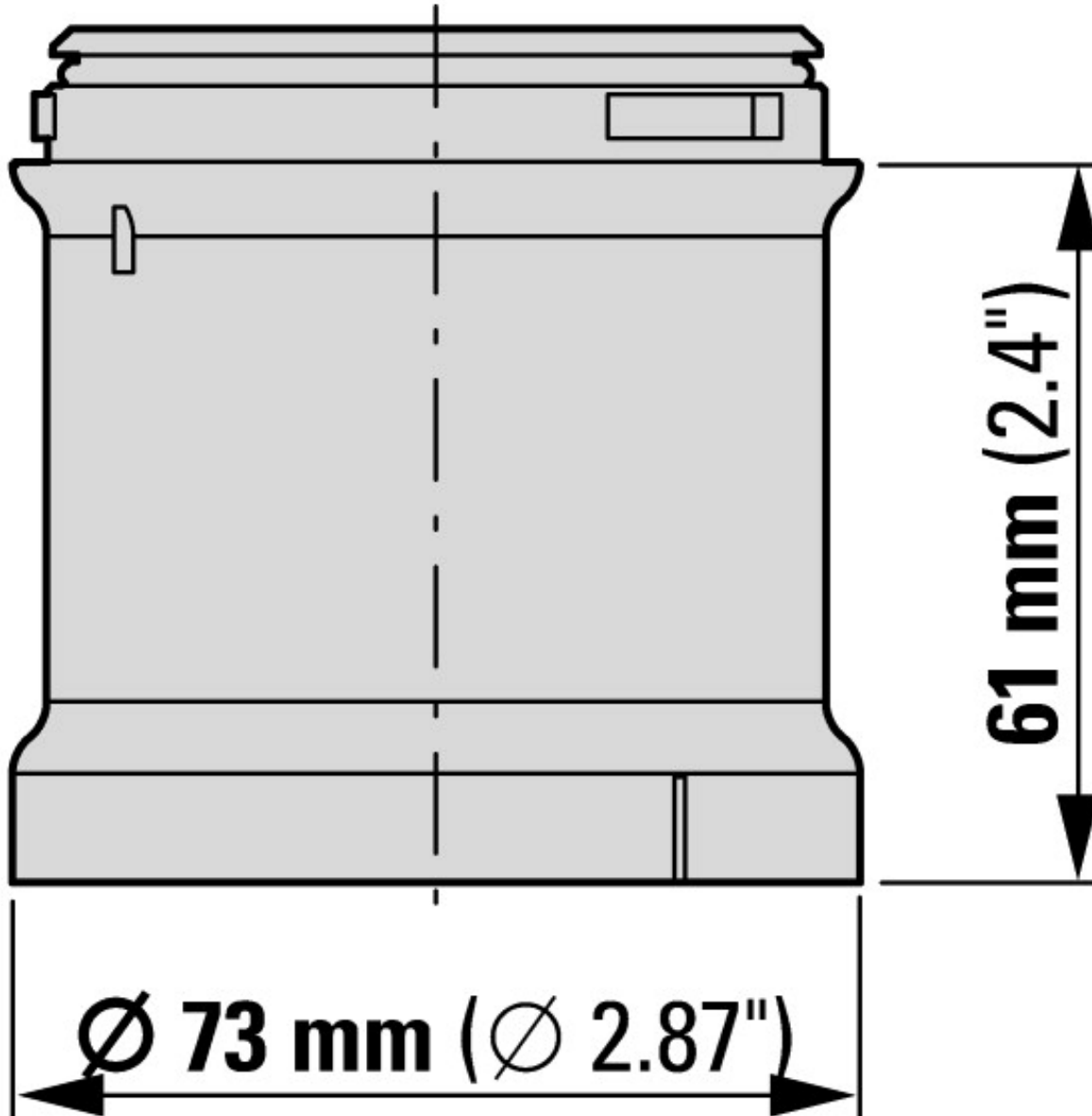
Type of lamp

LED

Colour housing

Black

Dimensions



Additional product information (links)

IL047004ZU SL7 Light Modules, Tone Modules

IL047004ZU SL7 Light Modules, Tone Modules

ftp://ftp.moeller.net/DOCUMENTATION/AWA_INSTRUCTIONS/IL047004ZU2013_02.pdf

IL047004ZU SL7, modules lumineux, modules sonores

ftp://ftp.moeller.net/DOCUMENTATION/AWA_INSTRUCTIONS/IL047004ZU2013_02.pdf