



Part no.
Article no.

SL7-CB-IMH
171447



Powering Business Worldwide™

Catalog No.

SL7-CB-IMH

Delivery programme

Product range
Basic function
Connection technique
Mounting type
Fitted with

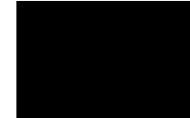
Number of modules
Colour

For use with

Connection to SmartWire-DT

SL7 signal towers
Base module
Spring-loaded terminals
for horizontal mounting
Base with internal (on the inside) fixing
holes
including cover
max. 5 modules

black



SL7-L-...
SL7-BL-...
SL7-FL-...
SL7-AP-...
no

Approvals

Product Standards
UL File No.
UL Category Control No.
CSA File No.
CSA Class No.
North America Certification
Degree of Protection

IEC/EN 60947-5-1; UL 508; CSA-C22.2 No. 14-10; CSA-C22.2 No. 94-91; CE marking
E29184
NKCR
UL report applies to both US and Canada
NKCR7
UL listed, certified by UL for use in Canada
UL Type 1

General

Standards
Climatic proofing
Mounting position
Mechanical shock resistance
IEC degree of protection
Protection type UL
Cap colour
Ambient temperature
Number of signal elements
Terminal capacity
Solid or flexible conductor
Flexible with ferrule with plastic collar

		IEC/EN 60947-5-1
		Damp heat, constant, to IEC 60068-2-78 Damp heat, cyclic, to IEC 60069-2-30
		As required
	g	> 15 according to IEC 60068-2-27 Shock duration 11 ms Sinusoidal
		IP66 IEC/EN 60529
		Type 1
		black
	°C	-30 - +60
		Max. 5 with standard base Max. 10 with base for mounting on both sides
	mm ²	0.13 - 2.5
	mm ²	0.25 - 1.5
		AWG 24 - AWG 14

Contacts

Rated impulse withstand voltage
Rated insulation voltage
Overvoltage category/pollution degree

U_{imp}	V AC	4000
U_i	V	250
		III/3

Module

Voltage levels

		24 V AC/DC ± 10 % 110/120 V AC ± 10 % 230/240 V AC ± 10 %
--	--	---

Technical data ETIM 5.0

Low-voltage industrial components (EG000017) / Connection module for signal tower (EC001152)

Electric engineering, automation, process control engineering / Low-voltage switch technology / Command and alarm device / Signal column element, connection module (ecl@ss8-27-37-12-32 [AKF050010])

Connection type auxiliary circuit

Tube mounting possible

Bracket mounting possible

Floor mounting possible

Colour

Suitable for AS interface

Spring clamp connection

No

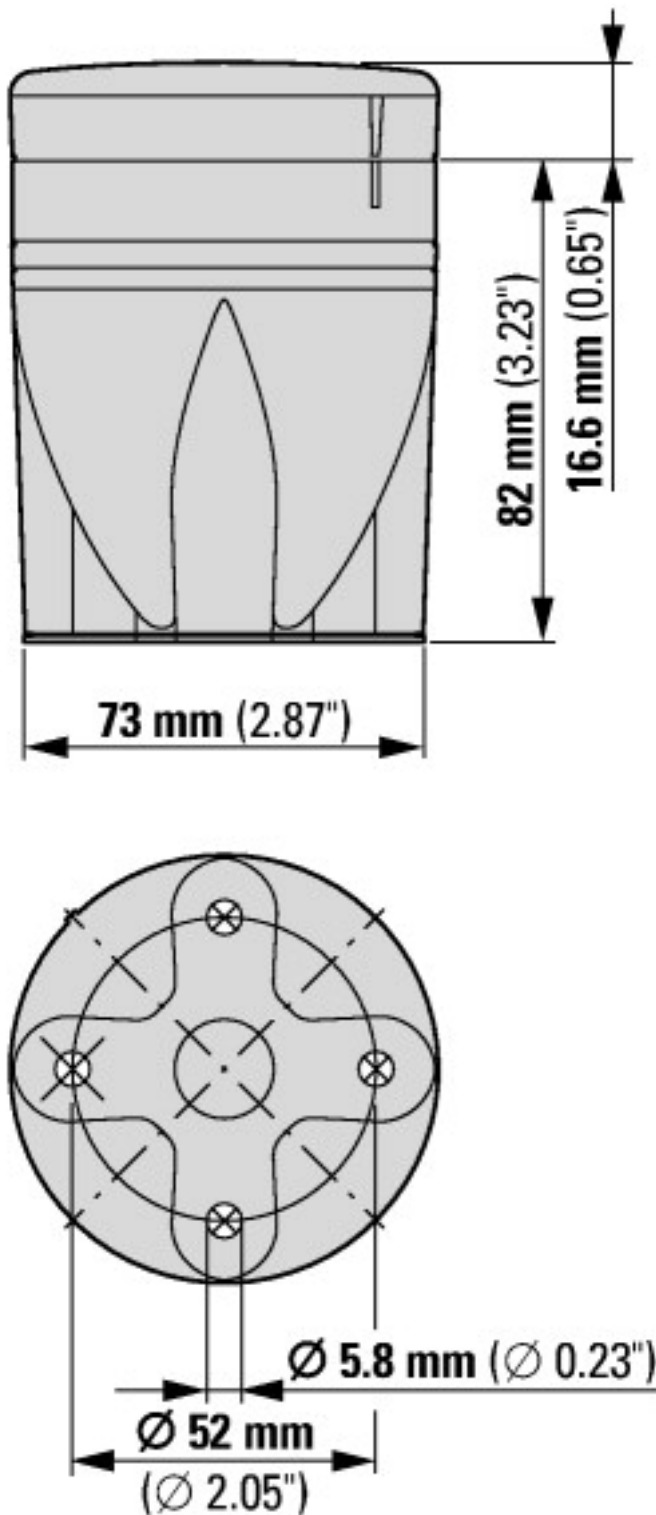
Yes

Yes

-

No

Dimensions



Additional product information (links)

IL047003ZU SL7 Base Units

IL047003ZU SL7 Base Units

ftp://ftp.moeller.net/DOCUMENTATION/AWA_INSTRUCTIONS/IL047003ZU2013_02.pdf

