



Part no. SL7-BL24-W
Article no. 171442
Catalog No. SL7-BL24-W

Delivery programme

Product range
 Basic function
 Protection type
 Rated operational voltage
 Type of light
 Light elements
 Colour

U_e

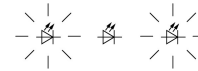
V

SL7 signal towers
 Card with LED
 IP66
 24 V AC/DC
 Flashing light
 LED

Clear



Function



no

Connection to SmartWire-DT

Approvals

Product Standards
 UL File No.
 UL Category Control No.
 CSA File No.
 CSA Class No.
 North America Certification
 Degree of Protection

IEC/EN 60947-5-1; UL 508; CSA-C22.2 No. 14-10; CSA-C22.2 No. 94-91; CE marking
 E29184
 NKCR
 UL report applies to both US and Canada
 NKCR7
 UL listed, certified by UL for use in Canada
 UL Type 4, 4X, 13

General

Standards
 Climatic proofing
 Mounting position
 Mechanical shock resistance
 IEC degree of protection
 Protection type UL
 Material
 Cap colour
 Ambient temperature
 Number of signal elements
 Weight

Standards		IEC/EN 60947-5-1
Climatic proofing		Damp heat, constant, to IEC 60068-2-78 Damp heat, cyclic, to IEC 60069-2-30
Mounting position		As required
Mechanical shock resistance	g	> 15 according to IEC 60068-2-27 Shock duration 11 ms Sinusoidal
IEC degree of protection		IP66 IEC/EN 60529
Protection type UL		Type 4, 4X, 13
Material		Enclosure: Polycarbonate (PC), black Cap: Polycarbonate (PC)
Cap colour		Clear
Ambient temperature	°C	-30 - +60
Number of signal elements		Max. 5 with standard base Max. 10 with base for mounting on both sides
Weight	g	80

Contacts

Rated impulse withstand voltage
 Rated insulation voltage
 Overvoltage category/pollution degree

Rated impulse withstand voltage	U _{imp}	V AC	4000
Rated insulation voltage	U _i	V	250
Overvoltage category/pollution degree			III/3

Module

Type of light
 Light elements
 Flashing/strobe frequency
 Leakage current
 lifespan
 Transmission angle
 Current-/power consumption
 24 V AC/DC

Type of light		Flashing light
Light elements		LED
Flashing/strobe frequency		2 Hz
Leakage current	A	< 0.003
lifespan	h	> 100000
Transmission angle		360°
Current-/power consumption	A	0.058

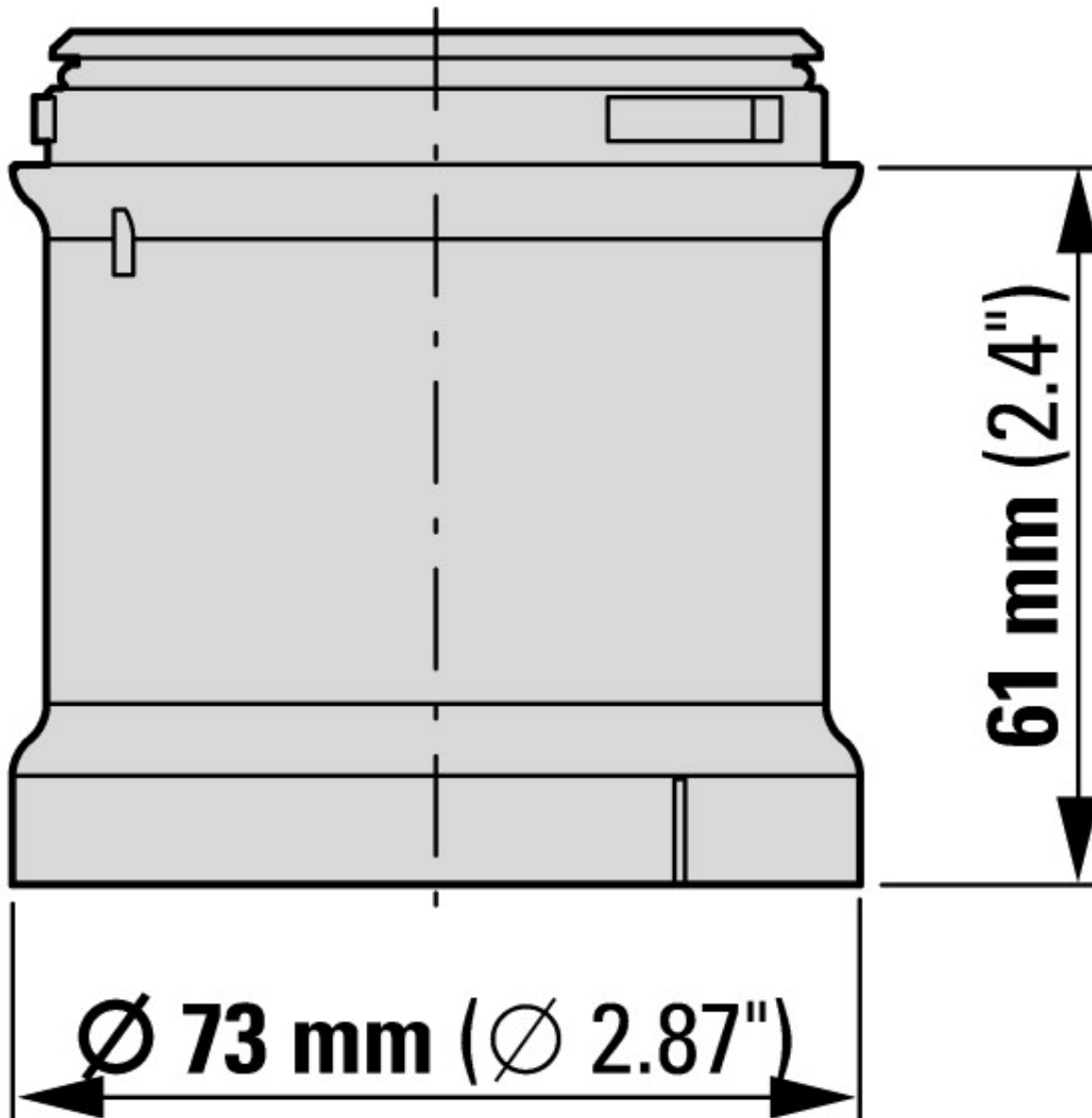
Technical data ETIM 5.0

Low-voltage industrial components (EG000017) / Optical module for signal tower (EC000232)

Electric engineering, automation, process control engineering / Low-voltage switch technology / Command and alarm device / Optical module for signal tower (ecl@ss8-27-37-12-20 [AKF038010])

Function		Blinker light
Colour		Clear
Outer diameter	mm	73
Degree of protection (IP)		IP66
Operating voltage at AC 50 Hz	V	24 - 24
Operating voltage at AC 60 Hz	V	24 - 24
Operating voltage at DC	V	24 - 24
Voltage type		AC/DC
Type of lamp		LED
Colour housing		Black

Dimensions



Additional product information (links)

IL047004ZU SL7 Light Modules, Tone Modules

IL047004ZU SL7 Light Modules, Tone Modules

ftp://ftp.moeller.net/DOCUMENTATION/AWA_INSTRUCTIONS/IL047004ZU2013_02.pdf

IL047004ZU SL7, modules lumineux, modules sonores

ftp://ftp.moeller.net/DOCUMENTATION/AWA_INSTRUCTIONS/IL047004ZU2013_02.pdf