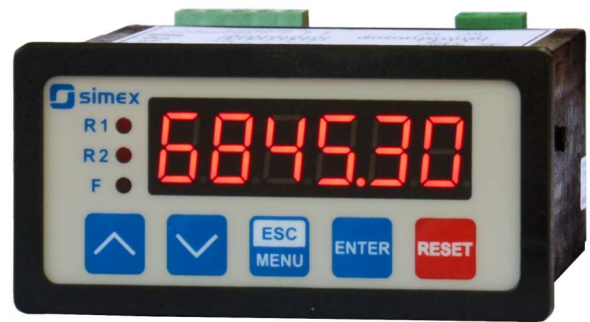


SLE-73

- ▣ economical pulse counter
- ▣ 1 pulse counting input
- ▣ 1 programmable function input
- ▣ power supply output 24V DC
- ▣ prescaler and digital filter
- ▣ RS-485 / Modbus RTU

The **SLE-73** meters have been designed exclusively for applications where a progressive counting of impulses is required. They feature two entry ports: counting and with a programmable function that can be used for resetting the meter to zero or stopping / changing its direction of travel (as required). The built-in entry port divisor with programmable value from 1 to 9999, along with an adjustable decimal point, permits a simple transfer of incoming impulses into the units required.

- easy-to-operate device programming menu,
- programmable input divider: 1-9999,
- password protection,
- switching off counter reset,
- programmable decimal point position,
- available with AC and DC power supply versions.

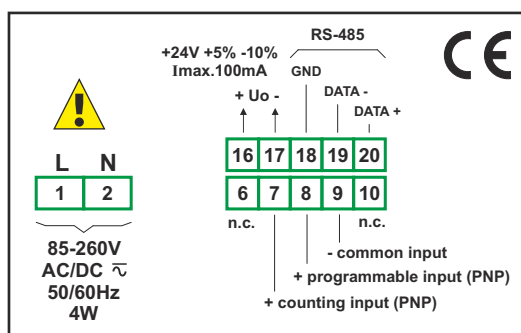


Typical applications

1. Counting amount of manufactured elements.



Exemplary pin assignment



Ordering

SLE-73-1400-1-X-XX1

- options:**
- 00 : no options
 - 01 : IP 65 frame
 - 08 : operating temp. -20°C ÷ +50°C

- power supply:**
- 3 : 24V AC/DC
 - 4 : 85V - 260V AC/DC

Technical data

- Power supply:** 19V ÷ 50V DC; 16V ÷ 35V AC or 85 ÷ 260V AC/DC, all separated
- Power consumption:** for 85 ÷ 260V AC/DC and 16V ÷ 35V AC power supply: max. 4,5 VA; 19V ÷ 50V DC power supply: max. 4,5 W
- Display:** LED, red, 6 x 9 mm high
- Inputs:** pulse; 1 x counting PNP (down-up and up-down); 1 x programmable (PNP)
- Input levels:** low: 0 V ÷ 1 V
high: 10 V ÷ 30 V
- Max. input frequency:** electronic: 3 kHz
contact: max. 90 Hz (adjustable filter)
- Displayed values range:** from -99999 to 999999, with signalling of overfilling
- Transducer power supply output:** 24V DC +5%, -10% / max. 100 mA, stabilized, not insulated from communication interface
- Communication interface:** RS-485, 8N1 and 8N2, 1200 bit/s ÷ 115200 bit/s, Modbus RTU (not galvanically insulated)
- Data memory:** non-volatile memory, EEPROM type
- Operating temperature:** 0°C ÷ +50°C (standard), -20°C ÷ +50°C (option)
- Storage temperature:** -10°C ÷ +70°C (standard), -20°C ÷ +70°C (with option 08)
- Protection class:** IP 65 (front), available additional frame IP 65 for panel cut-out sealing; IP 20 (case and connection clips)
- Case:** board
- Case material:** NORYL - GFN2S E1
- Case dimensions:** 72 x 36 x 97 mm
- Panel cut-out dimensions:** 66,5 x 32,5 mm
- Installation depth:** min. 102 mm
- Board thickness:** max. 5 mm