

Programmable Counter/Timer

CT Series

User Manual



CT Series

Preface

Thank you for purchasing Autonics product.

Please familiarize yourself with the information contained in the Safety Precautions section before using this product.





This user manual contains information about the product and its proper use, and should be kept in a place where it will be easy to access.

User Manual Guide

Please familiarize yourself with the information in this manual before using the product.


- This manual provides detailed information on the product's features. It does not offer any guarantee concerning matters beyond the scope of this manual.
- This manual may not be edited or reproduced in either part or whole without permission.
- A user manual is not provided as part of the product package. Visit our web site (www.autonics.com) to download a copy.
- The manual's content may vary depending on changes to the product's software and other unforeseen developments within Autonics, and is subject to change without prior notice. Upgrade notice is provided through out homepage.
- We contrived to describe this manual more easily and correctly. However, if there are any corrections or questions, please notify us these on our homepage.


User Manual Symbols

Symbol	Description
 Note	Supplementary information for a particular feature.
 Warning	Failure to follow instructions can result in serious injury or death.
 Caution	Failure to follow instructions can lead to a minor injury or product damage.
 Ex.	An example of the concerned feature's use.
※1	Annotation mark.

Safety Precautions

- Following these safety precautions will ensure the safe and proper use of the product and help prevent accidents, as well as minimizing possible hazards.
- Safety precautions are categorized as Warnings and Cautions, as defined below:

 Warning	Warning	Failure to follow these instructions may result in serious injury or death.
--------------------------------------------------------------------------------------------------	----------------	-----------------------------------------------------------------------------

 Caution	Caution	Failure to follow these instructions may result in personal injury or product damage.
--------------------------------------------------------------------------------------------------	----------------	---------------------------------------------------------------------------------------



Warning

- Fail-safe device must be installed when using the unit with machinery that may cause serious injury or substantial economic loss. (e.g. nuclear power control, medical equipment, ships, vehicles, railways, aircraft, combustion apparatus, safety equipment, crime/disaster prevention devices, etc.)
Failure to follow this instruction may result in personal injury, fire, or economic loss.
- The unit must be installed on a device panel before use.
Failure to follow this instruction may result in electric shock.
- Do not connect, repair, or inspect the unit while connected to a power source.
Failure to follow this instruction may result in electric shock.
- Do not disassemble or modify the unit. Please contact us if necessary.
Failure to follow this instruction may result in electric shock or fire.



Caution

- Do not use the unit outdoors.
Failure to follow this instruction may result in shortening the life cycle of the unit, or electric shock.
- When connecting the power input and relay output cables, use AWG20 (0.50mm²) cables and make sure to tighten the terminal screw bolt above 0.74N·m to 0.90N·m.
Failure to follow this instruction may result in fire due to contact failure.
- Use the unit within the rated specifications.
Failure to follow this instruction may result in shortening the life cycle of the unit, or fire.
- Do not use loads beyond the rated switching capacity of the relay contact.
Failure to follow this instruction may result in insulation failure, contact melt, contact failure, relay broken, or fire.
- Do not use water or oil-based detergent when cleaning the unit. Use dry cloth to clean the unit.
Failure to follow this instruction may result in electric shock or fire.
- Do not use the unit where flammable or explosive gas, humidity, direct sunlight, radiant heat, vibration, or impact may be present.
Failure to follow this instruction may result in fire or explosion.
- Keep dust and wire residue from flowing into the unit.
Failure to follow this instruction may result in fire or product damage.

The specifications and dimensions of user manual are subject to change and some models may be discontinued without notice.

Cautions During Use

- **Power ON/OFF**
The inner circuit voltage rises within 100ms after supplying the power to the unit.
The input is unavailable at this period. Be sure that the inner circuit voltage drops within 500ms after turning OFF the power.
- **In case of 24VAC / 24-48VDC model, power supply should be insulated and limited voltage/current or Class 2 power supply device.**
- **Input signal line**
 - ① Shorten the cable from the sensor to the unit.
 - ② Use shield cable when input cable is longer.
 - ③ Wire the input signal line separately from power line.
- **Input logic selection**
Before selecting input logic, must cut off the power to counter/timer. Select the input logic following the instruction.
- **Contact counting input (counter operation)**
If counting speed for counter is high speed mode (1k, 5k, 10kcps) and counting input is contact, it may cause input signal error by chattering of contact switching.
Set counting speed as low speed mode (1cps or 30cps) for contact counting input.
- **Testing dielectric voltage or insulation resistance when the unit is installed at control panel**
 - ① Isolate the unit from the circuit of control panel.
 - ② Short all terminals of the unit.
- **Do not use the unit in the following environments.**
 - ① Environments with high vibration or shock.
 - ② Environments with strong alkali or strong acid materials
 - ③ Environments with exposure to direct sunlight
 - ④ Near machinery which produce strong magnetic force or electric noise
- **This product may be used in the following environments.**
 - ① Indoors
 - ② Max. altitude: 2,000m
 - ③ Pollution degree 2
 - ④ Installation category II



Note

Failure to follow these instructions may result in product damage.

Table of Contents

Preface	iii
User Manual Guide	iv
User Manual Symbols	v
Safety Precautions	vi
Cautions During Use	vii
Table of Contents	ix
1 Product Overview	13
1.1 Features	13
1.2 Components and Accessories	13
1.2.1 Components	13
1.2.2 Sold separately	14
1.3 Ordering information	15
1.4 Part description	16
1.4.1 CTS Series	16
1.4.2 CTY Series	16
1.4.3 CTM Series	16
2 Specifications	19
3 Communication Specification	21
4 Dimensions	23
4.1 CTS Series	23
4.2 CTY Series	23
4.3 CTM Series	23
4.4 Panel cut-out dimensions	24
4.4.1 CTS Series	24
4.4.2 CTY Series	24
4.4.3 CTM Series	24
4.5 Bracket	25
4.5.1 CTS Series	25
4.5.2 CTY Series	25
4.5.3 CTM Series	25
5 Guide For Connection	27
5.1 Connections	27
5.1.1 CTS Series	27
5.1.2 CTY Series	29
5.1.3 CTM Series	31
5.2 Input and Output connection	34
5.2.1 Input logic selection [no-voltage(NPN)/voltage(PNP)]	34
5.2.2 Input connection	36
5.2.3 Output connection	37

6	Basic Operations (Counter/Timer/Communication)	39
6.1	Operations and functions.....	39
6.1.1	Setting value change mode (Counter/Timer)	39
6.1.2	Setting value check mode	40
6.1.3	Switching display function in preset indicator.....	40
6.1.4	RESET	40
6.2	BATCH counter (only for CT6M-1P□□/CT6M-2P□□ model)	40
6.2.1	BATCH counter operation	41
6.2.2	BATCH counting operation	41
6.2.3	BATCH output operation	41
6.2.4	BATCH RESET input	41
6.2.5	Example of BATCH counter	42
6.3	Setting mode.....	43
7	Counter Mode	45
7.1	Parameter Setting.....	45
7.2	Input mode.....	47
7.3	Output mode	50
7.4	Counter operation for indicator model.....	53
7.5	Output operation for other conditions.....	54
7.5.1	Start point	54
7.5.2	When start point value is larger than setting value, (UP, UP-1, UP-2, Ud-A, Ud-b, Ud-C mode).....	54
7.5.3	When PRESET 1 is larger or equal than PRESET 2 at down mode	55
7.6	Prescale	56
8	Timer Mode	57
8.1	Parameter setting	57
8.2	Output mode	59
8.3	Timer operation for indicator model.....	67
8.4	Timer '0' Time Setting.....	70
8.4.1	Available output mode to set '0' time setting.....	70
8.4.2	Operation by each output mode ('0' time setting)	70
9	Communication	77
9.1	Parameter Setting (Counter/Timer)	77
9.1.1	Communication address [Addr]	78
9.1.2	Communication speed [bps].....	78
9.1.3	Communication parity bit [Prty].....	78
9.1.4	Communication Stop bit [Stp]	79
9.1.5	Communication response waiting time [r5wt]	79
9.1.6	Communication write [Cnw].....	79
9.1.7	Application of system organization.....	80
9.2	Software (Comprehensive Device Management Program: DAQMaster)	80
9.3	Parameter value read/write via communication	81
9.4	Communication control ordering	82

10	Factory Default.....	83
10.1	Common	83
10.2	Counter	83
10.3	Timer	84
10.4	Communication	84

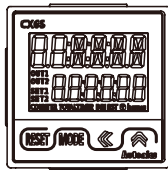
1 Product Overview

1.1 Features

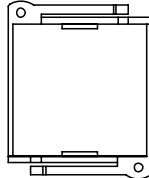
- Communication function supported (communication model): RS485 (Modbus RTU)
- One-shot output time setting range: 0.01 sec to 99.99 sec by setting per 10ms
- [Counter]
 - Prescale value setting range
 - 6-digit model: 0.00001 to 99999.9/ 4-digit model: 0.001 to 999.9
 - 9 input modes/ 11 output modes
 - BATCH counter, Count start point (counting initial value) setting function
- [Timer]
 - 13 output modes
 - Various time setting range
 - 6-digit model: 0.001 sec to 99999.9 hour/ 4-digit model: 0.001 sec to 9999 hour
 - '0' time setting function
 - Selectable timer memory retention function for indicator model

1.2 Components and Accessories

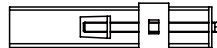
1.2.1 Components



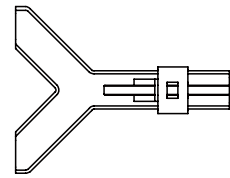
CT Series



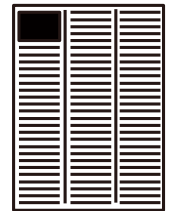
For CTY



For CTM



For CTM



Instruction manual

Sold separately
(bracket)





Note

Make sure all of the above components are included with your product package before use.
If a component is missing or damaged, please contact Autonics or your distributor.

1.2.2 Sold separately

(1) Communication converter

SCM-38I (RS232C to RS485 converter)	SCM-US48I (USB to RS485 converter)
	

(2) Display unit (DS/DA-T Series)

(RS485 communication input type display unit)

- DS16-□T

CE



- DS22/DA22-□T

CE



- DS40/DA40-□T

CE



- DS60/DA60-□T

CE



Note

Connect RS485 communication input type display unit (DS/DA-T Series) and RS485 communication output model of CT Series, the display unit displays present value of the device without PC/PLC.

1.3 Ordering information

CT
6
M
-
2P
4
T

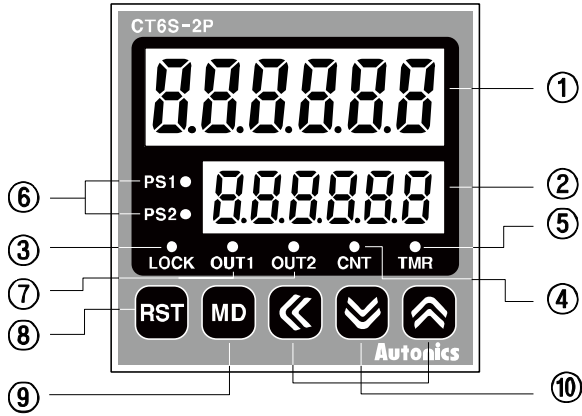
①
②
③
④
⑤
⑥

Item	Description	
① Item	CT	Counter/Timer
② Display digit	4	9999 (4-digit)
	6	999999 (6-digit)
③ Size	S	DIN W48 x H48mm
	Y	DIN W72 x H36mm
	M	DIN W72 x H72mm
④ Output	1P	1-stage preset
	2P	2-stage preset
	I※1	Indicator
⑤ Power supply	2	24VAC 50/60Hz, 24-48VDC
	4	100-240VAC 50/60Hz
⑥ Communication	No-mark	None
	T	RS485 communication output

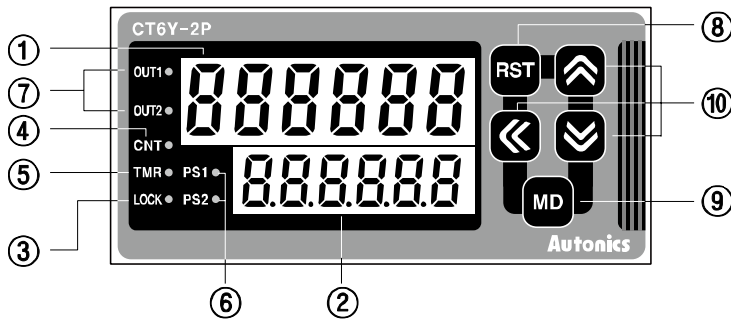
※1: CT4S model does not support indicator type.

1.4 Part description

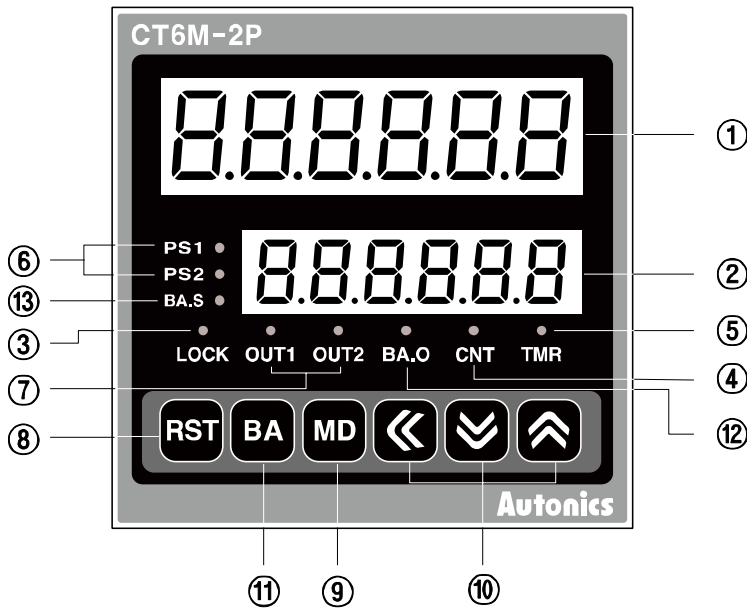
1.4.1 CTS Series



1.4.2 CTY Series



1.4.3 CTM Series



- ① Counting value display component (red)
RUN mode: Displays counting value for counter operation or time progress value for timer operation.
Setting mode: Displays parameter.
- ② Setting value display component (green)
RUN mode: Displays setting value.
Setting mode: Displays parameter setting value.
- ③ Key lock indicator (LOCK): Turns ON for key lock setting.
- ④ Counter indicator (CNT): Turns ON for counter operation.
- ⑤ Timer indicator (TMR): Flashes (progressing time) or Turns ON (stopping time) for timer operation.
- ⑥ Setting value checking and changing indicator (PRESET1, PRESET2)
: Turns ON when checking and changing setting value.
- ⑦ Output indicator (OUT1, OUT2): Turns ON for the dedicated control output ON.
- ⑧ **RST** key
RUN mode: Press the **RST** key to reset the counting value.
BATCH counter mode (CTM Series)
: Press the **RST** key to reset the batch counting value.
- ⑨ **MD** key
RUN mode: Enters parameter setting mode or communication setting mode.
Setting mode: Saves setting value and return to RUN mode.
- ⑩ **←**, **↓**, **↑**
 - **←** key
RUN mode: Enters setting value change mode.
Setting value change mode: Moves setting value digits.
 - **↓** key
Setting value change mode, Setting mode: Changes setting value.
Setting value check mode: Checks setting value of the previous parameter.
 - **↑** key
RUN mode: Enters setting value check mode.
Setting value change mode, Setting mode: Changes setting value.
Setting value check mode: Check setting value of the next parameter.
- ⑪ **BA** key
RUN mode: Enters BATCH counter indication mode.
- ⑫ BATCH output indicator (BA.O) (red)
: Turns ON when BATCH output is ON.
- ⑬ BATCH setting value checking and changing indicator (BA.S) (green)
: Turns ON when checking or changing BATCH setting value.




Note

Model	Changed	Note
CT4S-1P	PRESET2 → PRESET OUT2 → OUT	No PRESET1, OUT1 LEDs
CT6S-1P		
CT6Y-1P		
CT6M-1P		
CT6S-I	PRESET2 → PRESET	No PRESET1, OUT1, OUT2 LEDs
CT6Y-I		No PRESET1, OUT1, OUT2, BA.S, BA.O LEDs.
CT6M-I		No BA key.

※ CT4S model does not support indicator type.

2 Specifications

Series		CTS		CTY	CTM
Model	1-stage preset	CT4S-1P□□	CT6S-1P□□	CT6Y-1P□□	CT6M-1P□□
	2-stage preset	CT4S-2P□□	CT6S-2P□□	CT6Y-2P□□	CT6M-2P□□
	indicator	–	CT6S-I□□	CT6Y-I□□	CT6M-I□□
Display digit		4-digit	6-digit	6-digit	6-digit
Display method		7-segment (counting value: red, setting value: green) LED method			
Character size (W × H)	Counting value	6.5 × 10mm	4.5 × 10mm	4.2 × 9.5mm	6.6 × 13mm
	Setting value	4.5 × 8mm	3.5 × 7mm	3.5 × 7mm	5 × 9mm
Power supply	AC voltage	100-240VAC 50/60Hz			
	AC/DC voltage	24VAC 50/60Hz, 24-48VDC			
Permissible voltage range		90 to 110% of rated voltage			
Power consumption	AC voltage	Max. 12VA			
	AC/DC voltage	AC: Max. 10VA, DC: Max. 8W			
Counter	INA/INB max. counting speed	Selectable 1cps/30cps/1kcps/5kcps/10kcps			
	Counting range	-999 to 9999	-99999 to 999999		
	Scale	Decimal point up to third digit	Decimal point up to fifth digit		
	Min. signal width	RESET signal: Selectable 1ms/20ms			
Timer	Time range	4-digit	9.999s, 99.99s, 999.9s, 9999s, 99m59s, 999.9m, 9999m, 99h59m, 9999h		
		6-digit	999.999s, 9999.99s, 99999.9s, 999999s, 99m59.99s, 999m59.9s, 9999m59s, 99999.9m, 999999m, 99h59m59s, 9999h59m, 99999.9h		
	Operation method	Count up, Count down, Count up/down			
	Min. signal width	INA, INH, RESET signal: Selectable 1ms/20ms			INA, INHIBIT, RESET, BATCH RESET signal: Selectable 1ms / 20ms
	Repeat error	In case of power ON start: Max. ±0.01% ±0.05s In case of signal ON start: Max. ±0.01% ±0.03s			
	SET error				
	Voltage error				
Temperature error					
Input method		Selectable voltage input or no-voltage input [Voltage input]-input impedance: 5.4kΩ, [H]: 5-30VDC, [L]: 0-2VDC [No-voltage input]-short-circuit impedance: Max. 1kΩ, short-circuit residual voltage: Max. 2VDC			
One-shot output time		0.01s to 99.99s setting			

Series		CTS		CTY		CTM	
Model	1-stage preset	CT4S-1P□□	CT6S-1P□□	CT6Y-1P□□		CT6M-1P□□	
	2-stage preset	CT4S-2P□□	CT6S-2P□□	CT6Y-2P□□		CT6M-2P□□	
	Indicator	–	CT6S-I□□	CT6Y-I□□		CT6M-I□□	
		Standard	Comm.	Standard	Comm.	Standard	Comm.
Control output	Contact (Relay)	Type	1-stage	SPDT(1c): 1		SPDT(1c) : 1	
		2-stage	SPST(1a): 2		SPST (1a): 1, SPDT (1c): 1	SPST (1a): 2	SPST(1a): 1, SPDT(1c): 1
	Capacity		250VAC 5A resistive load		250VAC 3A resistive load		250VAC 5A resistive load
	Solid state (NPN open collector)	Type	1-stage	1	–	1	1
2-stage		–	–	–	–	3	2
Capacity		Max. 30VDC, 100mA					
External power supply		Max. 12VDC ±10%, 100mA					
Memory retention		Approx. 10 years (non-volatile memory)					
Insulation resistance		Over 100MΩ (at 500VDC megger)					
Dielectric strength		2,000VAC 50/60Hz for 1 min					
Noise immunity	AC voltage	Square-wave noise by noise simulator (pulse width 1μs) ±2kV					
	AC/DC voltage	Square-wave noise by noise simulator (pulse width 1μs) ±500V					
Vibration	Mechanical	0.75mm amplitude at frequency of 10 to 55Hz (for 1 min) in each X, Y, Z direction for 1 hour					
	Malfunction	0.5mm amplitude at frequency of 10 to 55Hz (for 1 min) in each X, Y, Z direction for 10 minutes					
Shock	Mechanical	300m/s ² (approx. 30G) in each X, Y, Z direction for 3 times					
	Malfunction	100m/s ² (approx. 10G) in each X, Y, Z direction for 3 times					
Relay life cycle	Mechanical	Min. 10,000,000 operations					
	Malfunction	Min. 100,000 operations					
Protection structure		Front part: IP65 (IEC standards)					
Environment	Ambient temp.	-10 to 55°C, storage: -25 to 65°C					
	Ambient humi.	35 to 85% RH, storage: 35 to 85% RH					
Approval							
Weight*1		Approx. 212g (approx. 159g)		Approx. 228g (approx. 140g)		Approx. 322g (approx. 252g)	

※1: The weight includes packaging. The weight in parentheses is for unit only.

※ Environment resistance is rated at no freezing or condensation.

3 Communication Specification

Comm. protocol	Modbus RTU (16bit CRC)
Connection type	RS485
Application standard	Compliance with EIA RS485
Max. connection	31 units (address: 1 to 127)
Synchronous method	Asynchronous
Comm. type	Two-wire half duplex (half duplex)
Comm. distance	Max. 800m
Comm. speed	2400, 4800, 9600 (factory default), 19200, 38400bps
Comm. response time	5 to 99ms (factory default: 20ms)
Start bit	1-bit (fixed)
Data bit	8-bit (fixed)
Parity bit	None (factory default), Even, Odd
Stop bit	1, 2-bit (factory default: 2bit)



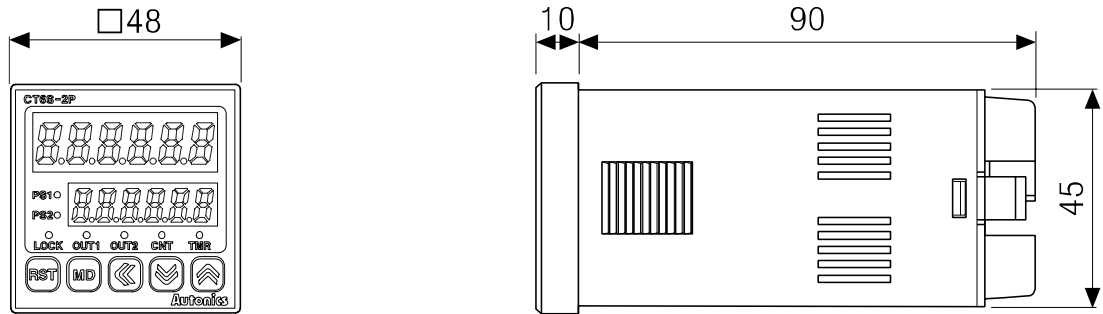
Note

It is recommended to use communication converter RS232C to RS485 (SCM-38I, sold separately), USB to RS485 (SCM-US48I, sold separately). Communication cable should be twisted pair cable for RS485 communication.

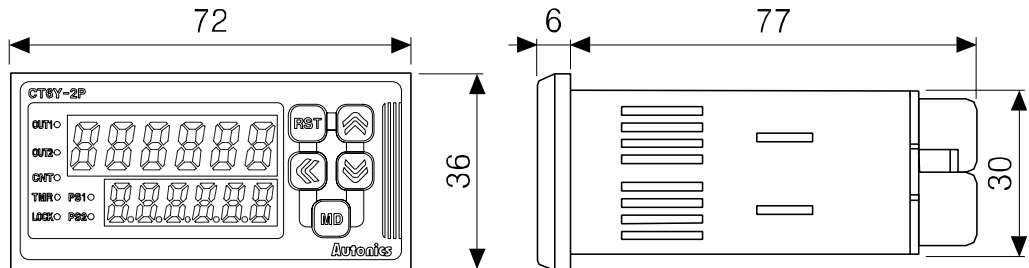
4 Dimensions

(unit: mm)

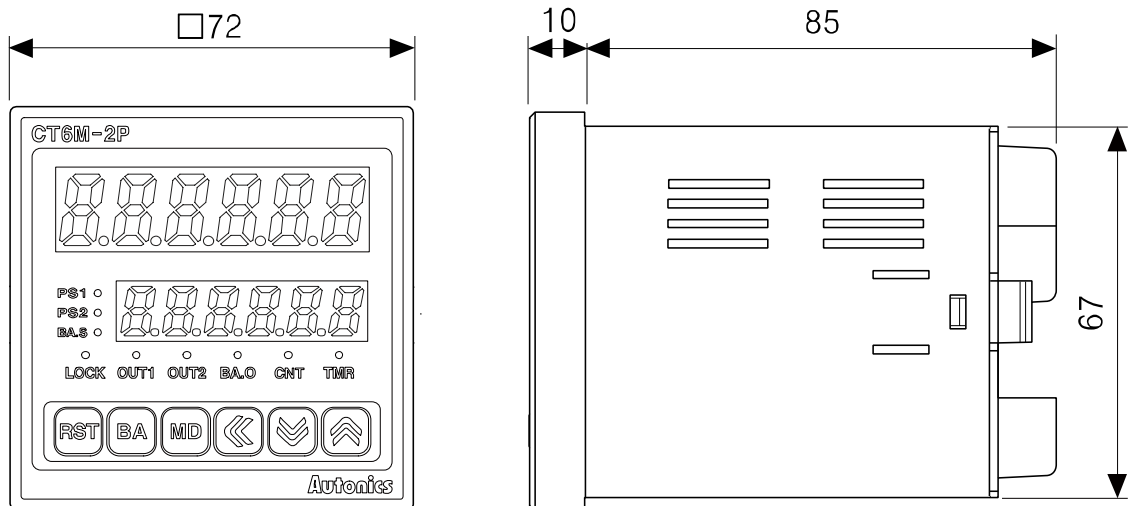
4.1 CTS Series



4.2 CTY Series



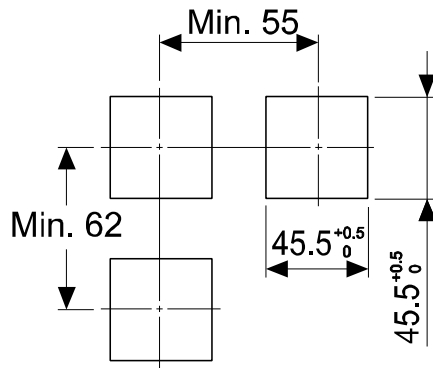
4.3 CTM Series



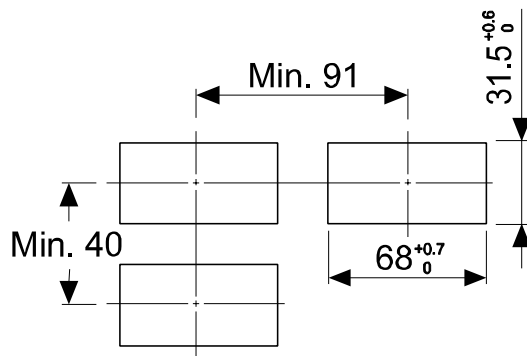
4.4 Panel cut-out dimensions

(unit: mm)

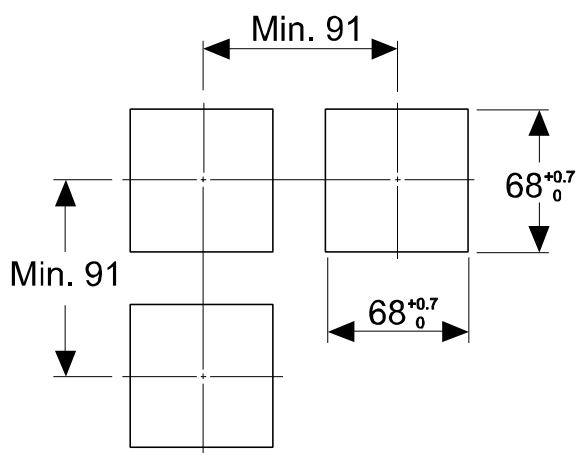
4.4.1 CTS Series



4.4.2 CTY Series



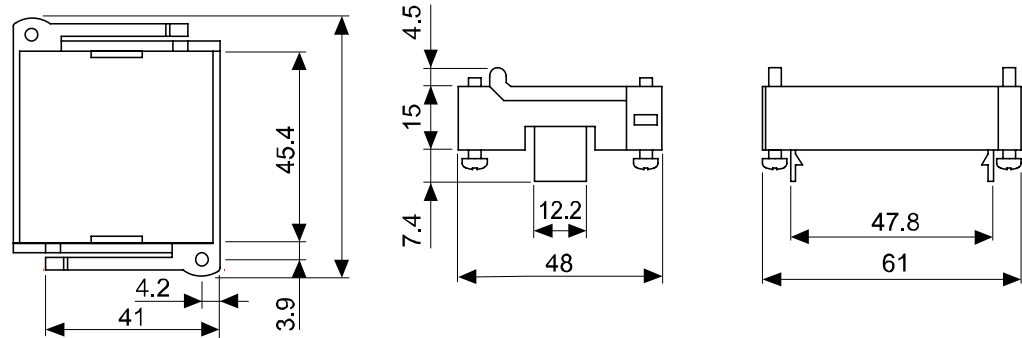
4.4.3 CTM Series



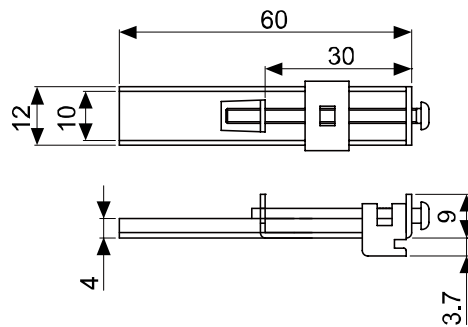
4.5 Bracket

(unit: mm)

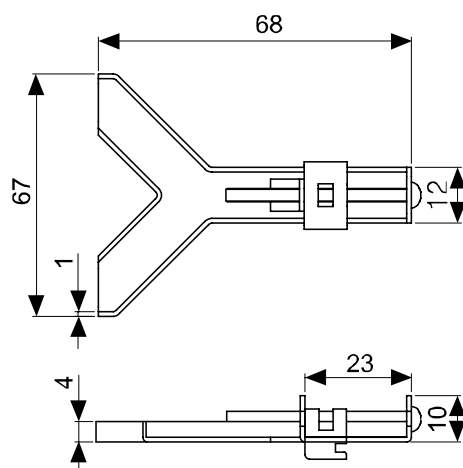
4.5.1 CTS Series



4.5.2 CTY Series



4.5.3 CTM Series

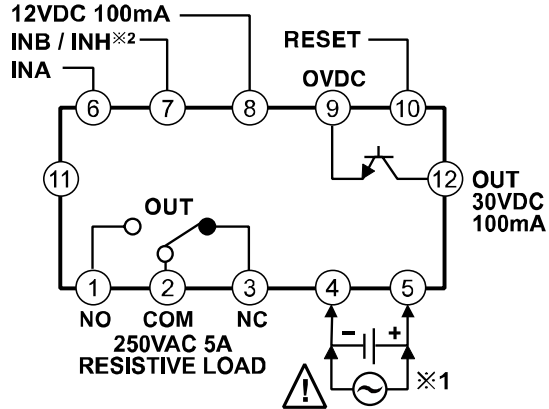


5 Guide For Connection

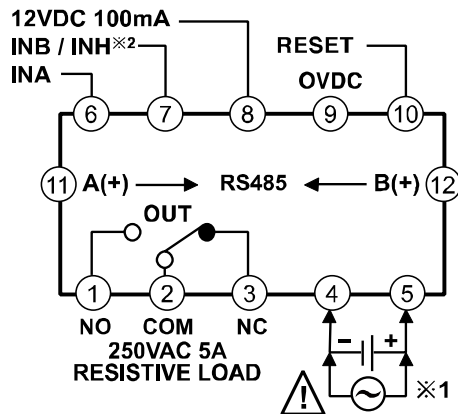
5.1 Connections

5.1.1 CTS Series

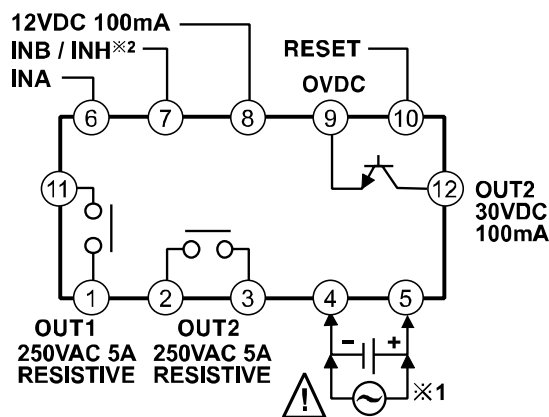
(1) CT□S-1P□

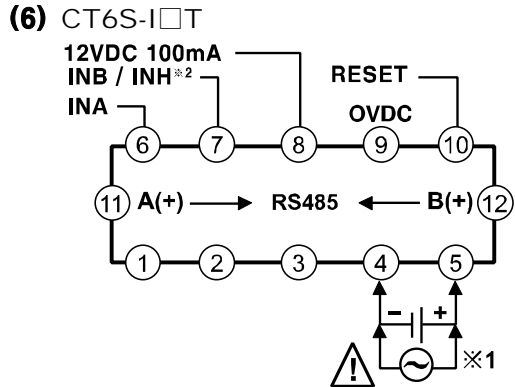
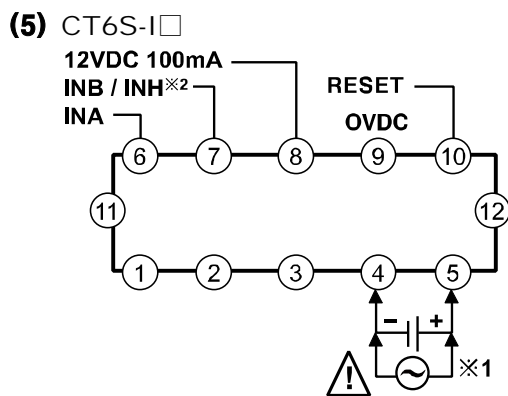
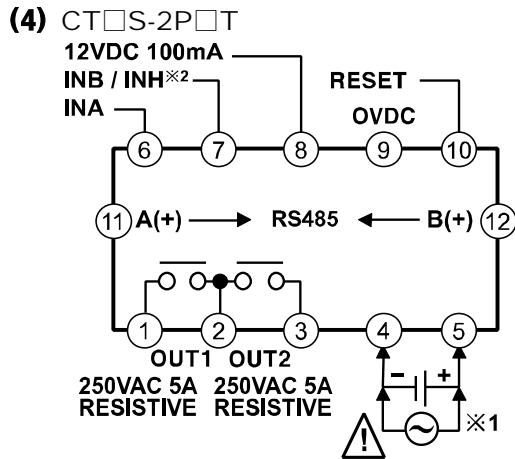


(2) CT□S-1P□T



(3) CT□S-2P□





Warning

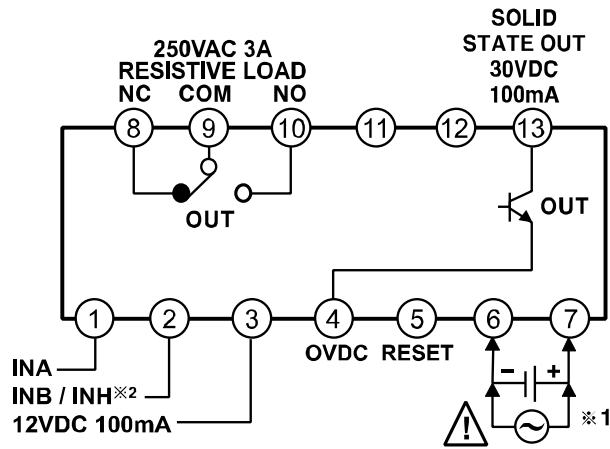
Be sure that connection is varied by supporting RS485 communication.

※1: AC voltage: 100-240VAC 50/60Hz
AC/DC voltage: 24-48VDC, 24VAC 50/60Hz

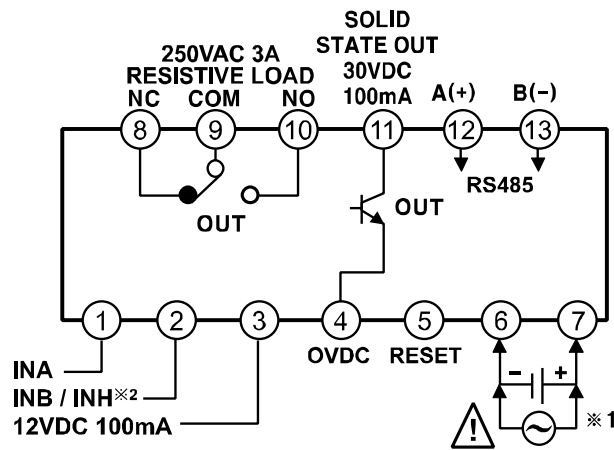
※2: Counter operation: If INHIBIT signal is applied, count input will be prohibited.
Timer operation: If INHIBIT signal is applied, time progressing will stop.(HOLD)

5.1.2 CTY Series

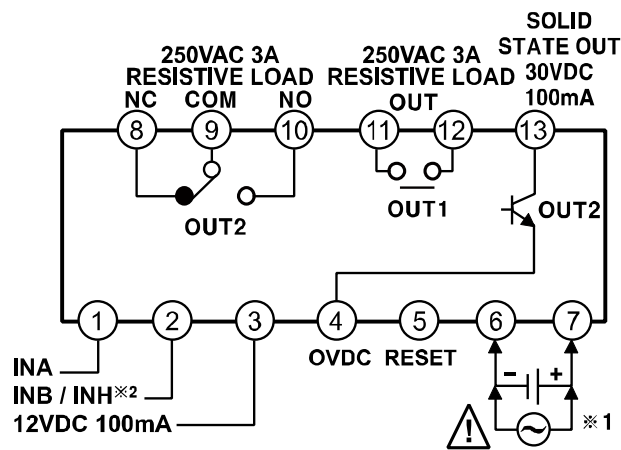
(1) CT6Y-1P□



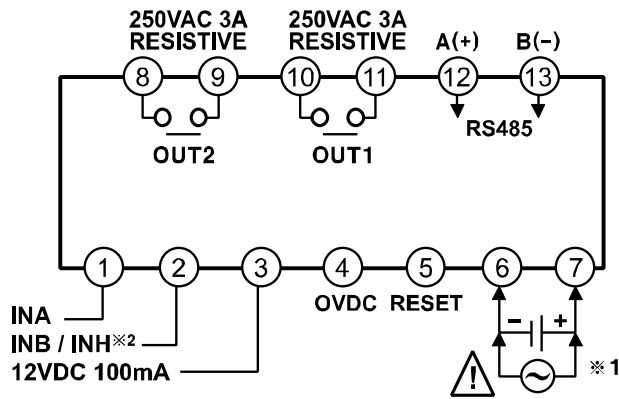
(2) CT6Y-1P□T



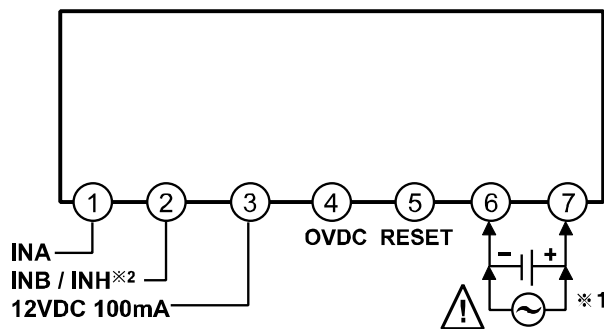
(3) CT6Y-2P□



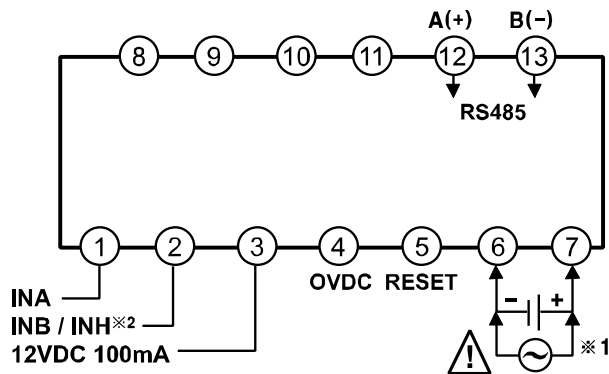
(4) CT6Y-2P□T



(5) CT6Y-I□



(6) CT6Y-I□T

**Warning**

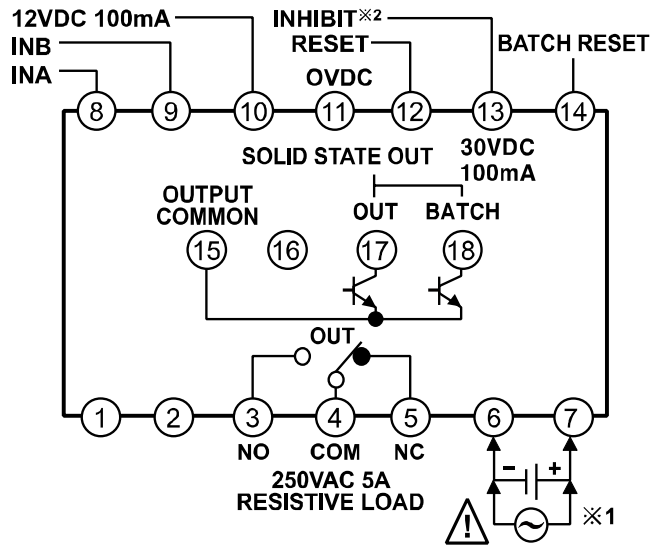
Be sure that connection is varied by supporting RS485 communication.

※1: AC voltage: 100-240VAC 50/60Hz
AC/DC voltage: 24-48VDC, 24VAC 50/60Hz

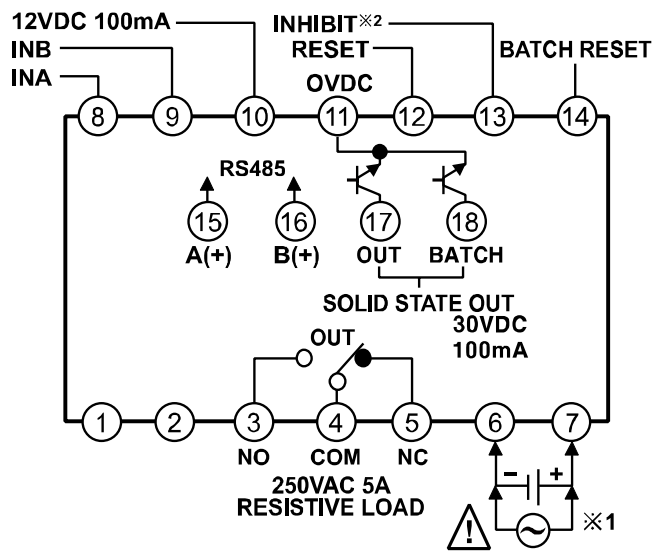
※2: Counter operation: If INHIBIT signal is applied, count input will be prohibited.
Timer operation: If INHIBIT signal is applied, time progressing will stop.(HOLD)

5.1.3 CTM Series

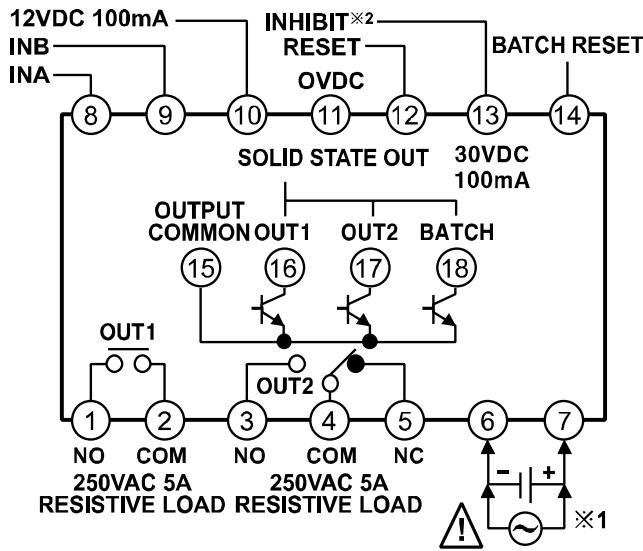
(1) CT6M-1P□



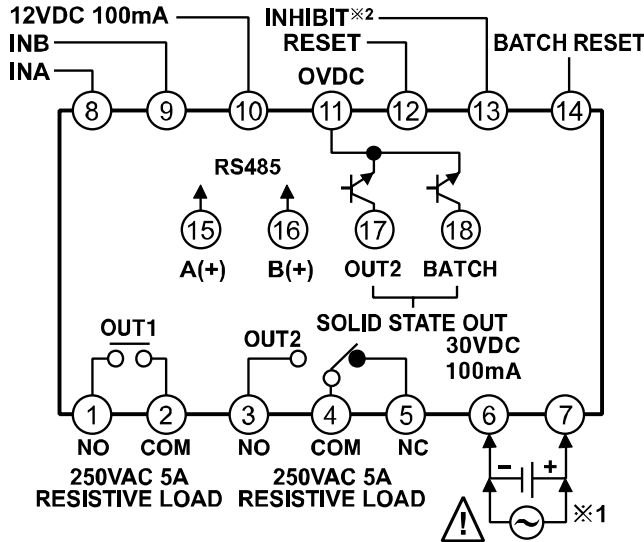
(2) CT6M-1P□T



(3) CT6M-2P□



(4) CT6M-2P□T



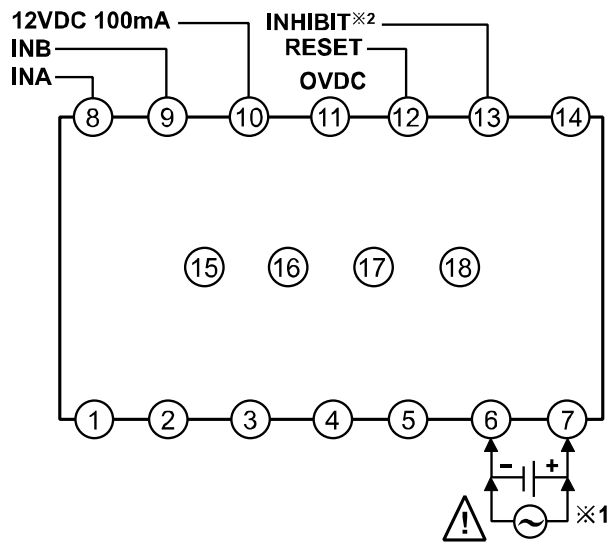
Warning

Be sure that connection is varied by supporting RS485 communication.

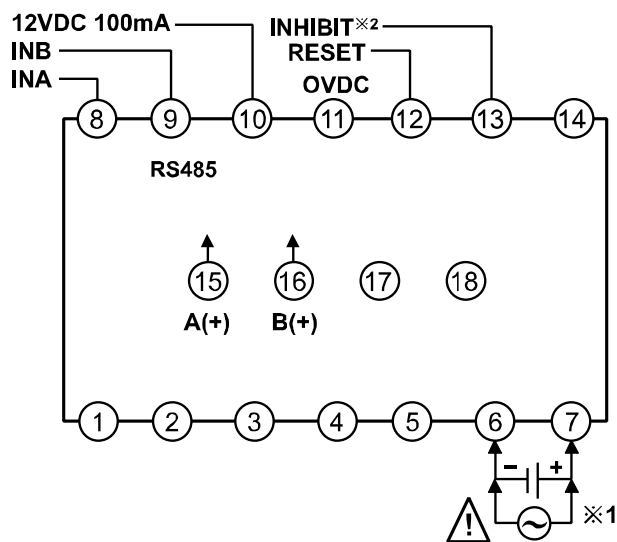
※1: AC voltage: 100-240VAC 50/60Hz
 AC/DC voltage: 24-48VDC, 24VAC 50/60Hz

※2: Counter operation: If INHIBIT signal is applied, count input will be prohibited.
 Timer operation: If INHIBIT signal is applied, time progressing will stop.(HOLD)

(5) CT6M-I□



(6) CT6M-I□T

**Warning**

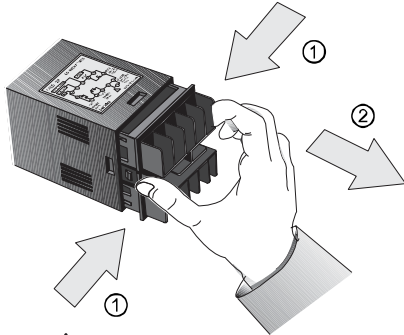
Be sure that connection is varied by supporting RS485 communication.

※1: AC voltage: 100-240VAC 50/60Hz
AC/DC voltage: 24-48VDC, 24VAC 50/60Hz

※2: Counter operation: If INHIBIT signal is applied, count input will be prohibited.
Timer operation: If INHIBIT signal is applied, time progressing will stop.(HOLD)

5.2 Input and Output connection

5.2.1 Input logic selection [no-voltage(NPN)/voltage(PNP)]

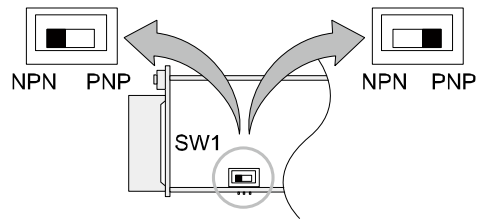


⚠ Turn OFF the power before changing input logic (PNP/NPN)

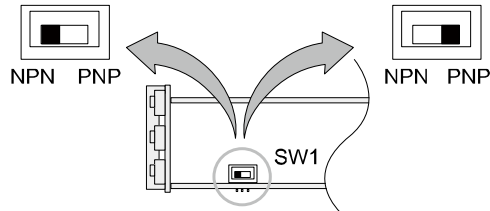
1. The power must be cut OFF.
2. Squeeze toward ① and pull toward ② as the figure. (CTS/CTY Series)
3. Select input logic by using input logic switch (SW1) inside Counter/Timer.
4. Push a case in the opposite direction of ②.
5. Then supply the power to counter/timer.

(1) CTS Series

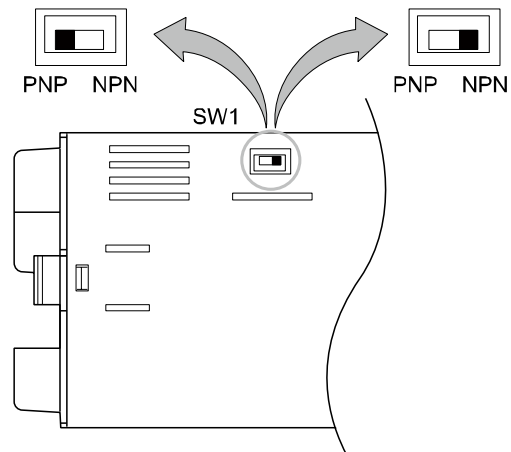
No-voltage input (NPN) Voltage input (PNP)

**(2) CTY Series**

No-voltage input (NPN) Voltage input (PNP)

**(3) CTM Series**

Voltage input (PNP) No-voltage input (NPN)

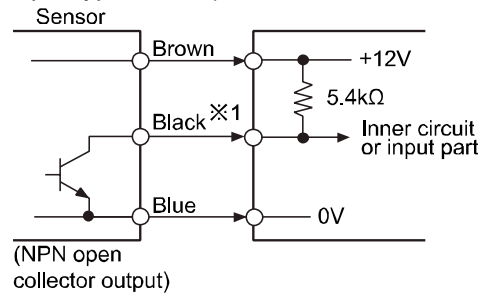
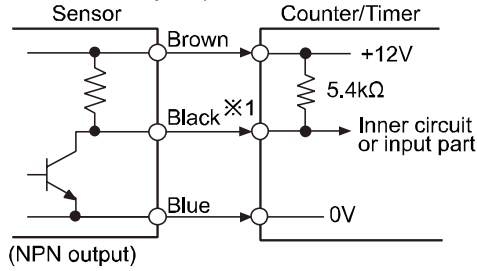
**Warning**

Turn OFF the power to select or change input logic (PNP/NPN).

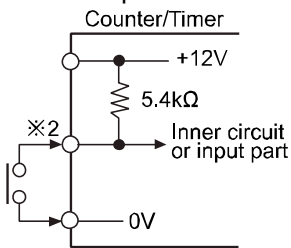
5.2.2 Input connection

(1) No-voltage input (NPN)

- Solid state input (standard sensor: NPN output type sensor)

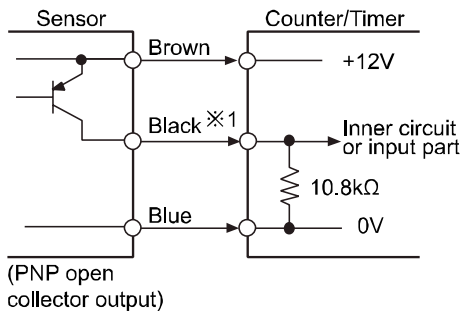
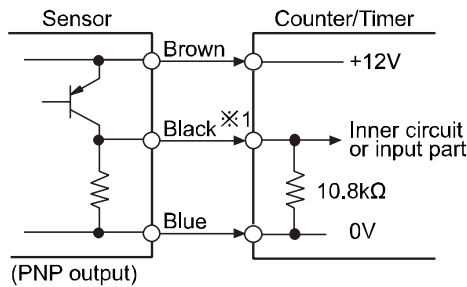


- Contact input

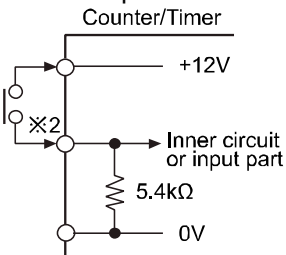


(2) Voltage input (PNP)

- Solid state input (standard sensor: PNP output type sensor)



- Contact input



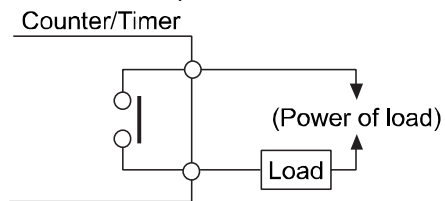
Note

※1: INA, INB/INH, RESET, INHIBIT, BATCH RESET input part

※2: For contact input, counting speed should be set 1cps or 30cps. (Counter)

5.2.3 Output connection

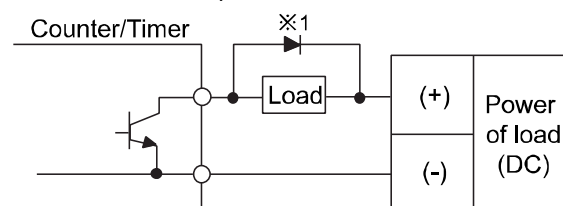
(1) Contact output



Note

Select the load which capacity is not over contact capacity.

(2) Solid state output



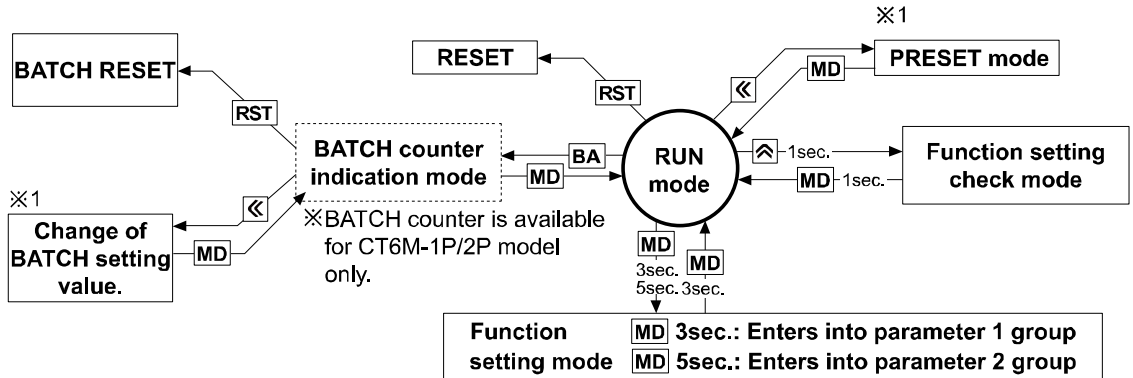
Note

- For solid state output, select load power and load not to be over (max. 30VDC, 100mA), switching capacity.
- Do not supply reverse polarity voltage.

※1: For using inductive load (relay, etc), connect surge absorber (diode, varistor, etc) at the both ends of load.

6 Basic Operations (Counter/Timer/Communication)

6.1 Operations and functions

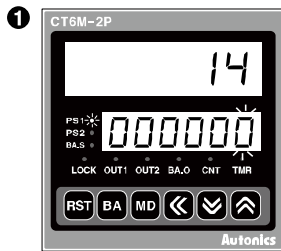


Note

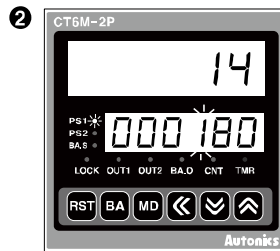
※1: If no key is touched for 60 sec, the counter will return to RUN mode without being restored setting value in setting value change mode.

6.1.1 Setting value change mode (Counter/Timer)

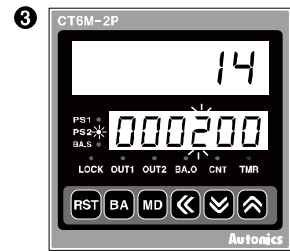
- In RUN mode, press the **MD** key to enter setting value change mode.
- Even if changing the setting value, input operation and output control will continue. In addition, the setting value could be set to 0 and the output of 0 setting value turns ON.
- When entering the setting value change mode, the counting value display component displays present value and the setting value display component displays the setting value.
- According to the output mode, setting value could not be set to 0. (When setting to 0, setting value "0" will flash 3 times.)



1 In RUN mode, press the **MD** key to enter preset mode. 'PS1' indicator turns ON and first digit of preset value flashes.



2 Press the **MD**, **MD**, and **MD** keys to set the desired value (example, 180). Press the **MD** key to enter the PS2 setting mode.





3 Press the **MD**, **MD**, and **MD** keys to set the desired value (example, 200). Press the **MD** key to return RUN mode.


※In case of 1-stage preset, indicator model, PRESET2 displays PS and PRESET1 does not displayed.

※Press the **MD** key to save the changing setting value at each parameter and it moves the next parameter or returns in RUN mode.


6.1.2 Setting value check mode

Setting value of setting mode can be confirmed using the  and  keys.

6.1.3 Switching display function in preset indicator

Setting value 1(PS1) and setting value 2(PS2) are displayed each time pressing  key in dual setting value change model. (In timer, it is available for *ond*, *ond.1*, *ond.2* output mode.)

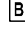

6.1.4 RESET

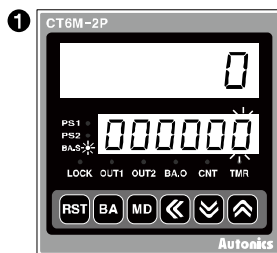
In RUN mode or function setting mode, if pressing  key or applying the signal to the RESET terminal on the back side, present value will be reset and output will maintain off status. When selecting voltage input (PNP), short no.10 and no. 12 terminals, or when selecting no-voltage input (NPN), short no.11 and no.12 terminals to reset.

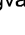
6.2 BATCH counter

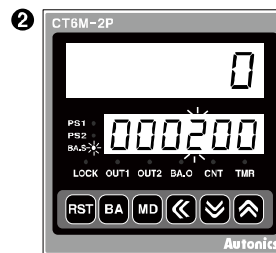
(only for CT6M-1P□□/CT6M-2P□□ model)



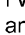

BATCH counter displays the repeat same operation to the setting value.


- In RUN mode, press the  key to enter BATCH counter indication mode.
- In BATCH counter indication mode, 'BATCH counter value' is displayed in count indicator and 'BATCH counter setting value' is displayed in preset indicator.
- In BATCH counter indication mode, press the  key to set BATCH setting value change mode.




It enters into setting value change mode using  key. (BA.S lights, first digit of setting value flashes.)



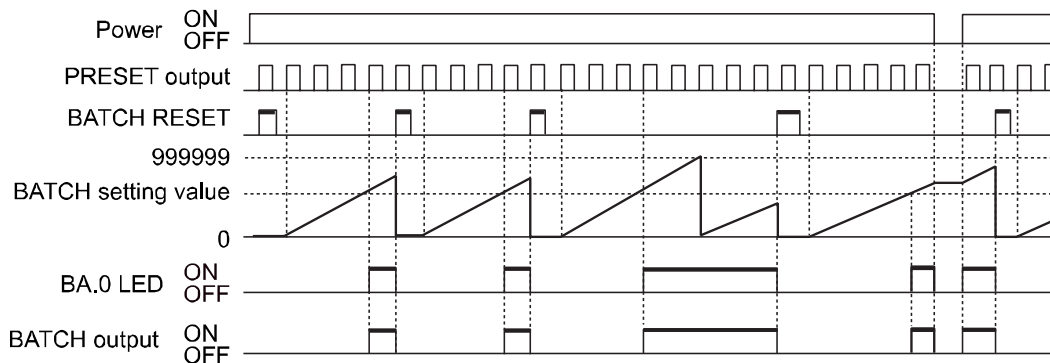
BATCH value is set to '200' using ,  and  keys, then press  key to complete BATCH setting value and move to BATCH counter indication mode.

- Press the  key to return BATCH counter indication mode.

※If setting BATCH counter setting value as '0', BATCH output does not turn ON.

※In BATCH counter indication mode, press the  key to return RUN mode.

6.2.1 BATCH counter operation



6.2.2 BATCH counting operation

- BATCH counting value is increasing until BATCH reset signal applied. BATCH counting value will be circulated when it is over 999999.
- BATCH counting operation in Counter: Counts the number of reaching setting value.
- BATCH counting operation in Timer: Counts the number of reaching setting time. (in case of 'FLP' output mode, it counts the number of reaching T.off setting time and T.on setting time.)

6.2.3 BATCH output operation

- If input signal is applied while changing BATCH setting value, counting operation and output control will be performed.
- If BATCH count value equals to BATCH setting value, BATCH output will be ON and maintain ON status until BATCH reset signal is applied.
- When the power is cut off then resupplied in status of BATCH output is ON, BATCH output maintains ON status until BATCH reset signal is applied.

※In case of from 'BATCH setting value > BATCH counting value' to 'BATCH setting value ≤ BATCH counting value' and returning to RUN mode, BATCH output turns ON.

※In case of from turning ON BATCH output to 'BATCH setting value > BATCH counting value', BATCH output maintains ON until BATCH RESET input applied.

6.2.4 BATCH RESET input

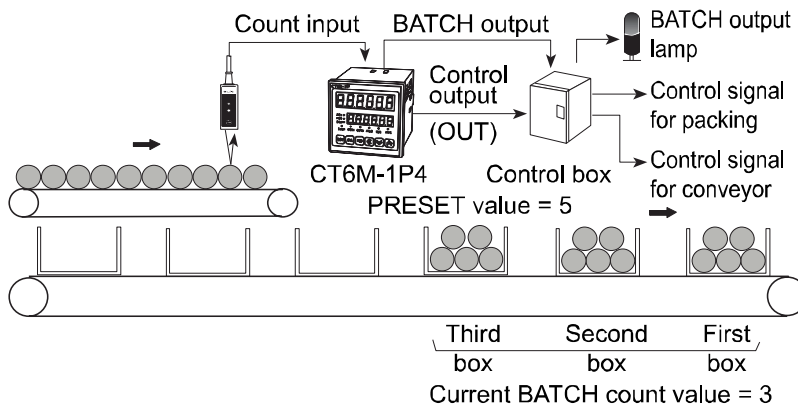
- In BATCH counter indication mode, press the **[RST]** key or applying the signal to BATCH reset terminal on the back side panel, BATCH counting value will be reset. When selecting voltage input (PNP), short terminals 10 and 14, or when selecting no-voltage input (NPN), short terminals 11 and 14 to reset.
- When BATCH reset is applied, BATCH counting value maintains at 0 and BATCH output maintains in the OFF status.

6.2.5 Example of BATCH counter

(1) Counter

In case, putting 5 products in a box then packing the boxes when they reach to 200.

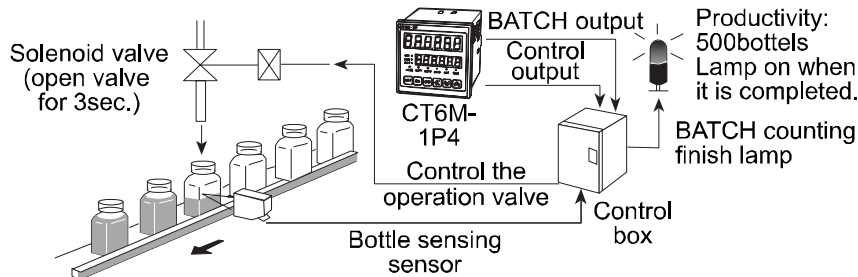
- Counter setting: Preset setting value=5, BATCH setting value =200
- When the count value of counter reaches to the setting value "5", the control output (OUT) will be on, and at this time the count value of the BATCH counter will be increased by "1". The control box which is received the control output (OUT) repeatedly controls conveyor to move the full box and to place the next empty box for standby.
- When the BATCH count value reaches to "200", BATCH output will be ON. Then the control box stops conveyor and provides a control signal for packing.



(2) Timer

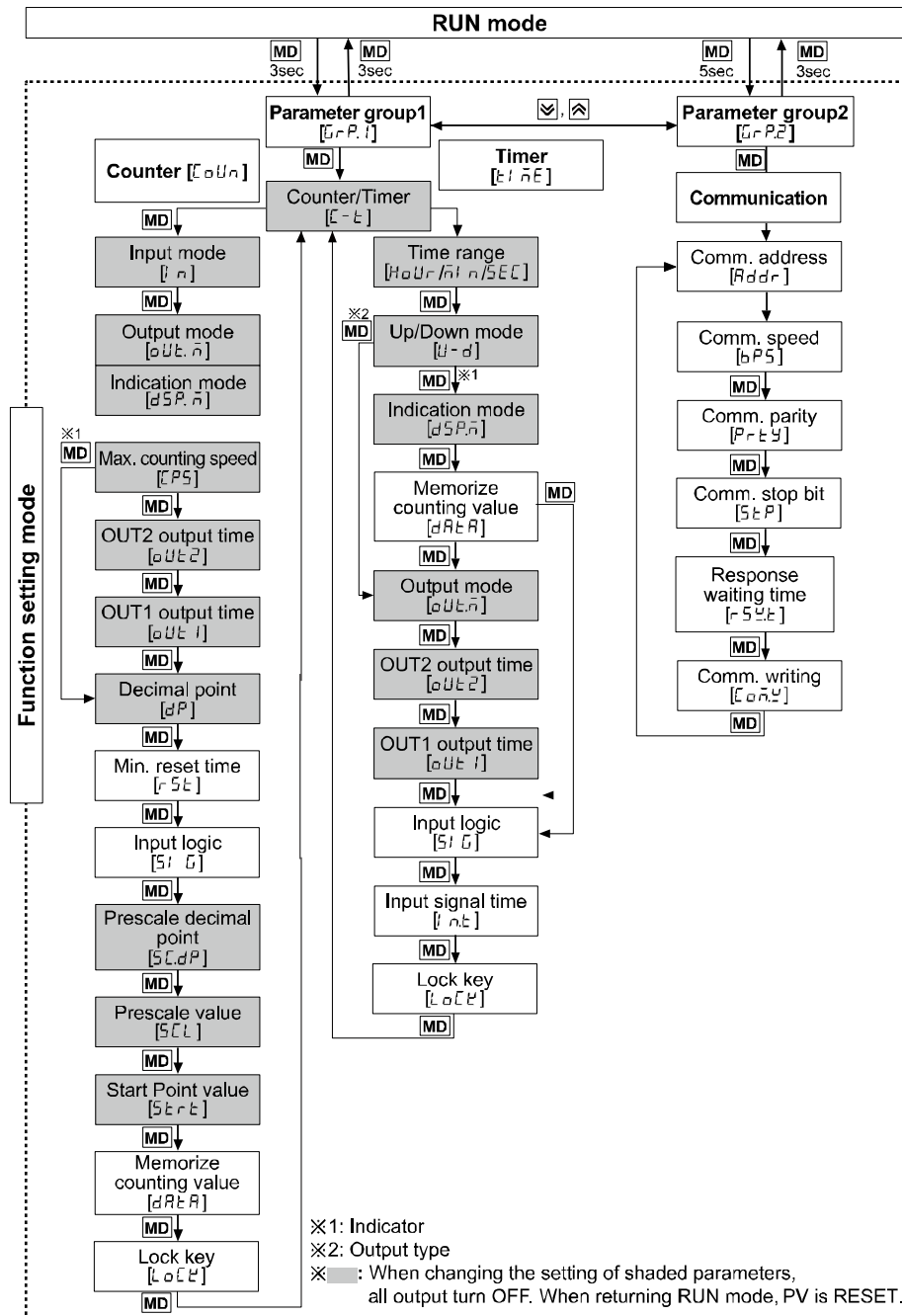
Fills milk into the bottle for 3 sec (setting time) When 500 bottles are filled, BATCH counting finish lamp is turned on.

(setting time: 3 sec, BATCH setting value: 500)



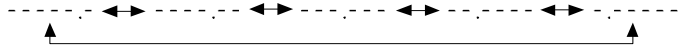
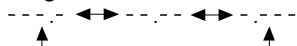




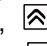



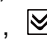
6.3 Setting mode

- In RUN mode, hold the **[MD]** key for 3 sec/5 sec to enter parameter 1 group, parameter 2 group.
- In setting mode, hold the **[MD]** key for 3 sec to return RUN mode.



Note

- ※Counter counting and output control operates continuously even entering setting mode.
- ※When changing the setting values of parameter 1 group via communication, the display value and output are reset.
- ※Parameter 2 group is not available to non-communication models.

Parameter	Parameter setting value
Min. reset time [r5t]	$1 \leftrightarrow 20$, unit: ms ※Set min. width of external reset signal input.
Input logic [5iG]	nPN: no-voltage input, PnP: voltage input ※Check input logic (NPN, PNP).
Prescale decimal point※2 [5C.dP]	<ul style="list-style-type: none"> ● 6-digit model  ● 4-digit model  ※Decimal point of prescale should not set smaller than decimal point [dP].
Prescale value [5CL]	※Setting range of prescale value 6-digit model: 0.00001 to 99999.9, 4-digit model: 0.001 to 999.9
Start point value [5trt]	※Setting range is linked with decimal point [dP]. 6-digit model: 0.00000 to 999999, 4-digit model: 0.000 to 9999 ※When input mode is dn, dn-1, dn-2, start point value does not appear.
Memory protection [dAtA]	$CLr \leftrightarrow rEC$ ※CLr: Resets the counting value when power OFF. rEC: Maintains the counting value when power OFF. (memory protection)
Key lock [LoCK]	$LoFF \leftrightarrow LoC.1 \leftrightarrow LoC.2 \leftrightarrow LoC.3$  <ul style="list-style-type: none"> ※LoFF: Unlock keys, key lock indicator turns OFF LoC.1: Locks  key, key lock indicator turns ON LoC.2: Locks , ,  keys, key lock indicator turns ON LoC.3: Locks , , ,  keys, key lock indicator turns ON



Note

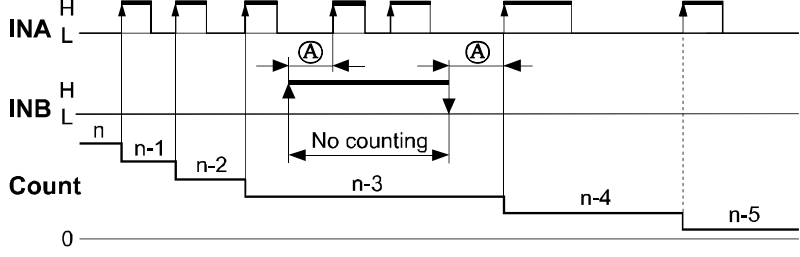
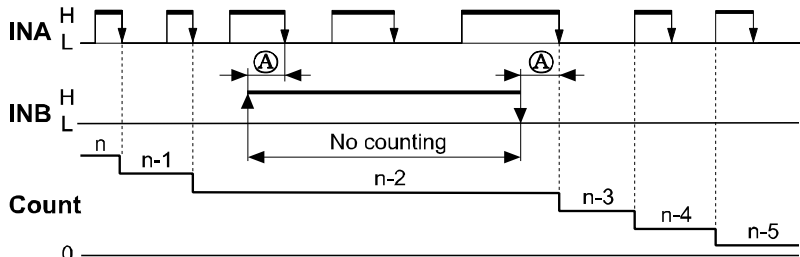
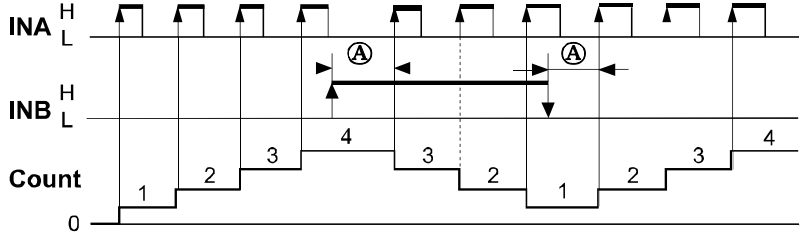
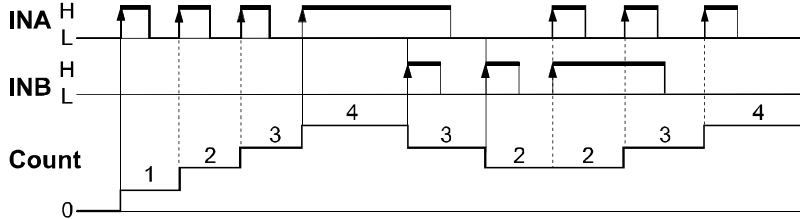
※1: For 1-stage setting value change model, OUT1 does not appear. The output time of OUT2 is displayed as oUtt.

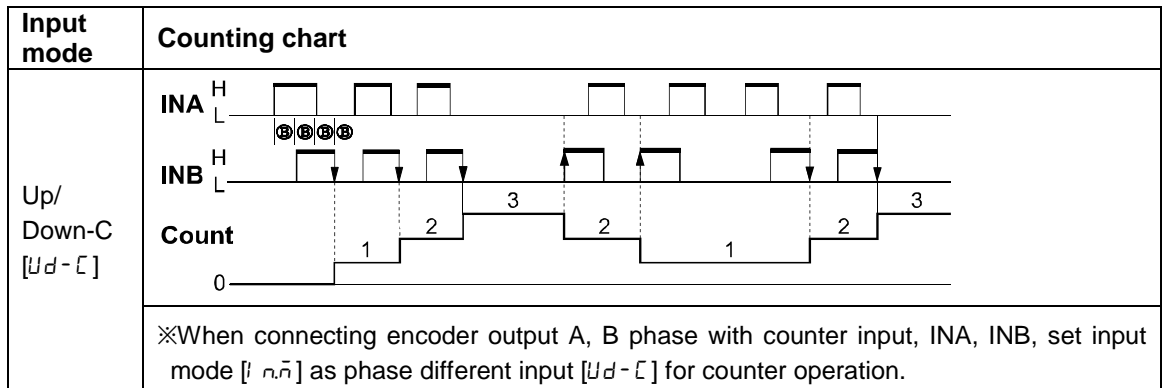
※2: Decimal point and prescale decimal point

- Decimal point: Set the decimal point for display value regardless of prescale value.
- Prescale decimal point: Set the decimal point for prescale value of counting value regardless of decimal point of display value.

7.2 Input mode

Input mode	Counting chart
Up [UP]	<p>Timing diagram for Up mode. The INA signal has rising edges, and the INB signal has falling edges. The count signal increases from 0 to 7. A 'No counting' period is indicated when both INA and INB are high. Circles with 'A' mark the rising edges of INA.</p>
	<p>※When INA is counting input, INB is no counting input. When INB is counting input, INA is no counting input.</p>
Up-1 [UP-1]	<p>Timing diagram for Up-1 mode. The INA signal has rising edges, and the INB signal is high. The count signal increases from 0 to 5. A 'No counting' period is indicated when INB is high. Circles with 'A' mark the rising edges of INA.</p>
	<p>※When INA input signal is rising (\uparrow), it counts. ※INA: Counting input ※INB: No counting input</p>
Up-2 [UP-2]	<p>Timing diagram for Up-2 mode. The INA signal has falling edges, and the INB signal is high. The count signal increases from 0 to 4. A 'No counting' period is indicated when INB is high. Circles with 'A' mark the falling edges of INA.</p>
	<p>※When INA input signal is falling (\downarrow), it counts. ※INA: Counting input ※INB: No counting input</p>
Down [DN]	<p>Timing diagram for Down mode. The INA signal has falling edges, and the INB signal has rising edges. The count signal decreases from n to n-7. A 'No counting' period is indicated when both INA and INB are high. Circles with 'A' mark the falling edges of INA.</p>
	<p>※When INA is counting input, INB is no counting input. When INB is counting input, INA is no counting input.</p>

Input mode	Counting chart
Down-1 [dn-1]	 <p> INA: H, L, H, L, H, L, H, L, H, L, H, L, H, L, H, L, H, L, H, L, H, L INB: H, H, H, H, H, H, H, H, H, H, H, H, H, H, H, H, H, H, H, H, H, H Count: n, n-1, n-2, n-3, n-4, n-5 0 </p>
	<p> ※When INA input signal is rising (\uparrow), it counts. ※INA: Counting input ※INB: No counting input </p>
Down-2 [dn-2]	 <p> INA: H, L, H, L, H, L, H, L, H, L, H, L, H, L, H, L, H, L, H, L, H, L INB: H, H, H, H, H, H, H, H, H, H, H, H, H, H, H, H, H, H, H, H, H, H Count: n, n-1, n-2, n-3, n-4, n-5 0 </p>
	<p> ※When INA input signal is falling (\downarrow), it counts. ※INA: Counting input ※INB: No counting input </p>
Up/ Down-A [Ud-A]	 <p> INA: H, L, H, L, H, L, H, L, H, L, H, L, H, L, H, L, H, L, H, L, H, L INB: H, H, L, L, H, H, L, L, H, H, L, L, H, H, L, L, H, H, L, L, H, H Count: 0, 1, 2, 3, 4, 3, 2, 1, 2, 3, 4 0 </p>
	<p> ※INA: Counting input INB: Counting command input ※When INB is "L", counting command is up. When INB is "H", it is counting command is down . </p>
Up/ Down-B [Ud-b]	 <p> INA: H, L, H, L, H, L, H, L, H, L, H, L, H, L, H, L, H, L, H, L, H, L INB: H, H, H, H, L, L, L, L, H, H, H, H, L, L, L, L, H, H, H, H, L, L Count: 0, 1, 2, 3, 4, 3, 2, 2, 3, 4 0 </p>
	<p> ※INA: Up counting input INB: Down counting input ※INA: When INA and INB input signals are rising (\uparrow) at the same time, it maintains previous counting value. </p>



※Ⓐ: over min. signal width, Ⓑ: over than 1/2 of min. signal width.
If the signal is smaller than these width, it may cause counting error (±1)



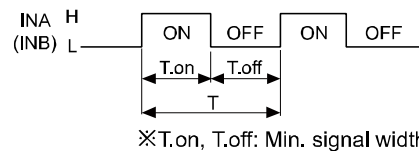
Note

※The meaning of "H", "L"

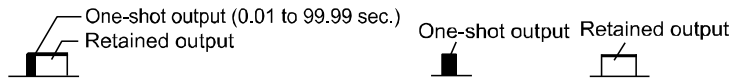
Character \ Input method	Voltage input (PNP)	No-voltage input (NPN)
H	5-30VDC	Short
L	0-2VDC	Open

※Min. signal width by counting speed (1cps = 1Hz)

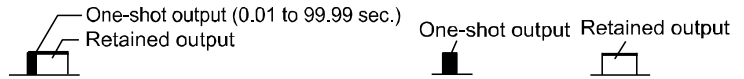
Counting speed	Min. signal width
1cps	500ms
30cps	16.7ms
1kcps	0.5ms
5kcps	0.1ms
10kcps	0.05ms



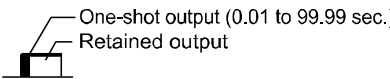
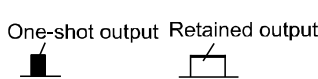
7.3 Output mode

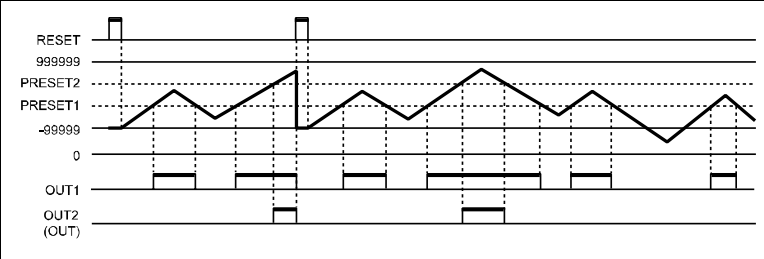
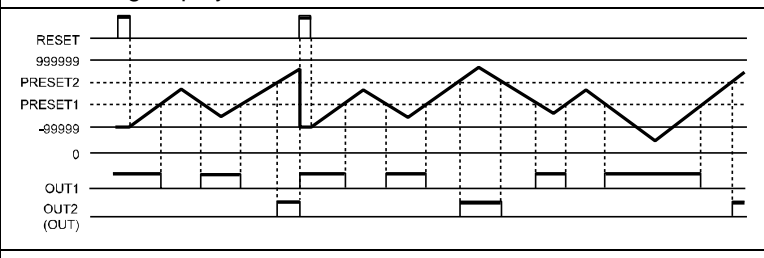
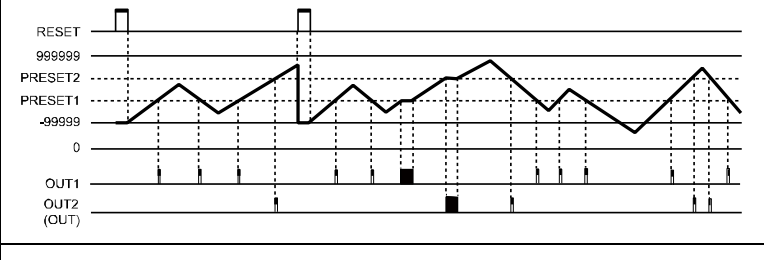


Output mode	Input mode		
	Up, Up-1, 2	Down, Down-1, 2	Up/Down A, B, C
F [F]			
	<p>※After count-up, counting display value increases or decreases until reset signal is applied and retained output is maintained.</p>		
N [n]			
	<p>※After count-up, counting display value and retained output are maintained until reset signal is applied.</p>		
C [C]			
	<p>※When count-up, counting display value will be reset and count simultaneously. ※OUT1 retained output will be off after OUT2 one-shot time. ※The one-shot output time of OUT1 one-shot output time is operated regardless of OUT2 output.</p>		
R [r]			
	<p>※After count-up, counting value display is reset after one-shot output time of OUT2 and it counts simultaneously. ※OUT1 retained output will be off after OUT2 one-shot time. ※OUT1 one-shot output time is operated regardless of OUT2 output.</p>		



Output mode	Input mode		
	Up, Up-1, 2	Down, Down-1, 2	Up/Down A, B, C
K [K]			
	<p>※After count-up, counting display value increases or decreases until RESET input is applied.</p> <p>※OUT1 retained output is off after OUT2 one-shot time.</p> <p>※OUT1 one-shot output time is operated regardless of OUT2 output.</p>		
P [P]			
	<p>※After count-up, counting display value is maintained while OUT2 output is on. Counting value is internally reset and counts simultaneously.</p> <p>※When OUT2 output is off, displays counting value while OUT2 is ON, and it increases or decreases.</p> <p>※OUT1 retained output is off after OUT2 one-shot time.</p> <p>※OUT1 one-shot output time is operated regardless of OUT2 output.</p>		
Q [Q]			
	<p>※After count-up, counting display value increases or decreases during OUT2 one-shot time.</p> <p>※OUT1 retained output is off after OUT2 one-shot time.</p> <p>※OUT1 one-shot output time is operated regardless of OUT2 output.</p>		
A [A]			
	<p>※After count-up, counting display value and OUT1 retained output are maintained until RESET input is applied.</p> <p>※OUT1 one-shot output time is operated regardless of OUT2 output.</p>		

Output mode	Up/Down A, B, C
S [S]	 <p>※OUT1 and OUT2 keep ON status in following condition: Counting display value \geq PRESET1 Counting display value \geq PRESET2</p>
T [t]	 <p>※OUT1 output is off: Counting display value \geq PRESET1 (when PRESET 1 is 0, OUT1 output maintains ON state.) ※OUT2 keeps ON status in following condition: Counting display value \geq PRESET2</p>
D [d]	 <p>※When counting display value is equal to setting value [PRESET1, PRESET2] only, OUT1 or OUT2 output keeps ON status. ※When setting 1kcps for counting speed, solid state contact output should be used. (When using contact output, it is difficult to execute normal output operation due to contact reaction time.)</p>



Note

- ※OUT output as 1-stage setting value change model operates as output of OUT 2 as 2-stage setting value change model.
- ※In case of 2-stage setting value change model, OUT1 output operates as as one-shot output or retained output. (except S, t, d mode)
- ※OUT1 output is available to set as '0' at every output mode. The output for '0' setting executes.
- ※In case of C[ε], R[ε], P[ε], Q[ε] output mode, OUT2 output is not available to set as '0'.

7.4 Counter operation for indicator model

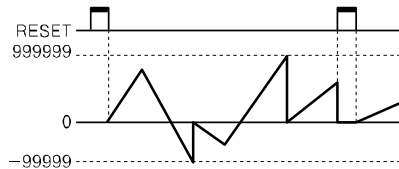
※Only for indicator model.

Indication Mode [dSP.n]	Counting chart	
	Up input mode (Up, Up-1, Up-2)	Down input mode (Down, Down-1, Down-2)
TOTAL [Total]		
<p>Count value increases or decreases until RESET input is applied. When input is over max./min. counting value, it displays 0. When Reset input is applied, it displays 0(Up)/999999(Down).</p>		
HOLD [Hold]		
<p>Count value increases or decreases until RESET input is applied. When input is reaching setting value(Up)/0(Down), the display value is hold. When Reset input is applied, it displays 0(Up)/setting value(Down).</p>		



Note

※When the command input [Ud-A], individual input [Ud-b], phase difference input [Ud-C] mode,



※In case of UP/DOWN [Ud-A, Ud-b, Ud-C] input mode, indication mode [dSP.n] parameter does not appear.

7.5 Output operation for other conditions

7.5.1 Start point

- In case of counter operation, set start point [5LrL] to count from the set value.
- It is not available for d_n, d_{n-1}, d_{n-2} input mode for counter.
- When RESET input is applied, the present value is reset as start point value.
- In case of C, r, P, Q output mode, it counts up and the present reset as start point value.

7.5.2 When start point value is larger than setting value, (UP, UP-1, UP-2, Ud-A, Ud-b, Ud-C mode)

(1) PRESET2 > Start Point > PRESET1

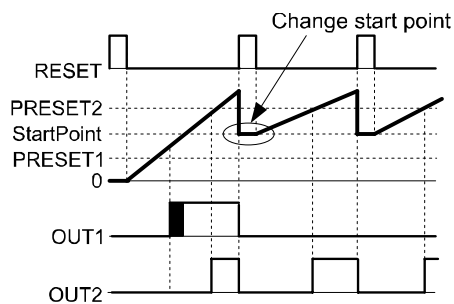
- UP, UP-1, UP-2 mode: Output of OUT1 does not execute.
- When the present value counts as PRESET 2, output of OUT2 turns ON.
- Ud-A, Ud-b, Ud-C mode: When the present value counts down as PRESET 1, output of OUT1 turns ON.



Ex.

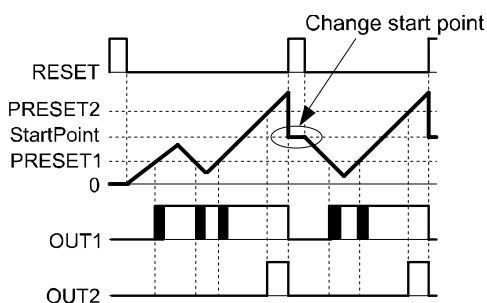
※Output mode: F

Input mode: UP, UP-1, UP-2



※Output mode: F

Input mode: Ud-A, Ud-b, Ud-C



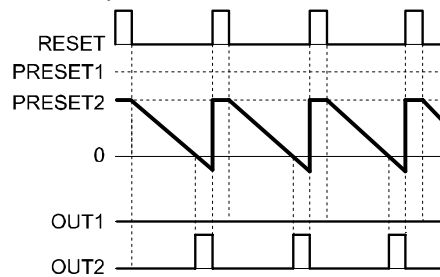
(2) PRESET2 > Start Point = PRESET1

In case of UP, UP-1, UP-2, Ud-A, Ud-b, Ud-C mode, output of OUT1 turns ON when RESET OFF.

7.5.3 When PRESET 1 is larger or equal than PRESET 2 at down mode

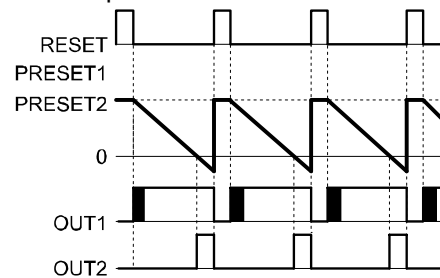
(1) PRESET1 > PRESET2

- Output of OUT1 does not execute.



(2) PRESET1 = PRESET2

- Output of OUT1 turns ON for RESET OFF.



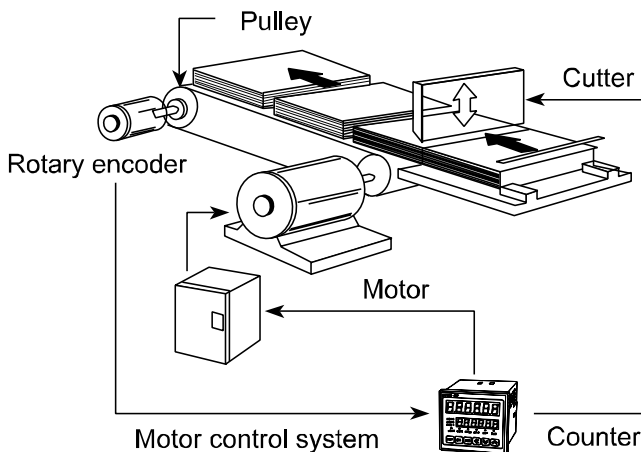
7.6 Prescale

This function is to set and display calculated unit for actual length, liquid, position, etc. It is called "prescale value" for measured length, liquid, or position, etc per 1 pulse. For example, when moving L, the desired length to be measured, and P, the number of pulses per 1 revolution of a rotary encoder, occurs, prescale value is L/P.



Ex.

- Positioning control by counter and encoder
[Diameter (D) of pulley connected with encoder= 22mm,
the number of pulses by 1 rotation of encoder=1,000]



- $$\text{Prescale value} = \frac{\pi \times \text{Diameter (D) of pulley}}{\text{The number of pulses by 1 rotation of encoder}}$$

$$= \frac{3.1416 \times 22}{1000}$$

$$= 0.069\text{mm/pulse}$$

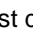
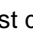
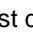
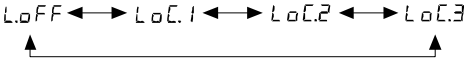





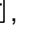

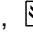
Set decimal point [dP] as [- - - - . -], prescale decimal point [$5L dP$] as [- - - . - - -], prescale value [$5LL$] as [0.069] at function setting mode. It is available to control conveyer position by 0.1mm unit.

8 Timer Mode

8.1 Parameter setting

(**MD** key: moves parameters, **↕**, **↔** key: changes parameter setting value)

Parameter	Parameter setting value
Counter/Timer [C-t]	<p>Count ↔ t n E ※Count: Counter t n E: Timer</p>
Time range [Hour/n/n/SEC]	<p>● 6-digit model</p> <p>● 4-digit model</p>
UP/DOWN mode [U-d]	<p>UP ↔ dn ※UP: Time progresses from '0' to the setting time. dn: Time progresses from the setting time to '0'.</p>
Indication mode [dSP,n]	<p>total ↔ Hold ↔ ont.d ※Used for the indicator model only. ※It is added that the feature which set the setting time when selecting Hold or ont.d.</p>
Memory protection [dARA]	<p>Clr ↔ rEC ※Used for the indicator model only. ※Clr: Reset time value when power is off. rEC: Memorizes time value at the moment of power off.</p>
Output mode [OUT,n]	<p>ond ↔ ond.1 ↔ ond.2 ↔ FLt ↔ FLt.1 ↔ FLt.2 ↔ Int ↑ IntG ↔ nFd.1 ↔ nFd ↔ oFd ↔ Int.2*2 ↔ Int.1</p>

Parameter	Parameter setting value
OUT2 output time ^{※1} [oUt2]	※Set one-shot output time of OUT2. ※Setting range: 0.01 to 99.99 sec, Hold ※When 1st digit is flashing, press the  key once and Hold appears.
OUT1 output time ^{※1} [oUt1]	※Set one-shot output time of OUT1. ※Setting range: 0.01 to 99.99 sec, Hold ※When 1st digit is flashing, press the  key once and Hold appears.
OUT output time ^{※1} [oUt.t]	※Setting range: 0.01 to 99.99 sec, Hold ※When 1st digit is flashing, press the  key once and Hold appears.
Input logic [SiG]	nPn: no-voltage input, PnP: voltage input ※Check input logic value (NPN, PNP).
Input signal time [i n.t]	t ←→ 20, unit: ms ※CTS/CTY: Set min. width of INA, INH, RESET signal. ※CTM: Set min. width of INA, RESET, INHIBIT, BATCH RESET signal.
Key lock [LoLk]	 ※LoFF: Unlock keys, key lock indicator turns OFF LoC.1: Locks  key, key lock indicator turns ON LoC.2: Locks  ,  ,  keys, key lock indicator turns ON LoC.3: Locks  ,  ,  ,  keys, key lock indicator turns ON

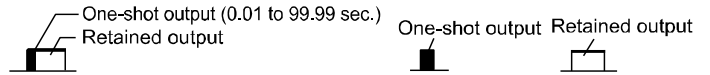


Note

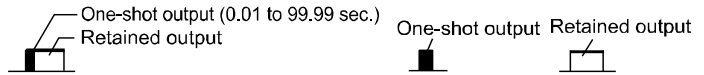
※1: When output mode is *FLt.1*, *FLt.2*, *IntG* and *ond*, *ond.1*, *ond.2* of 1-stage setting value change model, *oUt 1* does not appear. The output time of *oUt 2* is displayed as *oUt.t*.
 When output mode is *ond*, *ond.1*, *ond.2*, *Int.2*, *oUt 1* appears.

※2: *Int.2* mode is available only for 2-stage setting value change model.

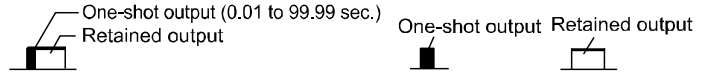
8.2 Output mode



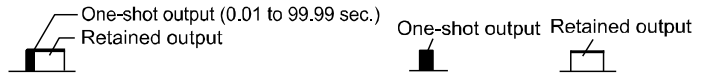
Output mode	Time chart
<p>OND [ond]</p>	<p>Signal ON Delay (Power RESET)</p> <ol style="list-style-type: none"> 1) Time starts when INA signal turns ON. 2) When INA signal turns OFF, time resets. 3) When INA signal is ON: Power ON Time Start is operated. RESET OFF Time Start is operated. 4) Control output operates as retained or one-shot output.
<p>OND.1 [ond.1]</p>	<p>Signal ON Delay 1 (Power RESET)</p> <ol style="list-style-type: none"> 1) Time starts when INA signal turns ON. 2) When INA signal is ON: Power ON Time Start is operated RESET OFF Time Start is operated. 3) Control output operates as retained or one-shot output. 4) Only first INA input signal is valid in case INA input signal is repeatedly applied.



Output mode	Time chart
<p>OND.2 [OND.2]</p>	<p>Power ON Delay 2 (Power Hold)</p> <ol style="list-style-type: none"> 1) Power ON Time Start (There is no INA function.) 2) RESET ON: Time RESET RESET ON→OFF: Time Start 3) Control output operates as retained or one-shot output. 4) It memorizes display value at the moment of power OFF.
<p>FLK [FLK]</p>	<p>Flicker (Power RESET)</p> <ol style="list-style-type: none"> 1) Time starts when INA signal turns on. 2) When INA signal is ON: Power ON Time Start is operated. RESET OFF Time Start is operated. 3) Control output operates as retained output, output turns off for the T.off time and turns on for the T.on time repeatedly. $T_a + T_b = T.off$ setting time 4) The T.on time and T.off time must be set individually. 5) In case of using the contact output, min. setting time must be set over 100ms.



Output mode	Time chart
FLK.1 [F L E. 1]	Flicker 1 (Power RESET)
	Hold output
	<ol style="list-style-type: none"> 1) Time starts when INA signal turns on. 2) When INA signal is ON: Power ON Time Start is operated. RESET OFF Time Start is operated. 3) Control output operates as retained output. 4) In case of using the contact output, min. setting time must be set over 100ms.
	One-shot output
<ol style="list-style-type: none"> 1) Time starts when INA signal turns on. 2) When INA signal is ON: Power ON Time Start is operated. RESET OFF Time Start is operated. 3) Control output operates as one-shot output. 4) In case of using the contact output, min. setting time must be set over 100ms. 	

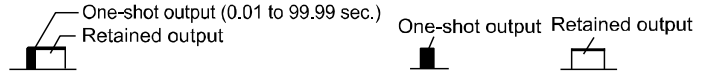


Output mode	Time chart
FLK.2 [FLK.2]	<p>Flicker 2 (Power Hold)</p> <p>Hold output</p>
	<ol style="list-style-type: none"> 1) Time starts when INA signal turns ON and the display value at the moment when power is off is memorized. 2) When INA signal is ON: Power ON Time Start is operated. RESET OFF Time Start is operated. 3) Control output operates as retained output. 4) Control output will be reversed when it reaches to setting time. (At the initial start, OUT2 control output is OFF). 5) In case of using the contact output, min. setting time must be set over 100ms.
	<p>One-shot output</p> <ol style="list-style-type: none"> 1) Time starts when INA signal turns ON and the display value at the moment when power is off is memorized. 2) When INA signal is ON: Power ON Time Start is operated. RESET OFF Time Start is operated. 3) Control output operates as one-shot output. 4) In case of using the contact output, min. setting time must be set over 100ms.

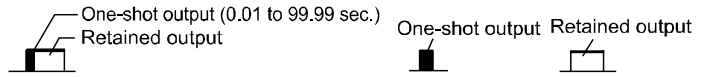


Note

- ※Power RESET: There is no memory protection. (resets the display value when power is off)
- ※Power Hold: There is memory protection. (memorizes the display value at the moment of power off, indicates the memorized display value when power is resupplied.)



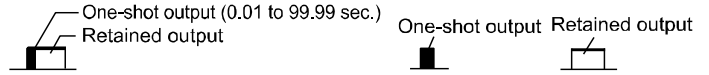
Output mode	Time chart
<p>INT [0.1]</p>	<p>Interval (Power RESET)</p> <ol style="list-style-type: none"> 1) Control output turns ON and time starts when INA signal turns ON. 2) When INA signal is OFF, time is reset. 3) When INA signal is ON: Power ON Time Start is operated. RESET OFF Time Start is operated. 4) When it reaches setting time, indication value and control output are reset automatically. 5) Control output is ON when time is progressing.
<p>INT.1 [0.1]</p>	<p>Interval 1 (Power RESET)</p> <ol style="list-style-type: none"> 1) Control output turns ON when INA signal turns ON. 2) When INA signal is ON: Power ON Time Start is operated. RESET OFF Time Start is operated. 3) When it reaches setting time, indication value and control output are reset automatically. 4) Control output is ON when time is progressing. 5) INA input is ignored while time is progressing.



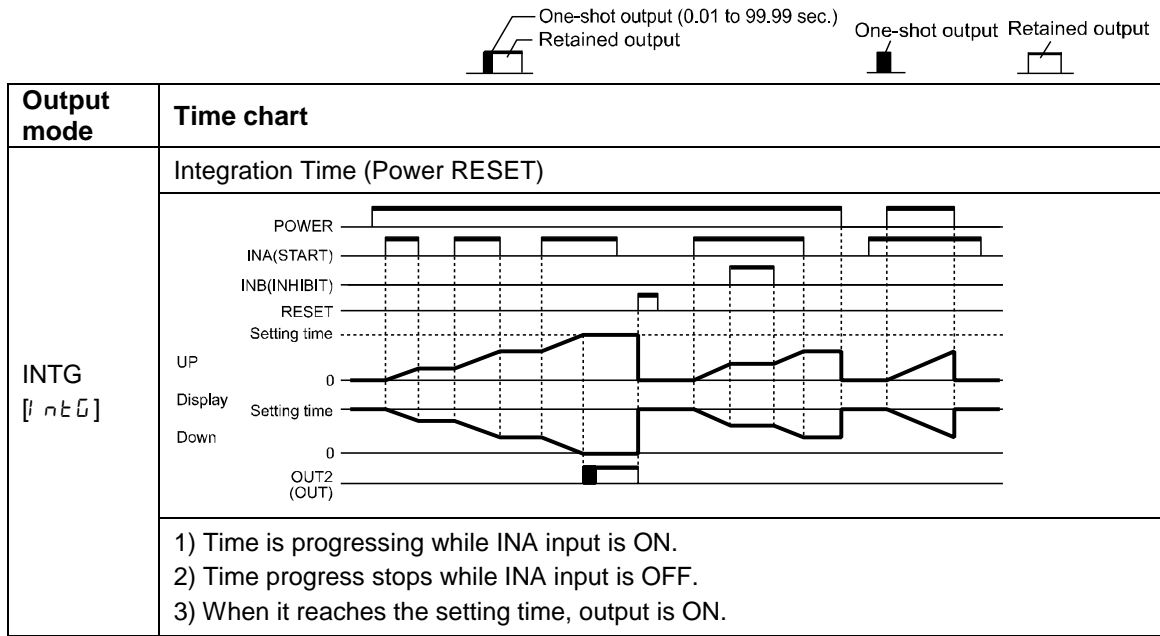
Output mode	Time chart
<p>INT.2 [i n t . 2]</p>	<p>Interval 2 (Power RESET)</p> <p>1) Time starts when INA input is ON and resets when INA input is OFF. 2) INA input is ON, OUT1 output is ON during T1 (hold) or t1. 3) When it reaches setting time1, display value resets and OUT2 output is ON during T2 (hold) or t2 output time.</p> <p>T1: Setting time1 T2: Setting time2 t1: One-shot1 t2: One-shot2</p> <p>(1-stage preset model has no INT.2 mode)</p> <p>※Output turns OFF when reaching the setting time even if one-shot time is longer than setting time.</p>
<p>OFD [o f d]</p>	<p>Signal Off Delay1 (Power RESET)</p> <p>1) If INA is ON, control output remains ON. (except when power is off and reset is on) 2) When INA signal is OFF, time processes. When it reaches setting time, indication value and control output are reset automatically.</p> <p>T: Setting time</p>

Note

- ※Power RESET: There is no memory protection. (resets the display value when power is off)
- ※Power Hold: There is memory protection. (memorizes the display value at the moment of power off, indicates the memorized display value when power is resupplied.)



Output mode	Time chart
<p>NFD [nFd]</p>	<p>On-Off Delay (Power RESET)</p> <ol style="list-style-type: none"> 1) When INA input is ON, output is ON and time is progressing, then output is OFF after On_Delay time. 2) When INA input is OFF, output is ON and time is progressing, then output is OFF after Off_Delay time. 3) If INA input is OFF within On_Delay time, step 2 starts again. 4) If INA input is ON within Off_Delay time, step 1 starts again.
<p>NFD.1 [nFd.1]</p>	<p>On-Off Delay1 (Power Hold)</p> <ol style="list-style-type: none"> 1) When INA input turns ON, time progresses and output turns ON after On_Delay time. 2) When INA input turns OFF, time progresses and output turns OFF after Off_Delay time. 3) If INA input turns OFF within On_Delay time, output will turn ON and step 2 operate. 4) If INA input turns ON within Off_Delay time, output will turn OFF and step 1 operate.

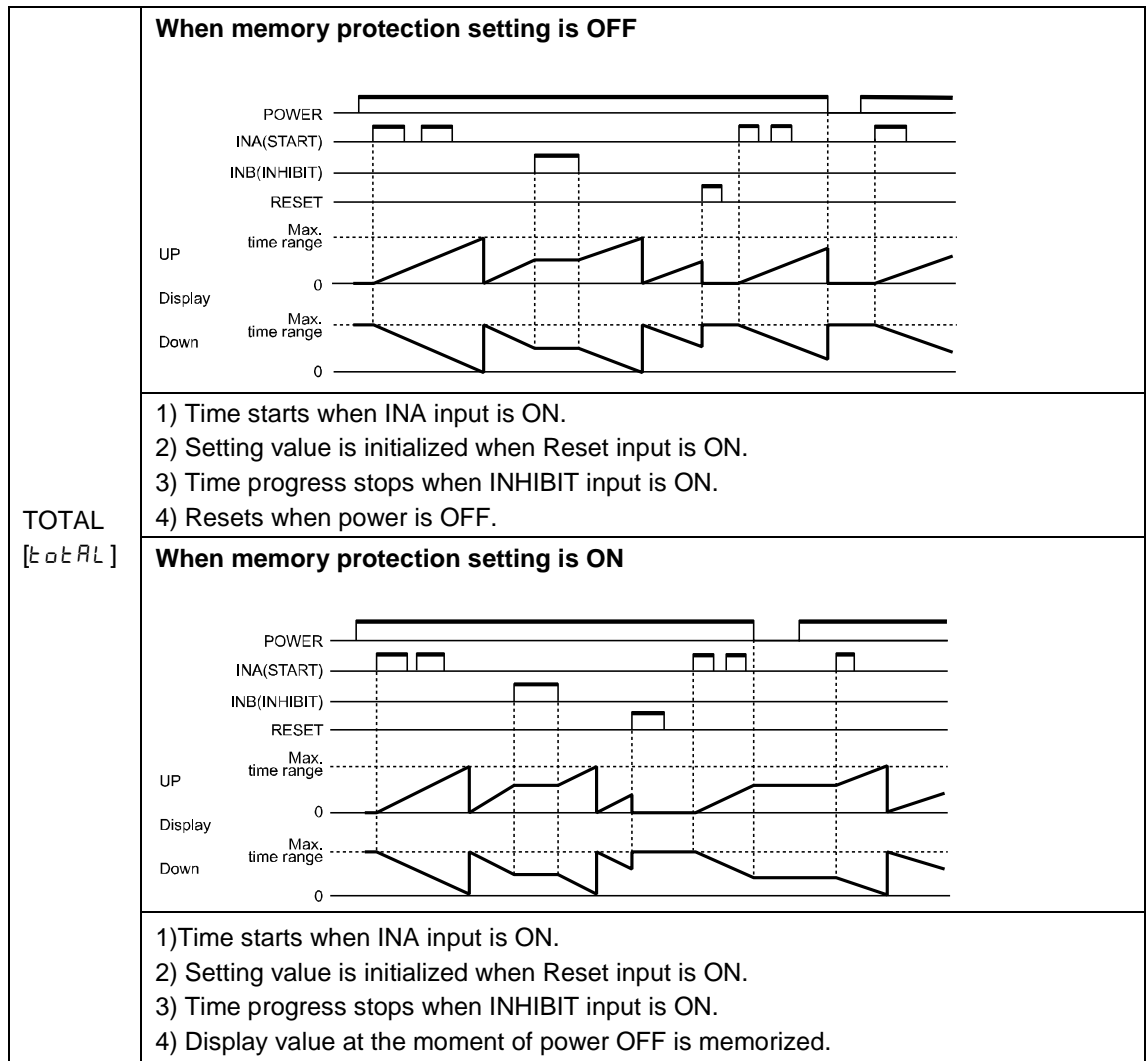


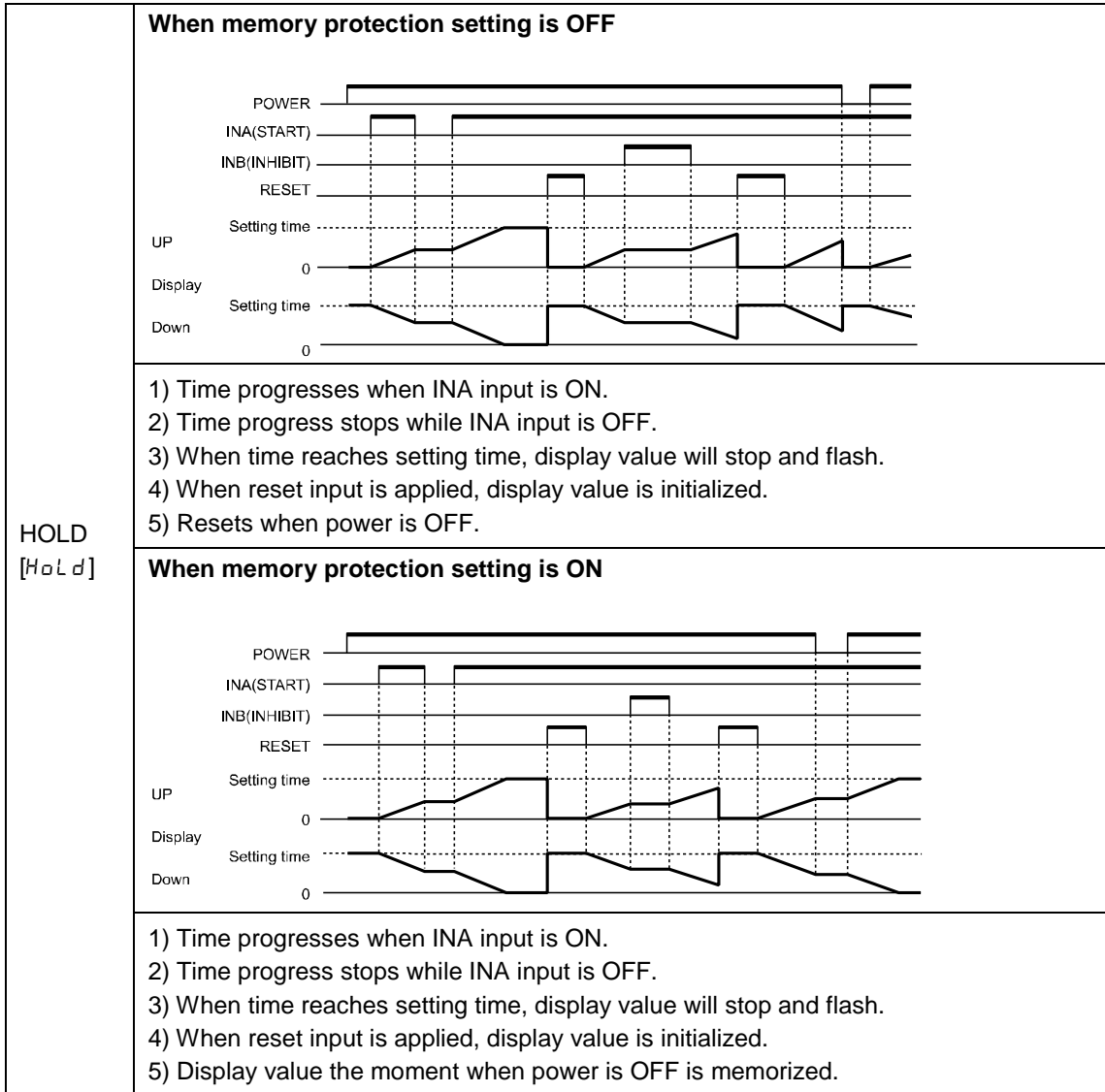
Note

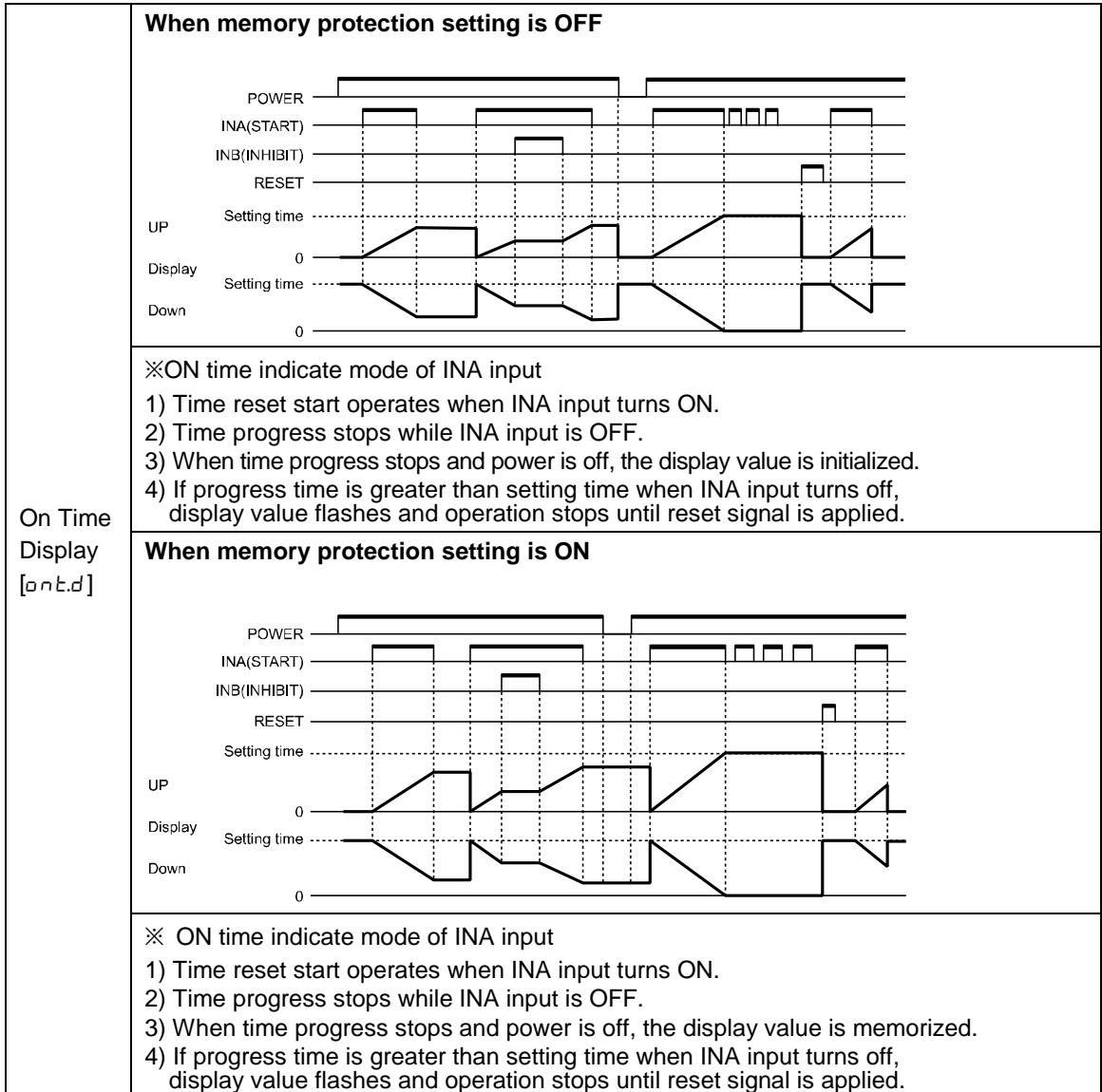
- ※Power RESET: There is no memory protection. (resets the display value when power is off)
- ※Power Hold: There is memory protection. (memorizes the display value at the moment of power off, indicates the memorized display value when power is resupplied.)

8.3 Timer operation for indicator model

※Only for indicator model.







Note

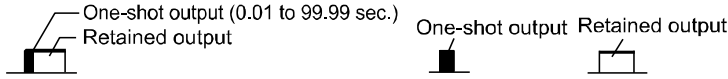
- ※TMR mark flashes during timer operating.
- ※TMR mark turn ON for timer stop or hold.
- ※The present value is zero blank format for highest unit.
 E.g.)In case of time range is 99m59.99s and the present value is 00m04.05s, zero blank is applied for the highest unit, minute. In case of the below digit of decimal point, zero blank is not applied. Therefore, it displays "0.0405".
- ※In case of timer, it is available for PRESET to set as '0' and the output operates.

8.4 Timer '0' Time Setting

8.4.1 Available output mode to set '0' time setting

ond, ond.1, ond.2, nFd, nFd.1

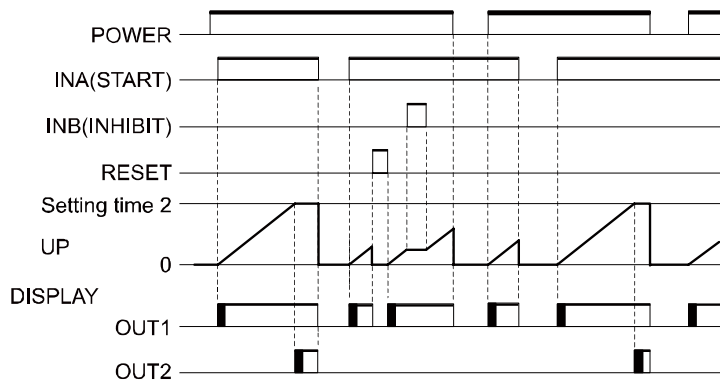
8.4.2 Operation by each output mode ('0' time setting)



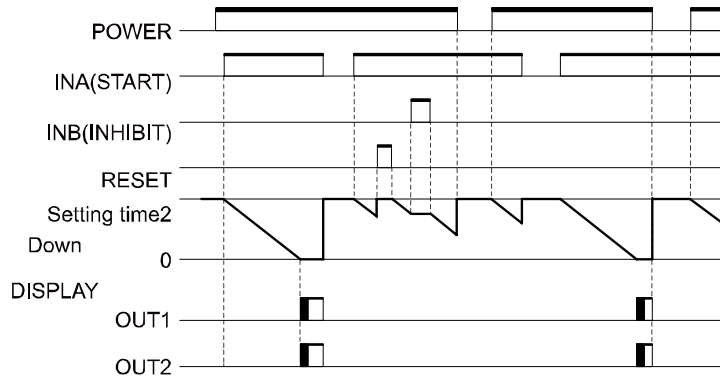
(1) OND (Signal ON Delay) mode [*ond*]

- Setting time 1 is set as '0'.

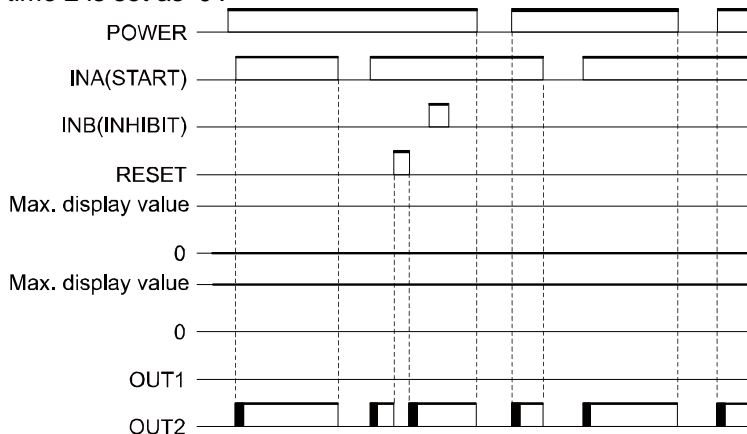
1) UP mode

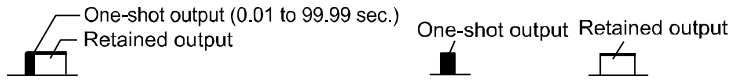


2) DOWN mode



- Setting time 2 is set as '0'.

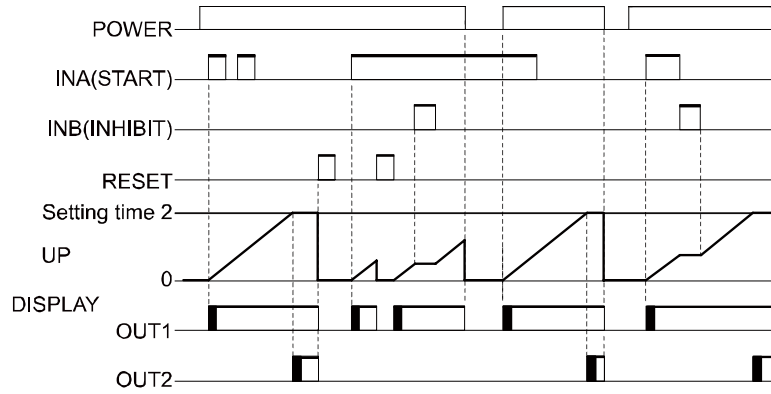




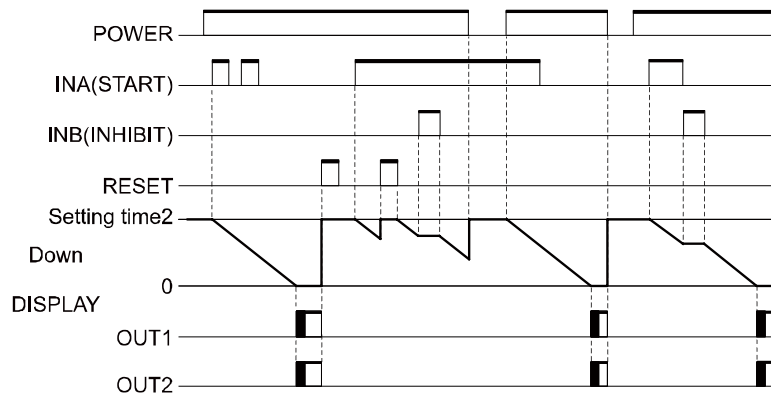
(2) OND.1 (Signal ON Delay 1) mode [ond.1]

- Setting time 1 is set as '0'.

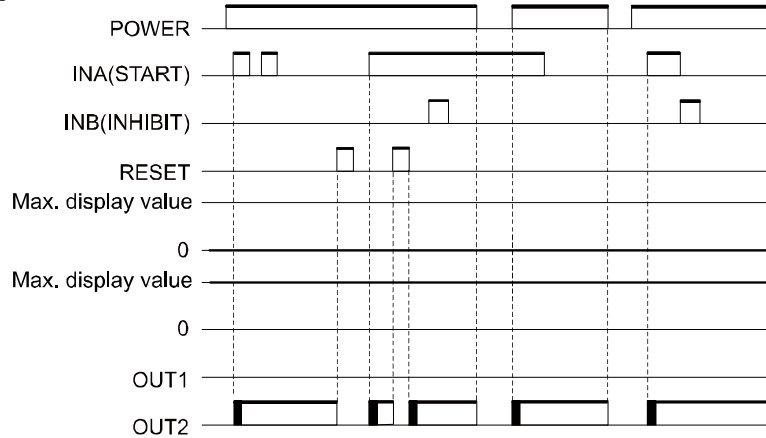
1) UP mode

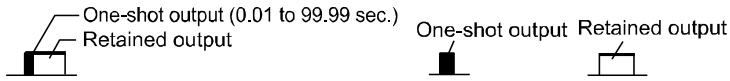


2) DOWN mode



- Setting time 2 is set as '0'.

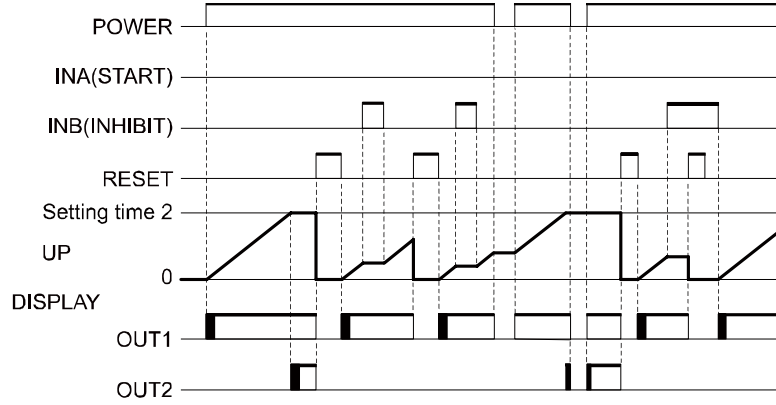




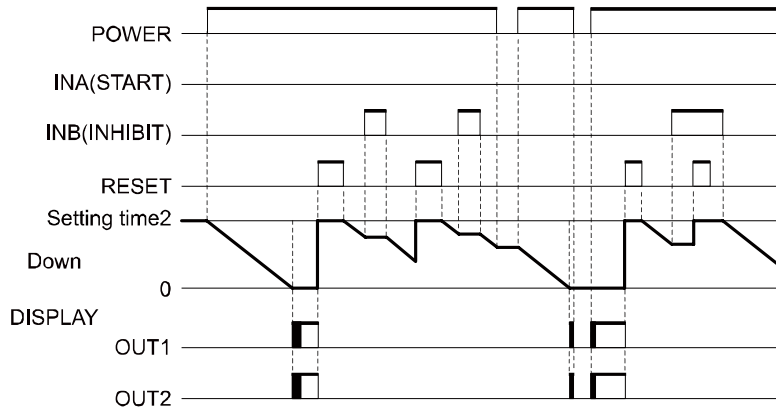
(3) OND.2 (Power ON Delay 2) mode [ond.2]

- Setting time 1 is set as '0'.

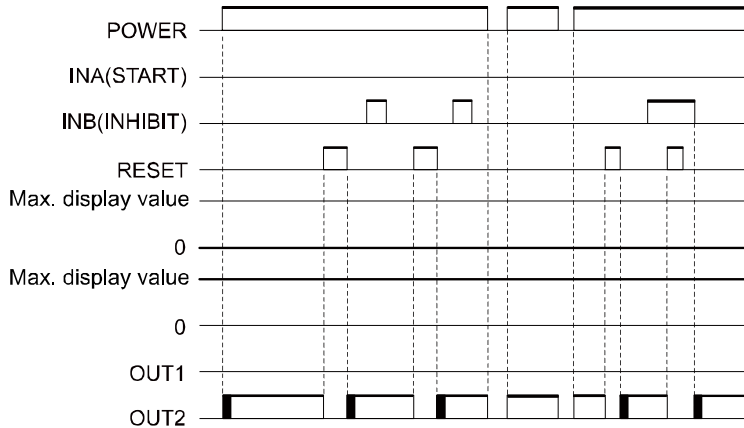
1) UP mode

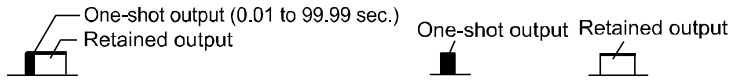


2) DOWN mode



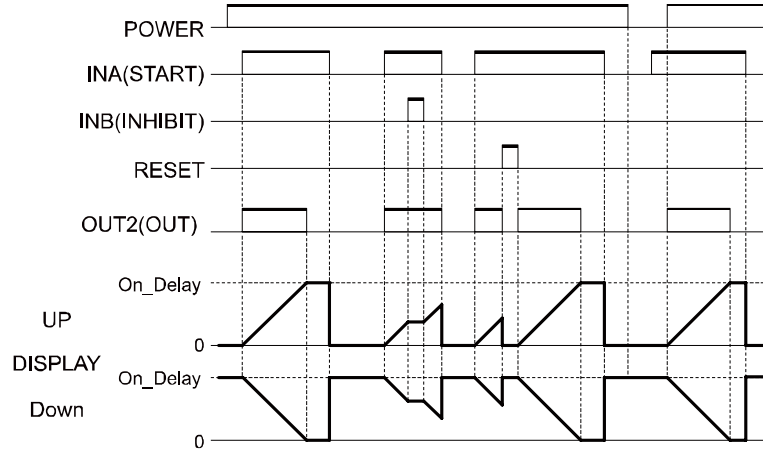
- Setting time 2 is set as '0'.



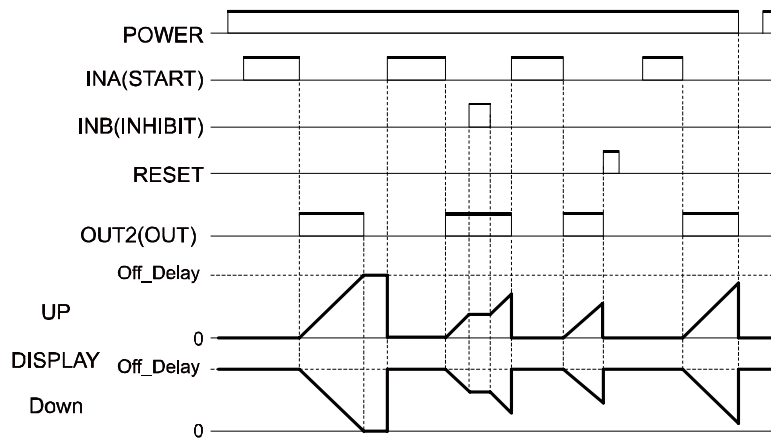


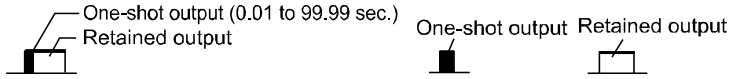
(4) NFD (ON-OFF Delay) mode [nFd]

1) Off_Delay setting time 1 is set as '0'.



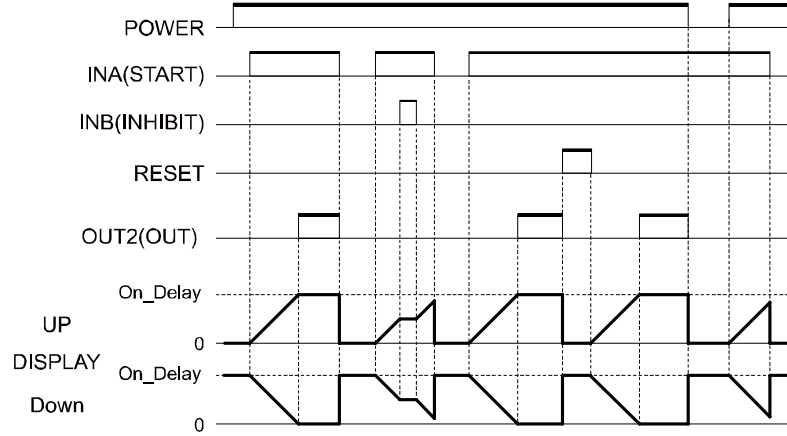
2) On_Delay setting time 1 is set as '0'.



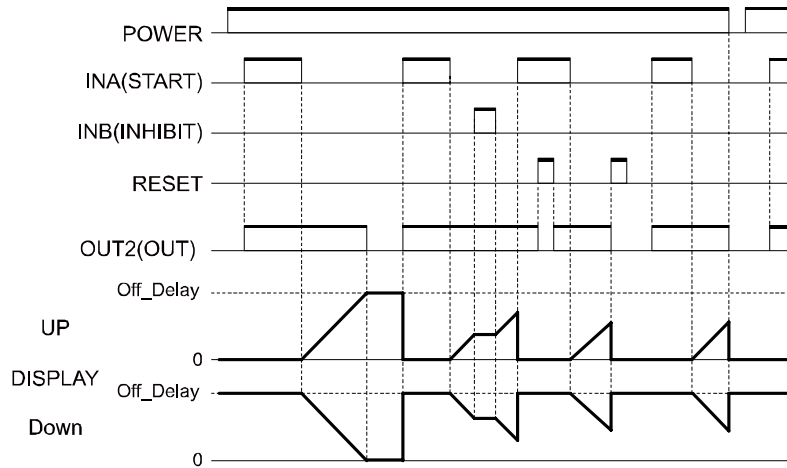


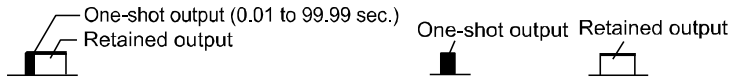
(5) OFD.1 (ON-OFF Delay 1) mode [nFd.1]

1) Off_Delay setting time 1 is set as '0'.



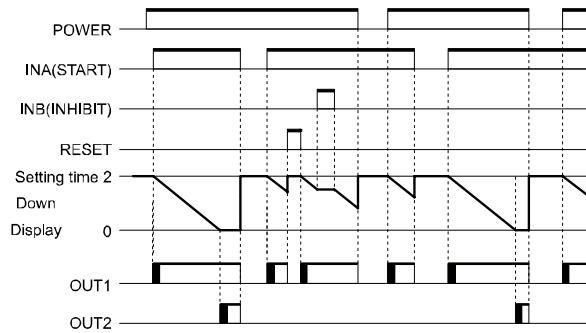
2) On_Delay setting time 1 is set as '0'.



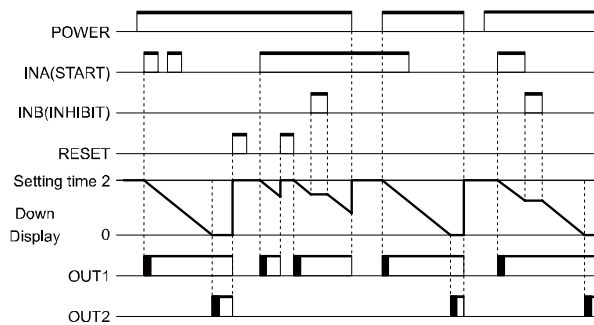


- (6) When setting value 1(PRESET 1) is greater than setting value 2(PRESET 2),
In case of OND[*ond*], OND.1[*ond.1*], OND.2[*ond.2*] output mode,
- UP mode: Timer setting value 1 (PRESET 1) is greater than setting value 2 (PRESET 2), OUT 1 output does not turn ON.
 - DOWN mode: Timer setting value 1 (PRESET 1) is greater than setting value2 (PRESET 2), OUT1 output does not turn ON. The setting value 1(PRESET 1) is same as setting value 2 (PRESET 2), OUT1 output turns ON immediately when applied start signal.

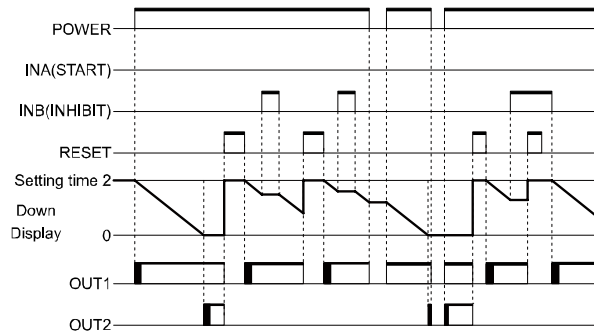
1) *ond* (Signal On Delay) output mode



2) *ond.1* (Signal ON Delay 1) output mode






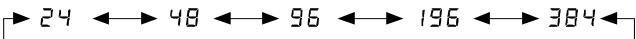
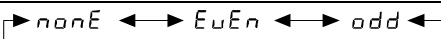


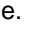
3) *ond.2* (Signal On Delay 2) output mode



9 Communication

9.1 Parameter Setting (Counter/Timer)

( key: moves parameters, ,  key: changes parameter setting value)

Parameter	Parameter setting value
Communication address [Addr]	※  key: To shift flashing digits of comm. address. ※  ,  key: To change the flashing digits. ※If the same address is applied during multiComm., it will not work correctly. ※Setting range of Comm. address: 1 to 127
Communication speed [bPS]	 ※Multiply 100 to read the setting value.
Communication parity bit [Prty]	 ※nonE: none, EvEn: even, odd: odd
Communication stop bit [StP]	1 ↔ 2
Communication response waiting time [RSt]	※  key: To shift flashing digits position of comm. response waiting time. ※  ,  key: To change the flashing digits position value. ※For more information the setting range according to comm. speed, refer to the 9.1.5 Communication response waiting time [RSwT].
Communication write [EnW]	EnA ↔ diSA ※EnA: Permits comm. write (enable), diSA: Prohinitis comm. write (disable)



Note




- ※Communication parameters area are read coil status, read input register, read holding register.
- ※The operation in RUN mode does not stop during all area register read action and setting value saving group write action of Read Holding Register.
- ※When changing counter/timer parameters of read holding register area, RESET starts.
- ※When changing communication parameters via communication, it does not reset.
Communicate starts when response about the dedicated query is completed by applying the changed data.
- ※No communication models does not enter parameter 2 group.

9.1.1 Communication address [Addr]

When communicating with upper host, set the address to designate each unit by upper host.

When communicating with multi units with same address, it does not operate normally.

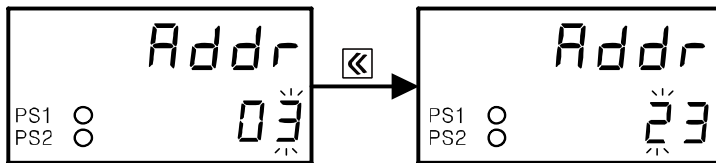
Setting range of communication address is 1 to 127.



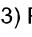
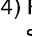
-  key: To shift flashing digits of comm. address.
- ,  key: To change the flashing digits.



Ex.

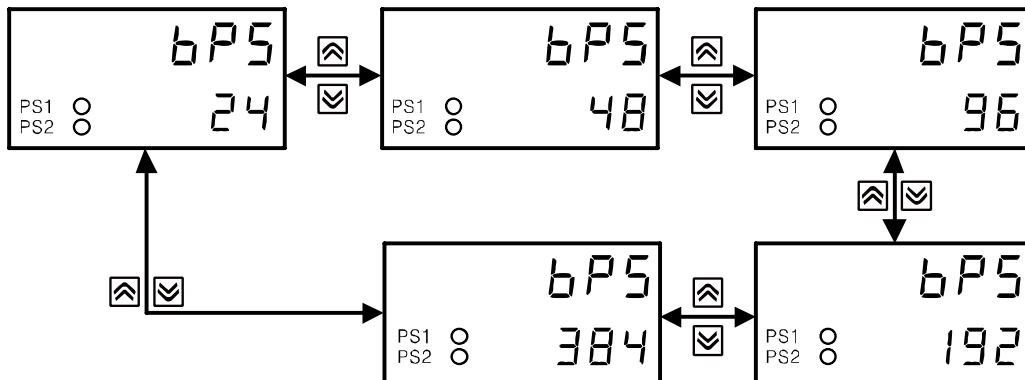
When communication address is set as 23,



- 1) Press the  key three times for 3.
- 2) Press the  key one time and it moves the digit to 10.
- 3) Press the  key two times for 2.
- 4) Press the  key to save the setting value and moves to the next parameter setting.

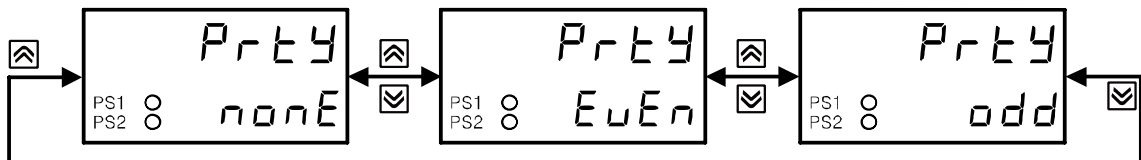
9.1.2 Communication speed [bPS]

When communicating with upper host PC, set the communication speed.



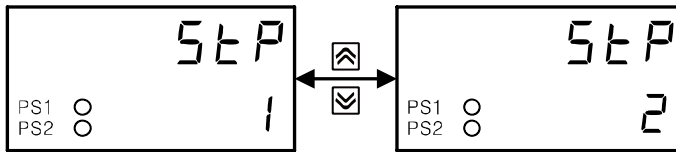
9.1.3 Communication parity bit [Prty]

Set communication parity bit as none [nonE], even [EuEn], or odd [odd].



9.1.4 Communication Stop bit[STEP]

Set communication stop bit as 1 or 2.



9.1.5 Communication response waiting time [r54t]

Set communication response waiting time as 5 to 99ms.

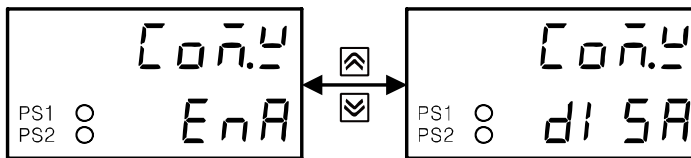
It is available to set according to communication speed..

- key: To shift flashing digits position of communication response waiting time.
- , key: To change the flashing digits position value.



Ex.

When communication response waiting time is set as 15ms,



- 1) Press the key five times for 5.
- 2) Press the key one time and it moves the digit to 10.
- 3) Press the key one time for 1.
- 4) Press the key to save the setting value and moves to the next parameter setting.

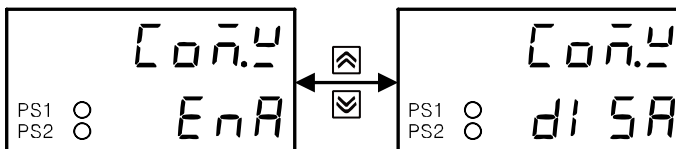
※Setting range by communication speed

Communication speed [bps]	Setting range [ms]
2400	16 to 99
4800	8 to 99
9600	5 to 99
19200	5 to 99
38400	5 to 99

9.1.6 Communication write [Coñ.4]

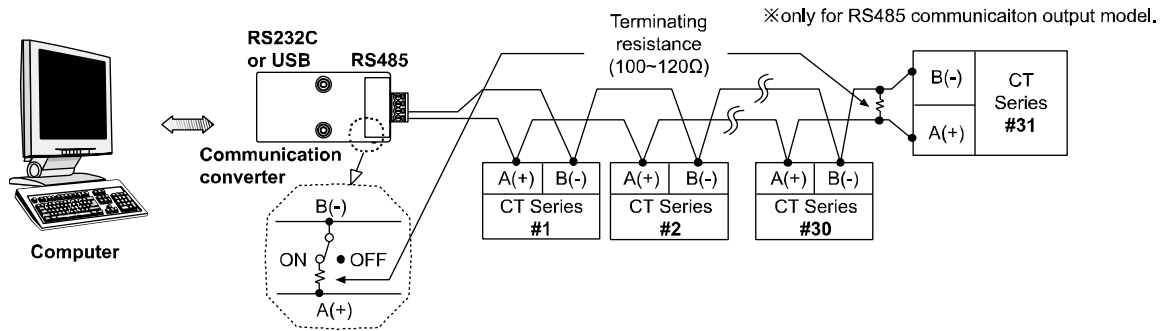
Enables/Disables communication write from host (PC etc).

Loading via communication is available regardless of communication write setting.



- ※EnA: Permits communication write (enable)
- di 5A: Prohibits communication write (disable)

9.1.7 Application of system organization



It is recommended to use communication converter, RS485 to Serial converter (SCM-38I, sold separately), USB to RS485 converter (SCM-US48I, sold separately). Please use a proper twist pair for RS485 communication.

9.2 Software (Comprehensive Device Management Program: DAQMaster)

DAQMaster is comprehensive device management program for convenient management of parameters and multiple device data monitoring.

Visit our website (www.autonics.com) to download user manual and comprehensive device management program.

Item	Minimum requirements
System	IBM PC compatible computer with Intel Pentium III or above
Operations	Microsoft Windows 98/NT/XP/Vista/7/8/10
Memory	256MB+
Hard disk	1GB+ of available hard disk space
VGA	Resolution: 1024x768 or higher
Others	RS-232C serial port (9-pin), USB port

9.3 Parameter value read/write via communication

(1) Parameter area for reading available only

- 000002 (OUT2), 000003 (OUT1), 000004 (BATCH output)
- 100001 to 100005 (Terminal input status)
- 300101 to 300125 (Product information)
- 310001 to 310013 (Monitoring data)

(2) Parameter area for reading/writing available

- 000001 (RESET), 000005 (BATCH RESET)
- 400001 to 400006 (Setting value saving group)
- 400051 to 400066 (Counter group)
- 400101 to 400110 (Timer group)
- 400151 to 400156 (Communication group)

(3) Communication reading action

Reads parameter values via communication. (Func: 01 H, 02 H, 03 H, 04 H)

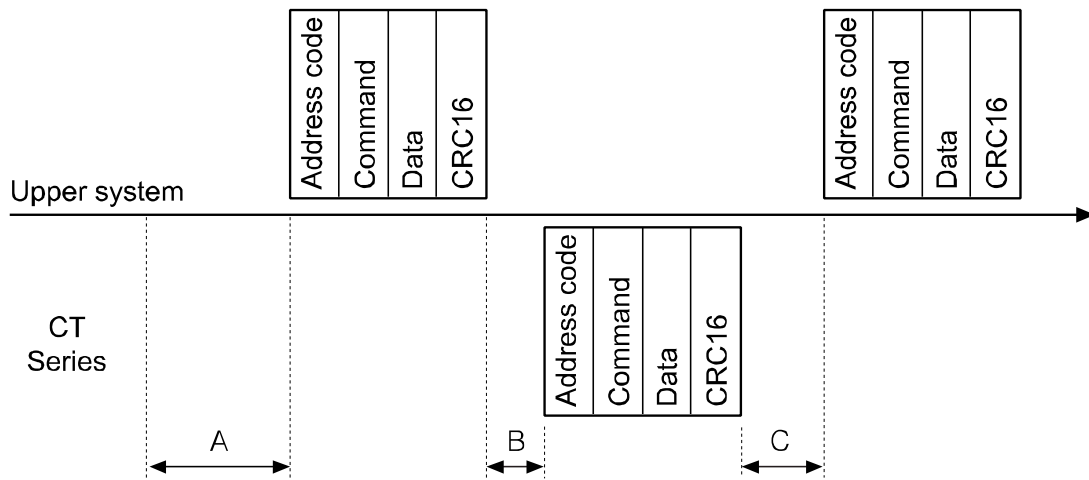
Communication reading is available regardless of communication write [\bar{C} 0 \bar{n} . \bar{L}] enable/disable setting.

(4) Communication writing action

Changes parameter values via communication. (Func: 05 H, 06 H, 16 H)

- When changing counter or timer parameters using Func06 H, Func16 H, communication RESET flashes for 3 sec at the front and RESET starts. The setting values about counter/timer is changed and RESET starts automatically and the present value is not saved.
- When changing setting value or communication setting parameters using Func06 H, Func16 H, the action is not reset.
- To write action using Func05 H at Modbus RTU protocol, enter 1 as FF00 H.
- When 00001 is set as FF00 H using Func05 H, RESET starts immediately.
- When 00005 is set as FF00 H using Func05 H, BATCH RESET starts immediately.
- When communication write is set as disable(\bar{C} 0 \bar{n} . \bar{L} = 1), it does not execute write action.
- When setting value is out of the range, the dedicated value by operation mode is replaced and saved.

9.4 Communication control ordering



※A: Min. 1s sfter applying power

B: 38400bps: Approx. 1ms

19200bps: Approx. 2ms

9600bps: Approx. 4ms

4800bps: Approx. 8ms

2400bps: Approx. 16ms

C: Min. 20ms

1. The communication method is Modbus RTU (PI-MBUS-300-REV.J).
2. After 1 sec of power supply into the high order system, it starts to communicate.
3. Initial communication will be started by the high order system. When a command comes out from the high order system, CT Series will respond.

10 Factory Default

10.1 Common

Parameter	Factory default
<i>LoFF</i>	<i>LoFF</i>
PRESET1	1000
PRESET2	5000

10.2 Counter

Parameter	Factory default	
<i>in</i>	<i>Ud-C</i>	
<i>outn</i>	<i>F</i>	
<i>dSPn</i>	<i>toRAL</i>	
<i>CP5</i>	30	
<i>out2 [outt]</i>	<i>Hold (fixed)</i>	
<i>out 1</i>	00.10	
<i>dP</i>	-----	
<i>rSt</i>	20	
<i>SiG</i>	<i>nPn</i>	
<i>SC.dP</i>	6-digit model	-.-----
	4-digit model	-.----
<i>SC.L</i>	6-digit model	1.000000
	4-digit model	1.0000
<i>Stret</i>	0000000	
<i>dARA</i>	<i>CLr</i>	

10.3 Timer

Parameter		Factory default
<i>Hour/min/SEC</i>	6-digit model	<i>0.00 1s-999.999s</i>
	4-digit model	<i>0.00 1s-9.999s</i>
<i>U-d</i>		<i>UP</i>
<i>dSP.n</i>		<i>total</i>
<i>dRtR</i>		<i>Clr</i>
<i>oUt.n</i>		<i>ond</i>
<i>oUt2[oUt.t]</i>		<i>Hold</i>
<i>oUt 1</i>		<i>00.10</i>
<i>Sl G</i>		<i>nPn</i>
<i>Int</i>		<i>20</i>

10.4 Communication

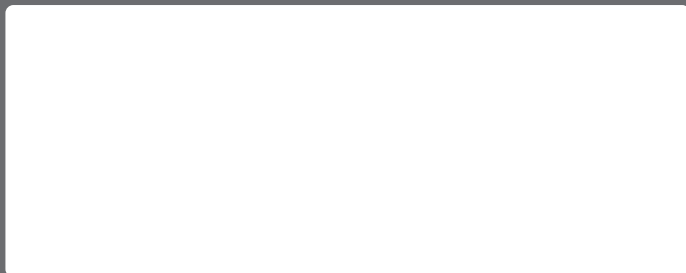
Parameter	Factory default
<i>Addr</i>	<i>01</i>
<i>bPS</i>	<i>96</i>
<i>PrtY</i>	<i>nonE</i>
<i>StP</i>	<i>2</i>
<i>rSYt</i>	<i>20</i>
<i>Co.nY</i>	<i>EnA</i>

Autonics

Sensors & Controllers

www.autonics.com

Distributor



Major Products

•Photoelectric Sensors-Fiber Optic Sensors-Door Sensors-Door Side Sensors-Area Sensors
•Proximity Sensors-Pressure Sensors-Connectors/sockets-Rotary Encoders-Panel Meters
•Counters-Timers-Temperature Controllers-SSRs/Power Controllers-Sensor Controllers
•Graphic/Logic Panels-Temperature/Humidity Transducers-Switching Mode Power Supplies
•Stepper Motors/Drivers/Motion Controllers/I/O Terminal Blocks & Cables-Display Units
•Control Switches/Lamps/Buzzers-Field Network Devices-Tachometer/Pulse(Rate) Meters
•Laser Marking System(Fiber, CO₂, Nd:YAG)-Laser Welding/Cutting System

■ Any proposal for a product improvement and development: Product@autonics.com

Corporate Headquarters

18 Bansong-ro, 513 Beon-gil, Haeundae-gu, Busan, South Korea 48002
Tel: 82-51-519-3232

■ **Brazil – Autonics do Brasil Comercial Importadora Exportadora Ltda**
Tel: 55-11-2307-8480 / Fax: 55-11-2309-7784 / E-mail: comercial@autonics.com.br

■ **China – Autonics electronic(Jiaxing) Corporation**
Tel: 86-21-5422-5969 / Fax: 86-21-5422-5961 / E-mail: china@autonics.com

■ **India – Autonics Automation India Private Limited**
Tel: 91-22-2781-4305 / Fax: 91-22-2781-4518 / E-mail: india@autonics.com

■ **Indonesia – PT. Autonics Indonesia**
Tel: 62-21-8088-8814/5 / Fax: 62-21-8088-4442(4440) / E-mail: indonesia@autonics.com

■ **Japan – Autonics Japan Corporation**
Tel: 81-3-3950-3111 / Fax: 81-3-3950-3191 / E-mail: ja@autonics.com

■ **Malaysia – Mal-Autonics Sensor Sdn. Bhd.**
Tel: 60-3-7805-7190 / Fax: 60-3-7805-7193 / E-mail: malaysia@autonics.com

■ **Mexico – Autonics Mexico S.A. DE C.V**
Tel: 52-55-5207-0019 / Fax: 52-55-1663-0712 / E-mail: ventas@autonics.com

■ **Russia – Autonics Corp. Russia Representative Office**
Tel/Fax: 7-495-660-10-88 / E-mail: russia@autonics.com

■ **Turkey – Autonics Otomasyon Ticaret Ltd. Sti.**
Tel: 90-216-365-9117/3/4 / Fax: 90-216-365-9112 / E-mail: turkey@autonics.com

■ **USA – Autonics USA, Inc.**
Tel: 1-847-680-8160 / Fax: 1-847-680-8155 / E-mail: sales@autonicsusa.net

■ **Vietnam – Cong Ty TNHH Autonics Vina**
Tel: 84-8-3771-2662 / Fax: 84-8-3771-2663 / E-mail: vietnam@autonics.com