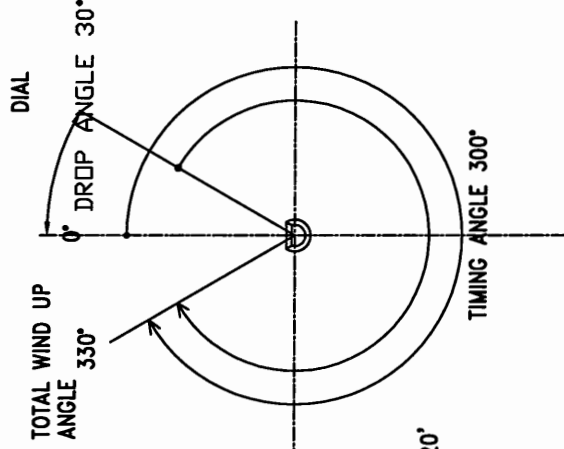
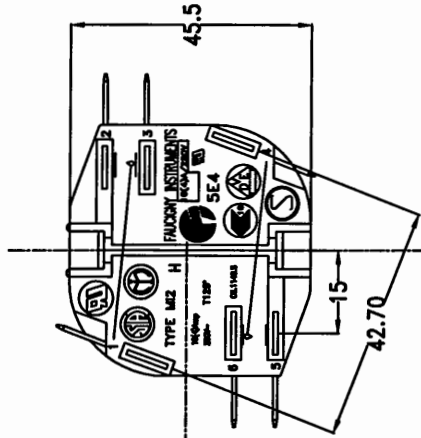
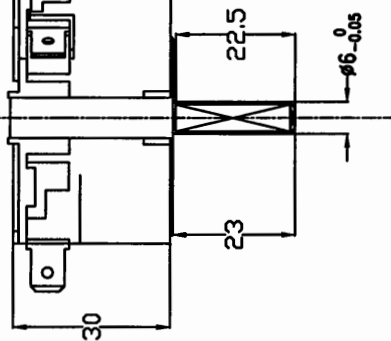


2 HOLES M4

6 TERMINALS Tab 6.35x0.8



CIRCUIT	0	C30	120°	30°	330°
1-2	█				
1-3					
4-6					
4-5					

120° / 300°

CHARACTERISTICS

ELECTRICAL CHARACTERISTICS

standard switch : CEE 24
 Rated amperage : 16(4) A
 Rated voltage : 250 V
 Type of current : Vac
 Switch configuration: DPDT
 Switch for appliance classe II
 Number of electrical operations : 10 000
 connections terminal : 6.35 x 0.8

MECHANICAL CHARACTERISTICS

Winding torque : 1.5 to 4.5 Kg.cm
 Return torque to zero position: 1 to 4.5 Kg.cm
 timing : 120 min
 timing range : ±5%
 Residual operating torque : 0.1 Kg.cm
 Torque of manual position : /

THERMAL CHARACTERISTICS

Maximum temperature of use : 125° C

MARKING ON BACK CASE

Type MI2
 T= 125°C
 Identification of terminals

APPROVALS

UL- SEMKO- ENEC10 VDE- CSA- IMQ
 16A 250V AC RESISTIVE
 4A 250V AC INDUCTIVE

MARKING

Label of the timer : 4 numbers
 week of production : 2 numbers
 Year of production : 2 numbers

CUSTOMER : OEM AUTOMATIC SP

CUSTOMER PART NUMBER : MI2R206 2H

COLOR: BLACK

WEIGHT BY 1000

USE: /

SETS MI2

MI2/120/300/330/14400L/C30/AM000/23/22.5/6MT4.6

2096



DRAWN BY : MARTINEI.C DATE: 10/11/09 SCALE: 1/1

FAUCIGNY INSTRUMENTS