

ES-246 ETHERNET TO SERIAL DEVICE SERVER

Ethernet 1 Port RS232

CONNECT, CONFIGURE, CONTROL YOUR SERIAL DEVICES

Features

- 1 port RS232
- Max baud rate 1,000,000 1 MegaBaud
- 10/100Base TX Ethernet port
- User friendly interface, simple to use, powerful in operation
- Web configuration and RFC2217 compliant interface for non-Windows users
- IP-30 rated enclosure
- LED status indication
- Optional DIN rail mounting kit
- Serial Port Tunneling (individually configurable) allows serial cable replacement over any distance, no software required
- Power supply included (power input 5-30V DC)
- Simple operation for each and every operating system!



Description

Ethernet to Serial device server providing access to one RS232 serial port. Data transfer rates up to 1,000,000 baud, coupled with 1Mbit/s line drivers deliver uncompromising performance. Our ES range provides simple instant networked serial ports. A web interface allows secure configuration and control of the serial ports over a local network or the internet using any browser. For Windows our in-house designed 32 bit and 64 bit driver gives you local COM ports, retaining existing software applications and allowing you to connect across your network to remote devices just as if they were attached locally. Serial Port Tunneling individually configurable allows serial cable replacement over any distance, no software required. You can access the device via TCP/IP sockets from any networked device like an Android tablet, PC or phone. On Windows OS TCP/IP sockets are handled by the Winsock API, this will differ on other OSs.

Windows Users - Our software drivers gives you local COM ports, allowing you to retain your existing software applications and connect to your devices over the network. COM Port can be assigned from COM1 to COM255 and the Brainboxes Ethernet to serial device remembers your COM Port assignment on reboots.

Web Interface Users (Linux/Apple OS/Android) - Alternatively access the device via TCP/IP socket from any networked device. Configure options via web interface.

Extend your reach! Remote serial devices with local control. With Brainboxes industry renowned Lifetime Warranty and Lifetime Support!

Example Application



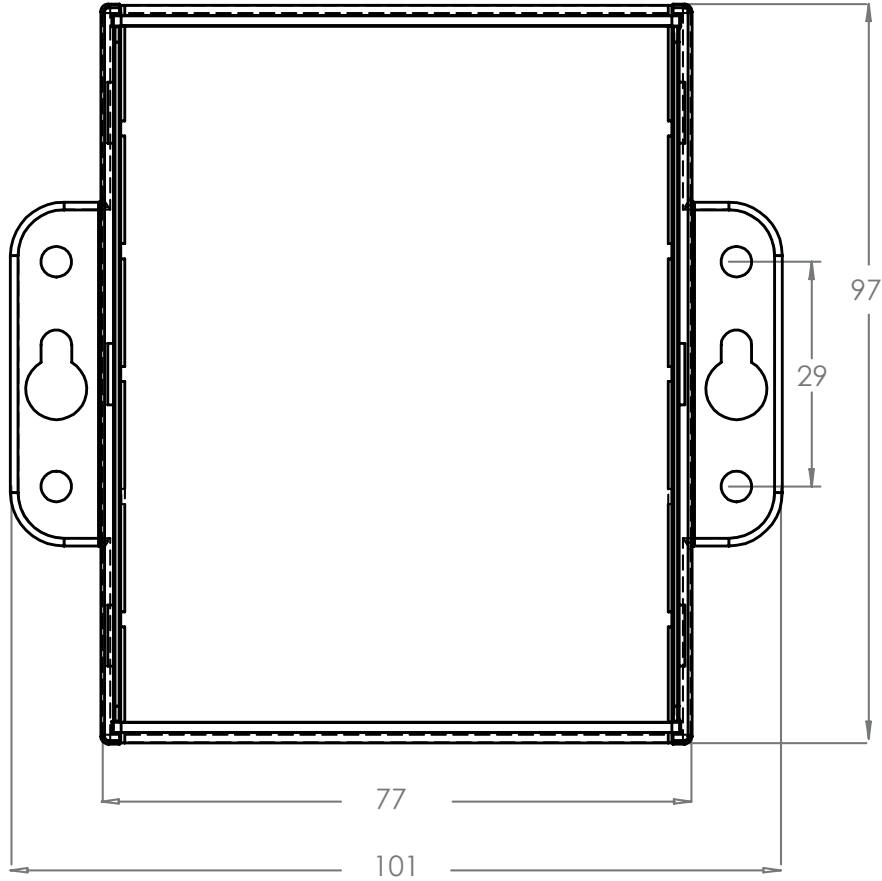
Industrial PC

WWW

ES-246

CNC Machine(s)

Box Information



LED Information

Status LED

| | |
|-------------------------------------|----------------------------|
| Green | Device Ready |
| Flashing Yellow | Changing Settings |
| Flashing between Red & Green | Querying IP |
| Flashing Green/Red | User performing Hard Reset |
| Flashing between Green & Red/Yellow | IP address diagnostic |
| Flashing between Green & Yellow | Initialization diagnostic |

Serial Port LEDs

| | |
|----------------|--------------|
| Green light on | Port Open |
| Flashing Green | Data RX / TX |

Network LED

| | |
|----------------|------------------|
| Green light on | Link Established |
| Flashing Green | Data RX / TX |

Port

| | |
|-------------------|--|
| Ports | 1 port RS232 |
| Connector | DB9 Connector - 9 Pin Male |
| Power Input | 5 - 30V DC input, reverse polarity protected |
| Power Consumption | 0.76W Typical |

Port Settings - RS232

| | |
|---------------------|---------------------------------|
| Baud Rate | From 110 - 1,000,000 1 MegaBaud |
| Data Bits | 5,6,7 or 8 |
| Parity | Odd, Even, None, Mark or Space |
| Stop Bits | 1 or 2 |
| Flow Control | RTS/CTS, DSR/DTR, XON/XOFF |
| Tx/Rx Modes | Point to Point |

Port Settings - Ethernet

| | |
|------------------|---|
| Data Rate | 10/100 Mega bits/second |
| Cabling | Normal / Crossover auto-sensing (Auto-MDIX) |

Environmental

| | |
|----------------------------------|---------------------------|
| Operating Temperature | 0 to 55°C |
| Storage Temperature | -20 to 85°C |
| Ambient Relative Humidity | 5 to 95% (non-condensing) |
| Housing | IP-30 rated case |

Software

| | |
|-------------------------------|---|
| Network Protocols | ICMP, IP, TCP, UDP, DHCP, BOOTP, Telnet, HTTP, RFC2217 |
| Data Transfer Protocol | TCP |
| Configuration Options | Windows Utility, Web Interface |
| OS Compatibility | Microsoft Windows 8 32 bit 64 bit Editions / Microsoft Windows 7 32 bit 64 bit Editions / Windows Server 2008 32 bit 64 bit Editions / Windows Vista 32 bit 64 bit Editions / Windows Server 2003 32 bit 64 bit Editions / Windows XP 32 bit 64 bit Editions / Fully RFC2217 compliant / Interface for other OS's & Linux |

Approvals

| | |
|---------------------------------|---|
| Industry Approvals | AEO C-TPAT Microsoft Certified Gold Partner WEEE RoHS EMC: CE TAA |
| Microsoft Approvals | Microsoft Certified Gold Partner |
| Microsoft Signed Drivers | Windows 7 32 bit 64 bit Editions |



GB AEOF 00031/11



Packing Information

| | |
|------------------------|--|
| Packaging | Quick Start Guide, Country Specific Power Supply, Installation CD including manual, Microsoft signed drivers & utilities |
| Device | Ethernet 1 Port RS232 |
| Accessory Items | Global Power Supply - PW-800 (included), DIN-Rail Mounting Kit - MK-048 |
| Packaged Weight | 0.451 kg, 15.91 ounces |
| Packaged Dims | 200x135x80 mm, 7.9x5.3x3.1 inches |

Product Support

| | |
|-----------------|---|
| Warranty | Lifetime - online registration required |
| Support | Lifetime Web, Email and Phone Support from fully qualified, friendly staff who work in and alongside the Product Development Team |

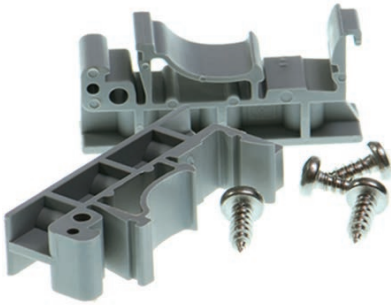


Additional Information

| | |
|---------------------|---|
| OEM option | Available for bulk buy OEM |
| Made In | Manufactured in the UK by Brainboxes Winner 2005 European Electronics Industry Awards 'Manufacturer of the Year' |
| Customisable | Brainboxes operate a 'Perfect Fit Custom Design' policy for volume users. More info: sales@brainboxes.com |

Accessory Items

ORDER CODE - DIN-Rail Mounting Kit - MK-048



ORDER CODE - Additional Global Power Supply - PW-800

