

ADAM-4510I Robust Isolated RS-422/485 Repeater

ADAM-4520I Robust Isolated RS-232 to RS-422/485 Converter

Packing List

Before you begin installing your module, please make sure that the following materials have been shipped:

- 1 x ADAM-4510I or ADAM-4520I
- 1 x DIN-rail mounting bracket (attached)
- 1 x ADAM-4510I/4520I Startup Manual
- 1 x Panel mounting bracket

If any of these items are missing/damaged, contact your distributor or sales representative immediately.

CE/FCC Certification

ADAM-4510I and ADAM-4520I developed by Advantech Co., Ltd. has passed the CE and FCC test for environmental specifications. The test conditions for passing including the equipment being operated within an industrial enclosure. Therefore, in order to protect the ADAM module from being damaged by ESD, we strongly recommend that the use of CE-compliant industrial enclosure products.

Overview

Most industrial computer systems come with RS-232 serial ports. Though widely accepted, RS-232 has limited transmission speed, range and networking capabilities. RS-422 and RS-485 standards overcome these limitations by using differential voltage lines for data and control signals.

ADAM-4520I is isolated converter for systems originally equipped with RS-232. It transparently converts RS-232 signals into isolated RS-422 or RS-485 signals. You don't need to change your PC's hardware or your software. The ADAM-4520I lets you easily build an industrial grade, long distance communication system with standard PC hardware.

The ADAM-4510I repeaters simply amplify, or boost, existing RS-485 signals to enable them to cover longer distances. They extend the communication distance by 4000 ft (1200 m) or extend the number of connected nodes by 32.

Notes

For more information on this and other Advantech products, please visit our websites at:

<http://www.advantech.com>

<http://www.advantech.com/eAutomation>

For technical support and service:

<http://www.advantech.com.tw/eservice>

This manual is for ADAM-4510I and ADAM-4520I.

Part No: 2003451010 (1st Ed) May 2006

Industrial Design

Intelligent RS-485 Control

The RS-485 standard supports half-duplex communication. This means that just two wires are needed to both transmit and receive data. Handshaking signals (such as RTS, Request to Send) are normally used to control the direction of the data flow. A special I/O circuit in ADAM-4510I and ADAM-4520I automatically senses the direction of the data flow and switches the transmission direction. No handshaking signals are necessary. So you can build an RS-485 network with just two wires. This RS-485 control is completely transparent to the user. Software written for half-duplex RS-232 can work without modification.

Isolation

ADAM-4510I and ADAM-4520I's opto-isolators provide 3000 VDC isolation to protect the host computer from ground loops and destructive voltage spikes on the RS-485 data lines.

Surge Protection

ADAM-4510I and 4520I offer internal surge protection on their data lines. Internal high speed transient suppressors on each data line protect the modules from dangerous voltages levels or spikes.

Tough Industrial Design

You can power ADAM-4510I and ADAM-4520I with any unregulated power source between +10 and +48 VDC. Their industrial-grade plastic shells can be mounted on a DIN-rail, panel or in a piggy-backed stack. You make signal connections through plug-in screw terminal blocks, guaranteeing easy installation, maintenance and modification.

Features

- Automatic internal RS-485 bus supervision
- No external flow control signals required for RS-485
- Minimum 3000 VDC isolation
- Transient suppression on RS-485 data lines
- Baud rate up to 115.2 kbps
- Networking up to 4000 feet (1200 m)
- Reserved space for termination resistors
- Power and data flow indicator for troubleshooting
- Power requirement: +10 to +48 VDC
- Mounts easily on DIN-rail or panel

Specifications

Common

- **Power Requirement:** Unregulated +10 to +48 VDC with protection from power reversals
- **Case:** ABS+PC with captive mounting hardware
- **Accessories (Supplied):** DIN-rail Mounting Adapter, Panel Mounting Bracket
- **Plug-in Screw Terminal Wiring:** Accepts AWG 1-#12 to #22 (0.5 to 2.5 mm) wires
- **Operating Temperature:** -40 ~ 85° C (-40 ~ 185° F)
- **Storage Temperature:** -40 ~ 85° C (-40 ~ 185° F)
- **Humidity:** 5 ~ 95%, non-condensing

ADAM-4510I Specifications

- **Baud Rate (bps):** 1200, 2400, 4800, 9600, 19.2 k, 38.4 k, 57.6 k, 115.2 k and RS-422 (switchable)
- **Isolation Voltage:** 3000 VDC
- **RS-422/RS-485 Interface Connector:** Plug-in screw terminal
- **Power Consumption:** 1.4 W

ADAM-4520I Specifications

- **Baud Rate (bps):** 1200, 2400, 4800, 9600, 19.2 k, 38.4 k, 57.6 k, 115.2 k, RTS control and RS-422 mode (switchable)
- **Isolation Voltage:** 3000 VDC
- **RS-232 Interface Connector:** Female DB-9
- **RS-422/RS-485 Interface Connector:** Plug-in screw terminal
- **Power Consumption:** 1.2 W

Switch Settings

Switch Description

DIP switches in the ADAM converter and repeater modules set the data format (number of bits) and baud rate for the ADAM network. You can configure the other modules in the network via software commands. Your program and the PC's serial port should match the settings of the converter and repeater modules.

SW1

Switch 1 controls the data format. Data can be 9, 10, 11 or 12 bits. The factory default is 10 bits: one start bit, eight data bits, no parity bit and one stop bit.

When using the converter in combination with other ADAM modules, do not change the default setting as ADAM modules have a fixed data format of ten data bits. The option of changing to 9, 11 or 12 bits is for use with other modules (other than ADAM modules) that have different data formats. When you change the data format, you will have to change the data format settings on all the other modules in the network.

SW2

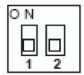
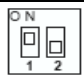
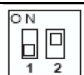
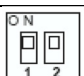
Switch 2 sets the baud rate. The options range from 1200 bps to 115.2 kbps. The factory default is 9600 bps. Be aware that when you change the baud rate, you have to change the baud rate for all the connected modules accordingly. If the RS-422 mode is ON, the baud rate doesn't need to be set.

SW3

Switch 3 sets the mode. When the mode is set "Normal", the baud rate and data format will use SW1 and SW2 setting. When the mode is set "Auto Baud Rate with Noise Reduction", the baud rate and data format will be set automatically. This mode also help reduce the noise.

Note: There is only one ADAM-4510I or ADAM-4520I module can be set in "Auto Baud Rate with Noise Reduction" mode in single RS-485 network.

Data Format Settings (SW1)


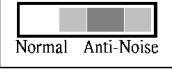
9 bits	
10 bits (default)	
11 bits	
12 bits	

ADAM-4510I Repeater Module

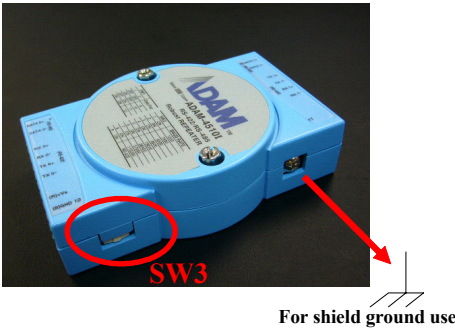
1200 bps	
2400 bps	
4800 bps	
9600 bps (default)	
19.2 kbps	
38.4 kbps	
57.6 kbps	
115.2 kbps /Auto Baud Rate	
RS-422	

RTS Control	
1200 bps	
2400 bps	
4800 bps	
9600 bps (default)	
19.2 kbps	
38.4 kbps	
57.6 kbps	
115.2 kbps/ Auto Baud Rate	
RS-422	

Mode Settings (SW3)

Normal (default)	
Auto Baud Rate with Noise Reduction	

Note: Refer to the image below for the location of SW3



Communication Status

There is one LED on the panel of ADAM-4510I and ADAM-4520I module. Its purpose is to show the communication status:

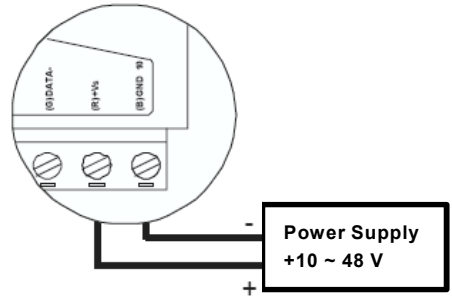
Communication Status		LED Color
RS-485	Idle	green
	RS-232 → RS-485	flash (green)
	RS-485 → RS-232	flash (red)
RS-422	Idle	dark green
	RS-232 → RS-422	flash (green)
	RS-422 → RS-232	flash (red)

Application Wiring

Power Supply

For easy use in industrial environments, the ADAM modules are designed to accept industry standard +24 VDC unregulated power. Operation is guaranteed when using any power supply between +10 and +48 VDC. Power ripples must be limited to 5 V peak to peak while the voltage in all cases must be maintained between +10 and +48 VDC. All power supply specifications are referenced at module connector.

The power cables should be selected according to the number of modules connected and the length of the power lines. When using a network with long cables, we advise the use of thicker wire to limit the line voltage drop. In addition to serious voltage drops, long voltage lines can also cause interference with communication wires.



We advise that the following standard colors (As indicated on the modules) be used for power lines:
+Vs (R) Red
GND (B) Black

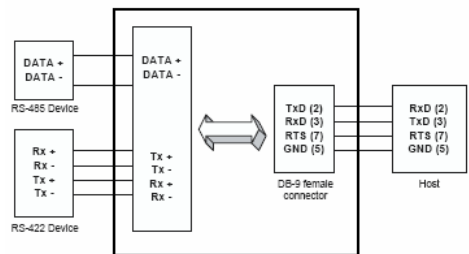
Communication Wiring

We recommend that shielded-twisted-pair cables that comply with the EIA RS-485 standard be used with the ADAM network to reduce interference. Only one set of twisted-pair cables is required to transmit both data and RTS signals. We advise that the following standard colors (as indicated on the modules) be used for the communication lines:

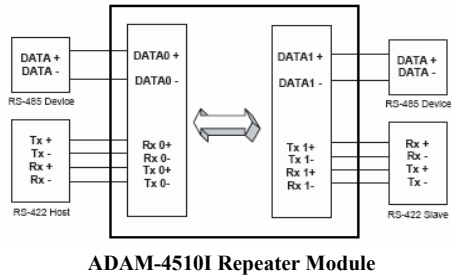
DATA + (Y) Yellow
DATA - (G) Green

Basic Configuration

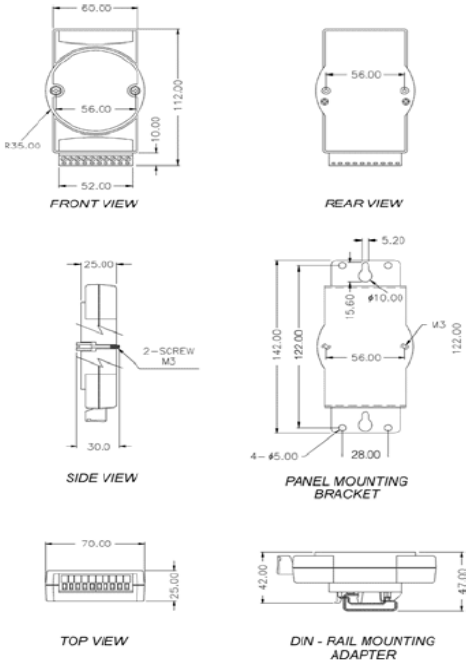
Before placing a module in an existing network, the module should be properly configured. The two following diagrams show typical layouts for both modules:



ADAM-4520I Converter Module

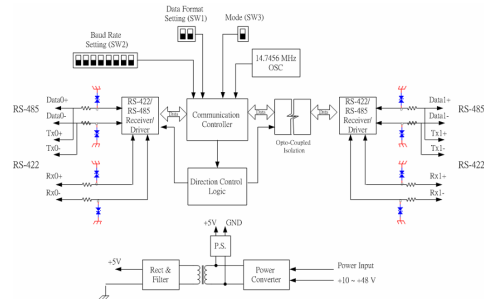


ADAM Dimensions



Function Diagrams

ADAM-4510I Repeater



ADAM-4520I Converter

