

Level switch CPW-3zC with time and sensitivity adjustment



www.mikrobest.pl

Relay for monitoring levels in wells, basins, tanks...



General characteristics

- Electronic relay for monitoring level of liquid
- 1 relay output with 2 changeover contacts (DPDT)
- Green LED for relay state
- Red LED for supply voltage
- Choice of function PUMP UP / PUMP DOWN
- Industrial housing; rail 35mm mounting
- Time and sensitivity adjustment

Technical parameters

Supply terminals:	230 V; 50Hz
Consumption:	max 3VA
Current rating:	8A/250V AC1 8A/24V DC1
Protection degree:	IP40
Dimensions:	95 x 48 x 52mm

Function

Relay is designated for monitoring of levels of conductive liquids with possibility of functions PUMP UP and PUMP DOWN. For measuring use three measuring probes: E1 - upper level; E2 - lower level and E3 - common probe. In case you use a tank made of a conductive material, you can use it as a probe E3. CPW-2zC is designated to monitoring liquids with sensitivity like water.

time adjustment

R [E1 E2 E3 Z1 Z2] U

Zwórka Z1 - Z2 jest - napowienie zbiornika
Zwórki Z1 - Z2 brak - zabezp. przed suchob.

opóźnienie [s]

czułość [kΩ]

CPW-3zC
Czujnik poziomu
cieczy MikroBest

8A / 230V AC1
8A / 24V DC1

Un

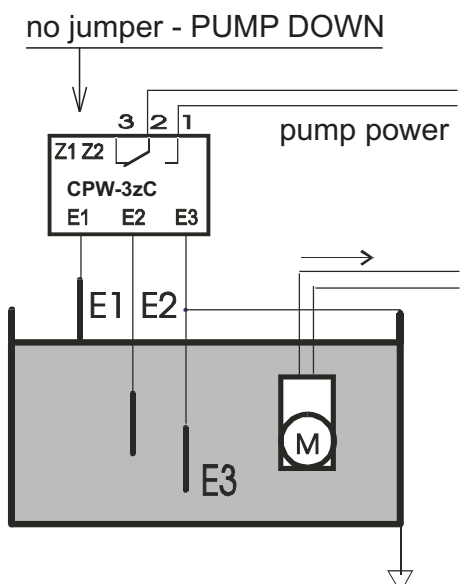
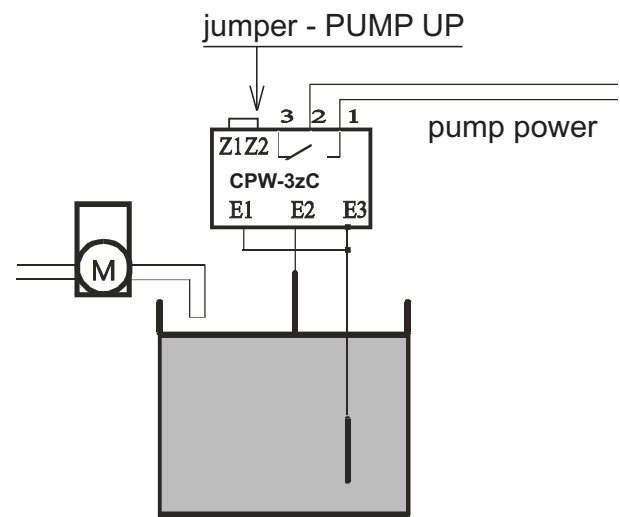
1 2 3 4 5 6

7 8

⊙ ⊙ ⊙ ⊙ ⊙ ⊙

L N

sensitivity adjustment



Zasilanie:
Un - 230V; 50Hz

Zasilanie elektrod:
12VDC oddziel. galwan.

Styki przekaźnika:
8A / 250V AC1
8A / 24V DC1