



RAIN SENSOR

STR-R

**WARRANTY.** The F&F products are covered by a warranty of the 24 months from the date of purchase. Effective only with proof of purchase. Contact your dealer or directly with us. More information how to make a complaint can be found on the website: [www.fif.com.pl/reklamacje](http://www.fif.com.pl/reklamacje)



Do not dispose of this device to a garbage bin with other unsorted waste! In accordance with the Waste Electrical and Electronic Equipment Act any household electro-waste can be turned in free of charge and in any quantity to a collection point established for this purpose, as well as to the store in the event of purchasing new equipment (as per the old for new rule, regardless of brand). Electro-waste thrown in the garbage bin or abandoned in the bosom of nature pose a threat to the environment and human health.

**PURPOSE**

STR-R controller along with external rainfall sensor is designed to detect rainfall. Combined with STR-3 or STR-4 roller blind controller it allows to build a system that in the case of rain closes window roller blinds or retracts awnings.

**OPERATION**

The controller operates in two modes:

**Continuous**

With the start of a rainfall the internal contact relay closes and remains closed for the entire duration of rainfall. Combined with STR-3 and STR-4 roller blind controllers the continuous mode ensures closing of roller blinds at a time of rainfall and locking them in closed position until the end of rainfall.



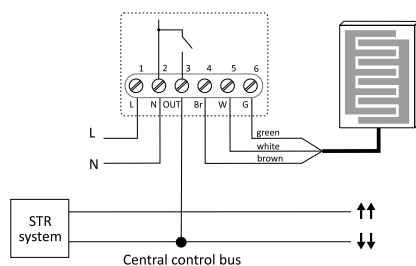
**Pulse**

With the start of a rainfall the internal contact relay closes for approx. 1.5 second, passing to roller blind's controllers a single command of closing. Combined with STR-3 and STR-4 roller blind controllers the pulse mode ensures closing of roller blinds at the time of rainfall, but then the user has the ability to raise the roller blinds at any time.



Selection of the operating mode is performed using the knob on the housing of the controller.

**CONNECTION DIAGRAM**



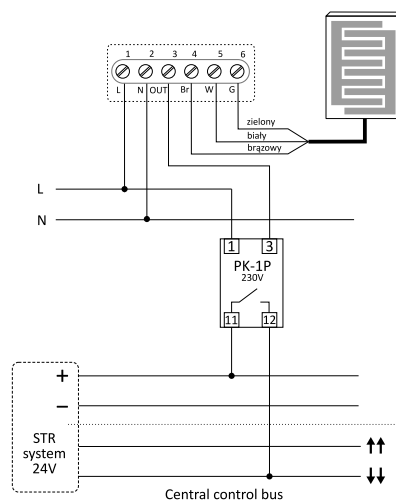
**Description of terminals:**

- 1 - 2 230V AC
- 3 signal output OUT (internal contact relay N on output)
- 4 - 5 - 6 rain sensor signal input:  
Br (4) - brown  
W (5) - white  
G (6) - green

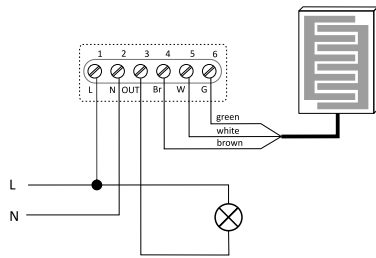
**WARNING!**

Using 12/24V roller blind controllers requires relay, for example PK-1P.

**Directly connecting STR-R controller to STR-4 or STR-3D-24 controllers' inputs will result in equipment damage and may cause fire or electric shock to the user.**



Scheme of STR-R controller as a rainfall indicator



**SIGNALLING**

Controller's power supply is indicated by a green LED U light. Signalling red LED OUT:

- \* Continuous mode - contact switching and the occurrence of rainfall is indicated by continuous LED light.
- \* Pulse mode - contact switching and the occurrence of rainfall is indicated by LED light. After contact disconnection the LED blinks for the whole duration of rainfall.

**INSTALLATION**

1. Disconnect power.
2. Install the STR-R controller in a place not directly exposed to moisture.
3. Install the external rain sensor on the outside of the building. It is recommended to install the sensor at an angle of 10-30 degrees to the floor so that water can flow freely from the sensor surface.
4. Connect the external rain sensor, paying attention to the order of the wires.

**NOTE!**

If necessary, the wire to the external rain sensor may be extended by an additional 3-core cable (recommended wire diameter - 0.25-0.5mm<sup>2</sup>). Make sure the connection point is properly protected from moisture and atmospheric conditions.

5. Connect the controller accordingly to the chosen scheme of work.
6. Set the selected with potentiometer operation mode (A or B).
7. Connect power.

**TECHNICAL DATA**

**driver**

power input	100÷265V AC
contact	relay closing causes the N line level to appear
max. load (AC-1)	2A/230V
power consumption	
standby	<0.2W
on	<0.6W
working temperature (without vapor condensation)	-15÷50°C
external connection	max. 2,5mm <sup>2</sup>
max. tightening torque	0.4Nm
signalling	
power	LED green U
rain and relay activation	LED red OUT
terminal	screw terminals 2,5mm <sup>2</sup>
dimensions	67x50x26mm
insulation (power-sensor-contact)	≥500V
fixing	two screws to the base
protection grade	IP20

**rain sensor**

dimensions	55×50×13 mm
power input	8÷32V DC
cable	3×0,25 mm <sup>2</sup> /l=5m
mounting	screw hole Ø3/adhesive tape
position	<30°
protection grade	IP65