



**Zakład Mechaniki i Elektroniki
ZAMEL sp.j.**
J.W. Dzida, K. Łodzińska



ul. Zielona 27, 43-200 Pszczyna, Poland
Tel. +48 (32) 210 46 65, Fax +48 (32) 210 80 04
www.zamelcet.com, e-mail: marketing@zamel.pl

DESCRIPTION

The staircase lighting time delay switch ASH-01 is used to control lighting devices on staircases and corridors. After releasing the system it switches on the lighting for the preset time by the user. After that it switches off automatically. The operating time can be adjusted from 10 sec to 10 min by means of a potentiometer. The staircase lighting time delay switch ASH-01 can be used as standard time delay relay. The hermetic casing (IP65) secures the device functioning in unfavorable weather conditions.

FEATURES

- ☞ Staircase lighting control,
- ☞ operating time adjustment from 10 sec to 10 min,
- ☞ cooperation with monostable push-buttons equipped with illumination lamps,
- ☞ cooperation with 3-wire or 4-wire installation,
- ☞ cable connection 0,5 m long,
- ☞ hermetic casing (IP 65),
- ☞ voltage relay output max 16 A capacity.

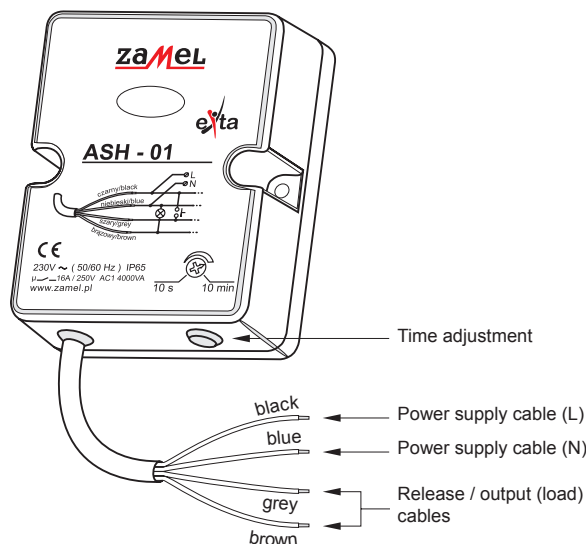


The device is designed for single-phase installation and must be installed in accordance with standards valid in a particular country. The device should be connected according to the details included in this operating manual. Installation, connection and control should be carried out by a qualified electrician staff, who act in accordance with the service manual and the device functions. Disassembling of the device is equal with a loss of guarantee and can cause electric shock. Before installation make sure the connection cables are not under voltage. The cruciform head screwdriver 3,5 mm should be used to instal the device. Improper transport, storage, and use of the device influence its wrong functioning. It is not advisable to instal the device in the following cases: if any device part is missing or the device is damaged or deformed. In case of improper functioning of the device contact the producer.

TECHNICAL PARAMETERS

ASH-01	
Power supply cables:	L (black), N (blue)
Input rated voltage:	230 V~
Input voltage tolerance:	from -15 to +10 %
Nominal frequency:	50 / 60 Hz
Rated power consumption:	48 mA
Release / output (load) cables:	brown, grey (connected inside)
Time adjustment range:	from 10 sec to 10 min
Time accuracy adjustment:	±10 %
Time repeatability adjustment:	±5 %
Time adjustment:	rotational potentiometer
Output relay parameters:	16 A / 250 V AC1 4000 VA
Number of switch cables:	4
Section of connecting cables:	4 x 1,50 mm ²
Connecting cable length:	0,5 m
Ambient temperature range:	from -20 to +45 °C
Operating position:	vertical, pointed down
Mounting:	2x stretcher 5x(3x30)
Protection degree:	IP65 (PN-EN 60529)
Protective class:	II
Overvoltage category:	II
Pollution degree:	2
Rated impulse withstand voltage:	1 kV (PN-EN 61000-4-5)
Dimensions:	69 x 56 x 27 mm
Weight:	101 g
Reference standards:	PN-EN 60669-1 PN-EN 60669-2-1 PN-EN 61000-4-2,3,4,5,6,11

APPEARANCE



MOUNTING

1. Disconnect the power supply from the mains by the phase fuse, the circuitbreaker or the switch-disconnector that are joined to the proper circuit.

2. Check if there is no voltage on connection cables by means of a special measure equipment.

3. Fasten the ASH-01 to the base with the screw.

NOTICE! It is forbidden to bore fitting holes in the cover! It may result in the loss of containment of the cover and by this – the loss of guarantee!

4. Connect the cables ASH-01 with the hermetic installation junction box according to installing diagram.

5. Switch on the power supply from the mains.

6. Take out the rubber hole plug covering the adjustment of the switch on threshold potentiometer.

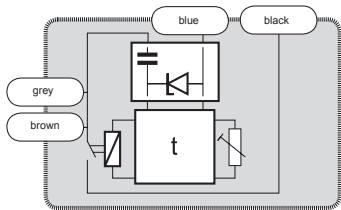
7. Adjust the demanded switch on time by means of a potentiometer.

8. Put back the rubber hole plug covering the potentiometer.

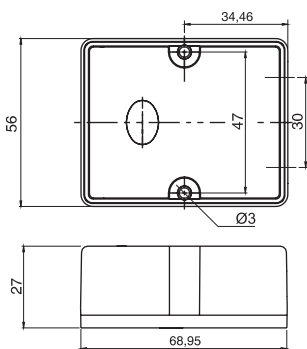
FUNCTIONING

After proper mounting and installation the device is ready to work. Releasing the system with the monostable pushbutton causes the lighting to switch on for the preset time. After the preset time is over the lighting is automatically switched off till its another release. The staircase lighting time delay switch cooperates with 3-wire or 4-wire system. While mounting the device pay attention the release and load systems are properly connected, otherwise the device can be irreparably damaged. Because of no anti-blocking system the light is constantly switched on in cases the pushbutton is blocked.

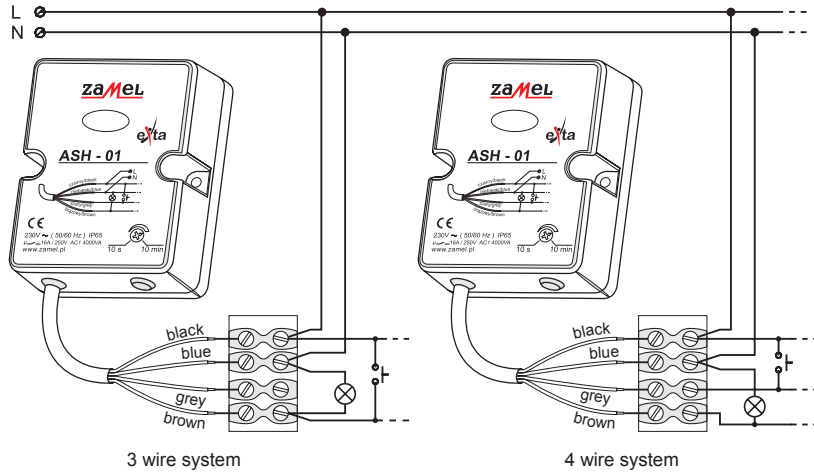
INNER DIAGRAM



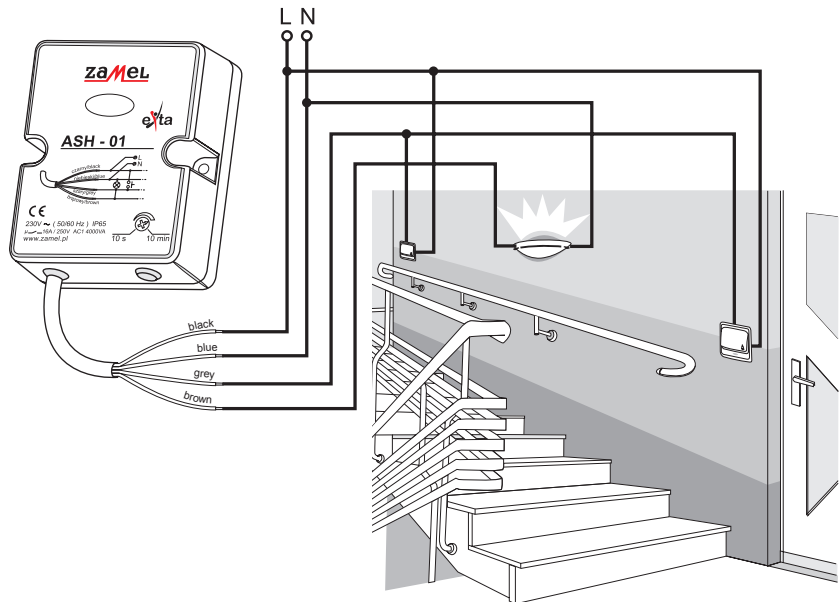
DIMENSIONS



CONNECTING



EXAMPLE OF INSTALLATION



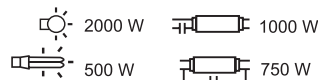
Typical application:

The staircase lighting time delay switch ASH-01 operating the staircase lighting works in 3-wire installation. Monostable pushbutton (equipped with illumination) can be connected parallelly.

TIME COURSE



RELAY CAPACITY



PRODUCT FAMILY

The ASH-01 is a member of the ASx staircase timer family.

ASx - xx (/24V)

Version 24 V AC/DC for ASM-02 available

Device version:
01 – three - or four-conductor wiring
02 – anti-lock system
10 – dimmer function

Type of casing:
M – monomodule
N – surface mounting
H – hermetical
P – for junction box mounting

Device symbol