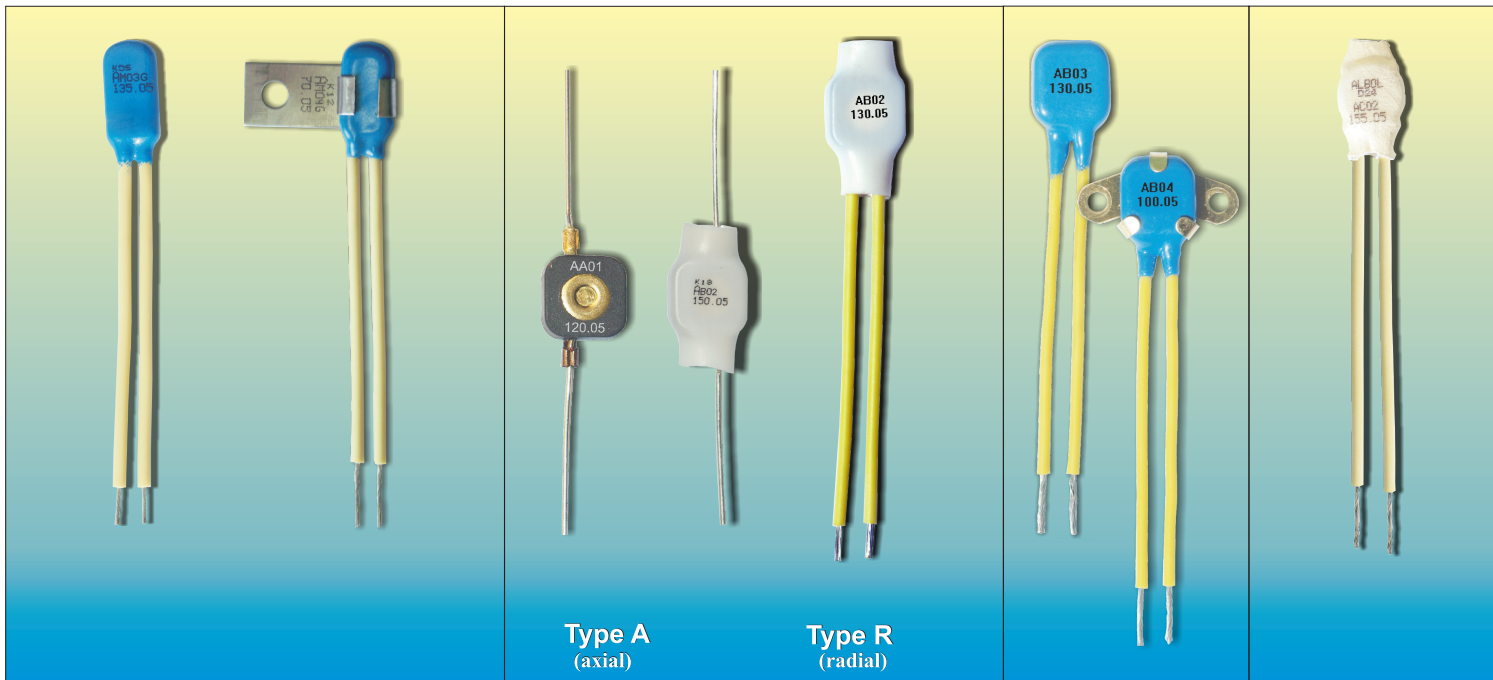
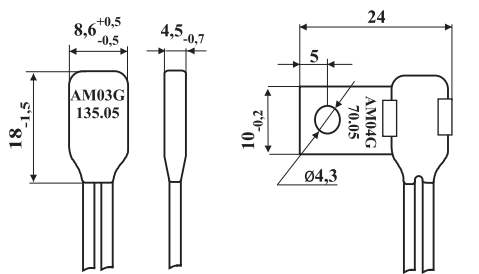


	AM06   AM07-1	AMR03	AB02-1	AB03-1	AD01	AD02
1	SPST n.c.	SPST n.c.	SPST n.c.	SPST n.c.	SPST n.c.	SPST n.c.
2	250V; AC	250V; AC	250V; AC	250V; AC	250V; AC	250V; AC
3	2,5 A 1,6 A	2,5 A 1,6 A	2,5 A 1,6 A	2,5 A 1,6 A	2,5 A 1,6 A	2,5 A 1,6 A
4	10 000 cycles	3 000 cycles	10 000 cycles	10 000 cycles	10 000 cycles	10 000 cycles
5	3,6 A / 2000 cycles	3,6 A / 2000 cycles	3,6 A / 2000 cycles	3,6 A / 2000 cycles	3,6 A / 2000 cycles	3,6 A / 2000 cycles
6	65°C - 160°C	65°C - 150°C	65°C - 160°C	65°C - 150°C	65°C - 180°C	65°C - 160°C
7	±5K/±7,5K/±10K	±5K/±7,5K/±10K	±5K/±7,5K/±10K	±5K/±7,5K/±10K	±5K/±7,5K/±10K	±5K/±7,5K/±10K
8	30 ± 15 K	voltage maintained	30 ± 15 K	30 ± 15 K	30 ± 15 K	30 ± 15 K
9	0,5 ÷ 1 K / min	0,5 ÷ 1 K / min	0,5 ÷ 1K / min	0,5 ÷ 1K / min	0,5 ÷ 1K / min	0,5 ÷ 1K / min
10	2	2	2	2	2	2
11	max 230°C / 1 min	max 190°C / 1 min	max 230°C / 1 min	max 230°C / 1 min	max 190°C / 1 min	max 190°C / 1 min
12	IP 54   IP68	IP 00	IP 00	IP 00	IP 00	IP 00
13	250 V	250 V	250 V	250 V	250 V	250 V
14	incorporated; non-electronic	incorporated; non-electronic	incorporated; non-electronic	incorporated; non-electronic	incorporated; non-electronic	incorporated; non-electronic
15	2 500 V; 50 Hz	2 500 V; 50 Hz	2 500 V; 50 Hz	2 500 V; 50 Hz	-----	2 500 V; 50 Hz
16	max ≤ 40 mΩ	max ≤ 40 mΩ	max ≤ 40 mΩ	max ≤ 40 mΩ	max ≤ 40 mΩ	max ≤ 40 mΩ
17	BEAB, ENEC	UL	VDE in progress			

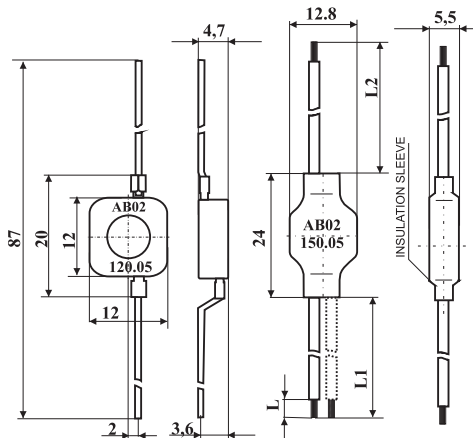
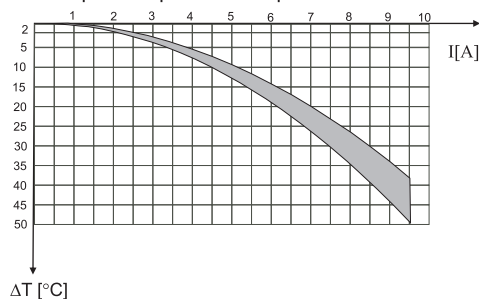


**Type A**  
(axial)

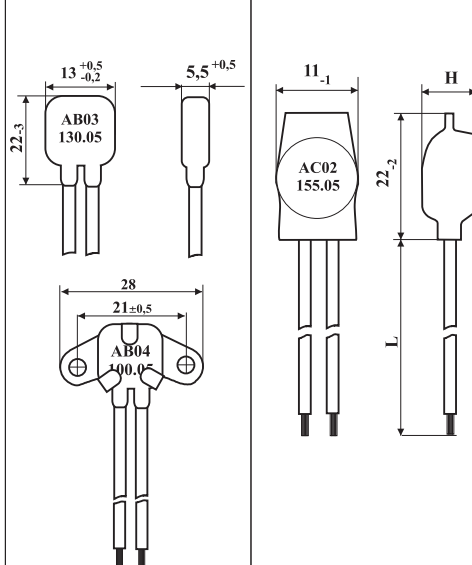
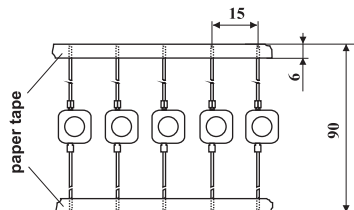
**Type R**  
(radial)



Open temperature drop vs. current

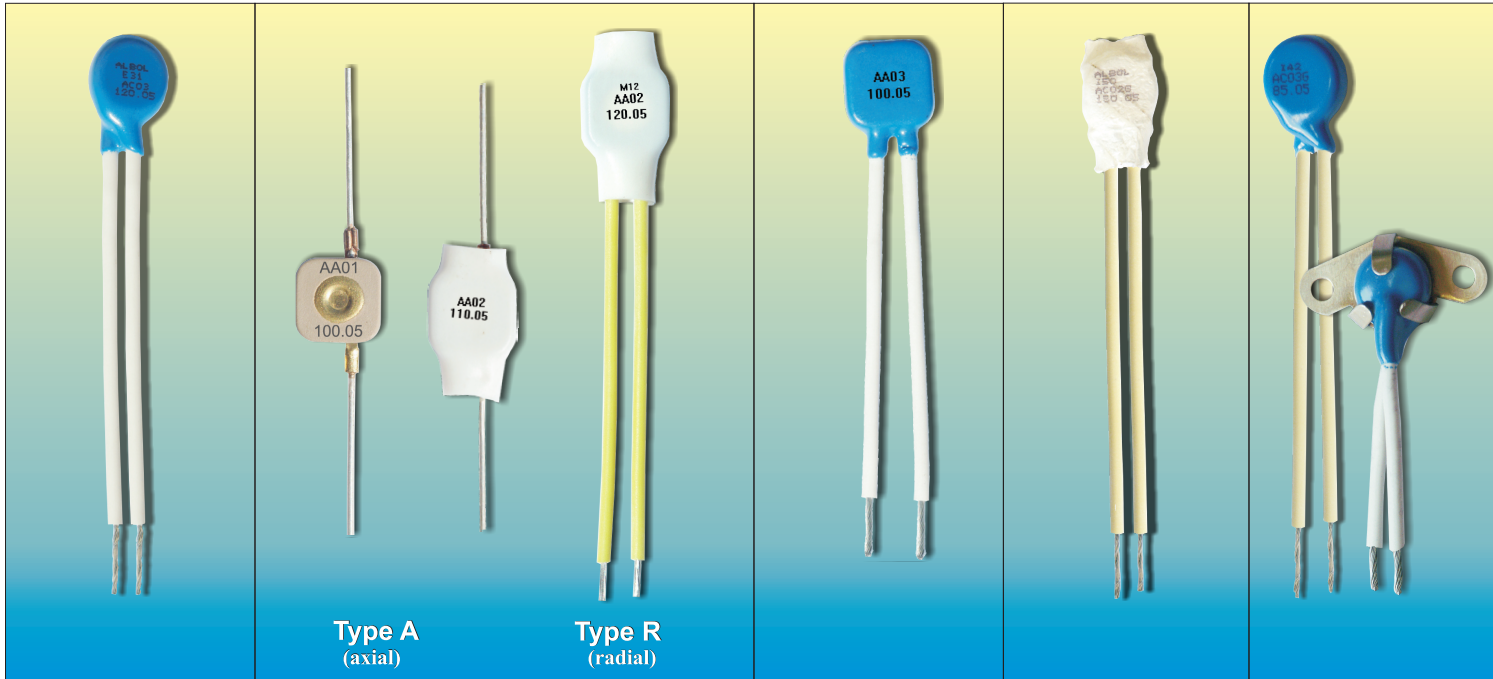


Packing (option)



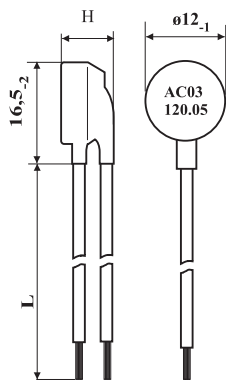
H = 6,9 for silicone cable  
H = 6,6 for PTFE cable

	AM03G AM04G	AB01   AB02	AB03 AB04	AC02
1	SPST n.c.	SPST n.c.	SPST n.c.	SPST n.c.
2	250V; AC	250V; AC	250V; AC	250V; AC
3	4,5 A 1,6 A	6,3 A 4,0 A	6,3 A 4,0 A	6,3 A 4,0 A
4	10 000 cycles	10 000 cycles	10 000 cycles	10 000 cycles
5	6 A / 2000 cycles	10 A / 2000 cycles	10 A / 2000 cycles	10 A / 2000 cycles
6	65°C - 150°C	65°C - 150°C	65°C - 150°C	65°C - 180°C
7	±5K/±7,5K/±10K	±5K/±7,5K/±10K	±5K/±7,5K/±10K	±5K/±7,5K/±10K
8	30 ± 15 K	30 ± 15 K	30 ± 15 K	30 ± 15 K
9	0,5 ÷ 1 K / min	0,5 ÷ 1 K / min	0,5 ÷ 1 K / min	0,5 ÷ 1 K / min
10	2	2	2	2
11	max 190°C / 1 min	max 230°C / 1 min	max 230°C / 1 min	max 190°C / 1 min
12	IP 00	IP 00	IP 00	IP 00
13	250 V	250 V	250 V	250 V
14	incorporated; non-electronic	incorporated; non-electronic	incorporated; non-electronic	incorporated; non-electronic
15	2 500 V; 50 Hz	-----   2 500 V ; 50Hz	2 500 V; 50 Hz	2 500 V; 50 Hz
16	max ≤ 40 mΩ	max ≤ 25 mΩ	max ≤ 25 mΩ	max ≤ 25 mΩ
17				VDE, UL

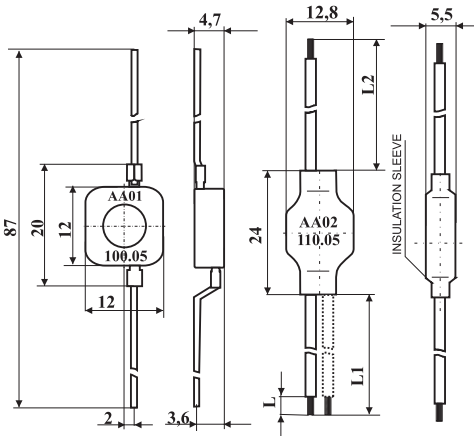


**Type A**  
(axial)

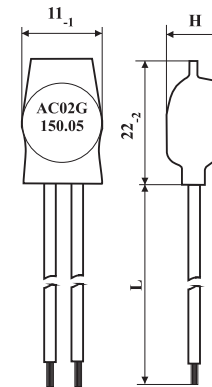
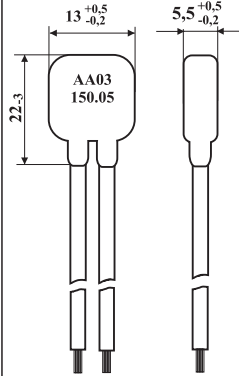
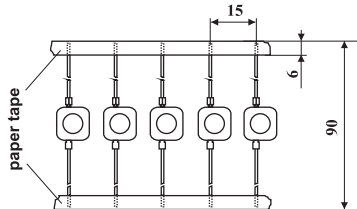
**Type R**  
(radial)



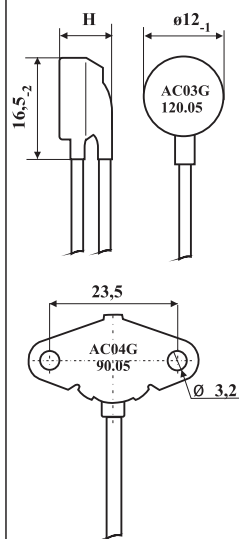
H = 7,7 for silicone cable  
H = 7,2 for PTFE cable



**Packing (option)**



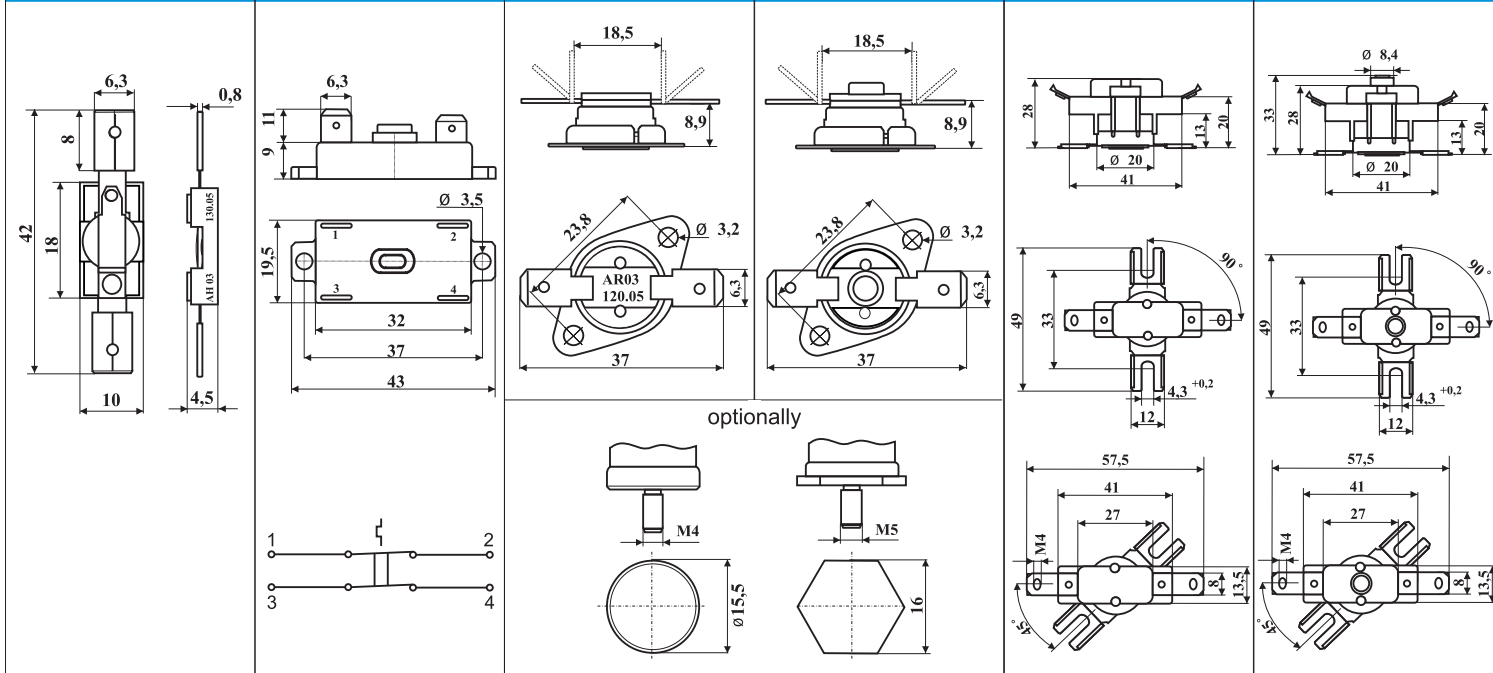
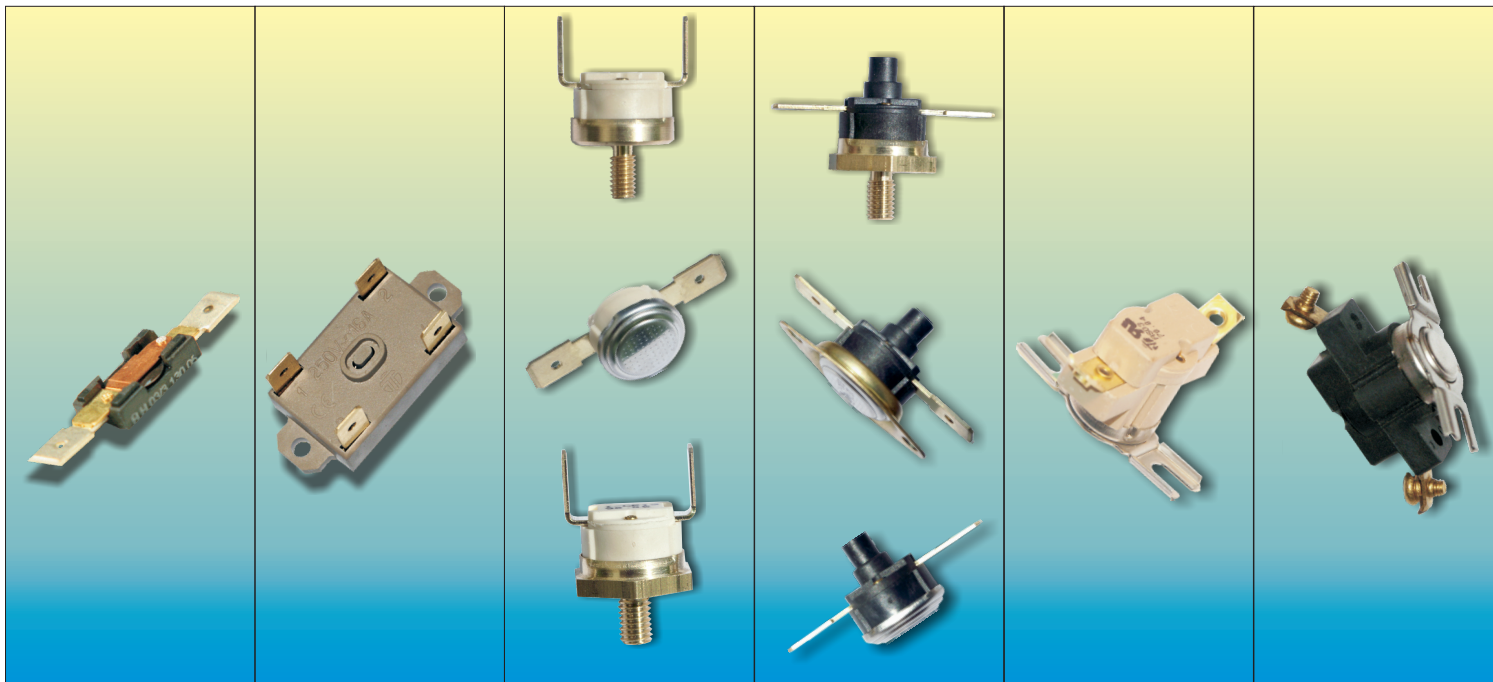
H = 7,2 for silicone cable  
H = 6,9 for PTFE cable



H = 8 for silicone cable  
H = 7,5 for PTFE cable

	AC03	AA01   AA02	AA03	AC02G	AC03G AC04G
1	SPST n.c.	SPST n.c.	SPST n.c.	SPST n.c.	SPST n.c.
2	250V; AC	250V; AC	250V; AC	250V; AC	250V; AC
3	6,3 A 4,0 A	13A 6,0A	13 A 6,0A	13 A 6,0 A	13 A 6,0 A
4	10 000 cycles		10 000 cycles	10 000 cycles	10 000 cycles
5	10 A / 2000 cycles	10 A / 2000 cycles	16 A / 2000 cycles	16 A / 2000 cycles	16 A / 2000 cycles
6	65°C - 150°C	65°C - 150°C	65°C - 150°C	65°C - 180°C	65°C - 160°C
7	±5K/±7,5K/±10K	±5K/±7,5K/±10K	±5K/±7,5K/±10K	±5K/±7,5K/±10K	±5K/±7,5K/±10K
8	30 ± 15 K	30 ± 15 K	30 ± 15 K	30 ± 15 K	30 ± 15 K
9	0,5 ÷ 1 K / min	0,5 ÷ 1 K / min	0,5 ÷ 1 K / min	0,5 ÷ 1 K / min	0,5 ÷ 1 K / min
10	2	2	2	2	2
11	max 190°C / 1 min	max 230°C / 1 min	max 230°C / 1 min	max 190°C / 1 min	max 190°C / 1 min
12	IP 00	IP 00	IP 00	IP 00	IP 00
13	250 V	250 V	250 V	250 V	250 V
14	incorporated; non-electronic	incorporated; non-electronic	incorporated; non-electronic	incorporated; non-electronic	incorporated; non-electronic
15	2 500 V; 50 Hz	-----   2 500 V ; 50Hz	2 500 V; 50 Hz	2 500 V; 50 Hz	2 500 V; 50 Hz
16	max ≤ 25 mΩ	max ≤ 25 mΩ	max ≤ 15 mΩ	max ≤ 15 mΩ	max ≤ 15 mΩ
17	VDE				VDE





	AH03/3	AK33	AR03	AR33	AS03	AS33
1	SPST n.c.	DPST n.c.	SPST n.c.	SPST n.c.	SPST n.c.	SPST n.c.
2	250V; AC	250V; AC	250V; AC	250V; AC	250V; AC	max 400V; AC
3	13 A 2,5 A	16 A per each line 6,0 A per each line	16 A 6,0 A	16 A 6,0 A	25A/250 V	25A/250 V; 15A/400 V 16A/250 V; 10A/400 V
4	10 000 cycles	10 000 cycles	3 000 cycles	3 000 cycles	6 000 cycles	10 000 cycles
5	16 A / 2000 cycles	20 A / 200 cycles	20 A / 200 cycles	20 A / 200 cycles	40 A / 50 cycles	32 A / 200 cycles
6	65°C - 150°C	65°C - 150°C	50°C - 180°C	50°C - 180°C	60°C - 180°C	60°C - 180°C
7	±5K/±7,5K/±10K	±5K/±7,5K/±10K	±5K/±7,5K/±10K	±5K/±7,5K/±10K	±5K/±7,5K/±10K	±5K/±7,5K/±10K
8	30 ± 15 K	manual reset	30 ± 15 K	manual reset	30 ± 15 K	manual reset
9	0,5 ÷ 1 K / min	0,5 ÷ 1 K / min	0,5 ÷ 1 K / min	0,5 ÷ 1 K / min	0,5 ÷ 1 K / min	0,5 ÷ 1 K / min
10	2	2	2	2	2	2
11	max 230°C / 1 min	max 260°C / 1 min	max 260°C / 1 min	max 260°C / 1 min	max 260°C / 1 min	max 260°C / 1 min
12	IP 00	IP 00	IP 00	IP 00	IP 00	IP 00
13	250 V	250 V	250 V	250 V	250 V	250 V
14	incorporated; non-electronic	incorporated; non-electronic	incorporated; non-electronic	incorporated; non-electronic	incorporated; non-electronic	incorporated; non-electronic
15	-----	2 500 V; 50 Hz	2 500 V; 50 Hz*	2 500 V; 50 Hz*	2 500 V; 50 Hz*	3750 V; 50 Hz*
16	max ≤ 40 mΩ	max ≤ 40 mΩ	max ≤ 20 mΩ	max ≤ 20 mΩ	max ≤ 20 mΩ	max ≤ 20 mΩ
17			VDE	VDE	UL	

\*from cup to the terminal

