

# DATA SHEET



# **DIGMESA**

---

## EPI Arnite

Part number: 930-0501/V01

Digmesa AG, Keltenstrasse 31, CH-2563 Ipsach / Switzerland

Phone +41 (32) 332 77 77, Fax +41 (32) 332 77 88

[www.digmesa.com](http://www.digmesa.com)

Version 01 EPI 930-0501/V01 GB Page 1-5

# General Description

The EPI flowmeter is specifically suitable for fluid flow rate measurement of highly viscous media such as syrup, oil or detergent concentrates. Thanks to its special design and the epicyclic wheels, the EPI flowmeter is highly precise and allows extremely accurate flow measurement with minimal pressure loss.

**Specific applications:** Highly viscous media, high temperatures, high flow rates with low pressure loss and good chemical resistance.

## Approvals / Standards

EN55014-1:00+A1:01+A2:02, EN61000-6-3:01+A11:04, IEC61000-6-3:06(ed.2.0), EN61000-3-2:06, IEC61000-3-2:05(ed.3.0), EN61000-3-3:95+A1:01+A2:05, IEC61000-3-3:94+A1:01+A2:05(Cons.ed 1.2), EN55014-2:97+A1:01, EN61000-6-1:01, IEC61000-6-1:05(ed.2)



## Material:

Housing: PBT 35% GF (Arnite)  
 Bearing pin: Inox 1.4435  
 Aluminium oxide on request  
 O-ring: FPM (Viton)  
 EPDM on request  
 Turbine: PEEK  
 Magnets: NdFeB (Neodym)  
 (not in contact with the medium)

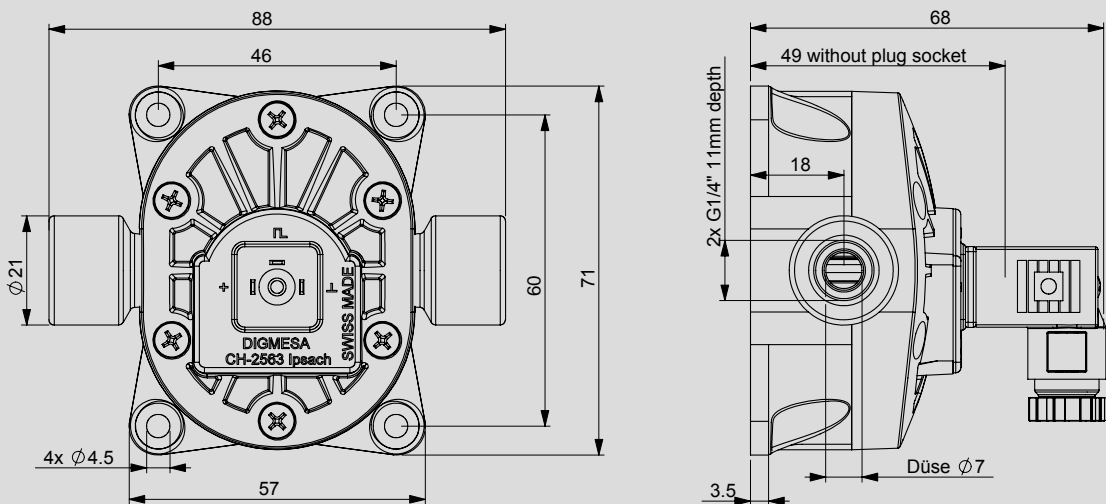
## Technical data:

Flow rate: 0.06 - 16.0 l/min  
 depending on viscosity  
 Measuring accuracy: +/- 1.0%  
 depending on viscosity  
 Repetition: < +/- 0.25%  
 Temperature range: -10°C to +65°C  
 14°F to 149°F  
 Pressure range: 10 bar at 20°C  
 145 psi /68°F  
 Mounting position: Horizontal recommended  
 Nozzle size: Ø 7.0 mm  
 Viscosity range: approx. 5 - 8000  
 centistokes

## Electrical connection ratings:

Power supply: 4.5–24 V DC  
 Consumption: 5 mA to max. 13 mA  
 Signal connection: Open collector NPN  
 Signal voltage: 0 V GND  
 Signal load: max. 20 mA  
 Leakage current: max. 10 µA  
 Connections: 3-pin AMP 2.8 x 0.8 mm  
 Signal: Square-wave output  
 Duty Cycle: 50% / ±3%

## Dimensions in mm:



## Included in the delivery:

3-pin solenoid socket  
 Item number: 941-0002/3



We reserve the right to make modifications in the interests of technical progress.

## RESISTANCE

Special regulations which must be complied with by the flowmeter manufacturer apply to each country, e.g. CE, NSF, FDA and SK. The various media flowing through the flowmeter differ from application to application. You are advised to enquire with the medium manufacturer as to whether the entire installation and the flowmeter are resistant to the medium itself (see Material)!

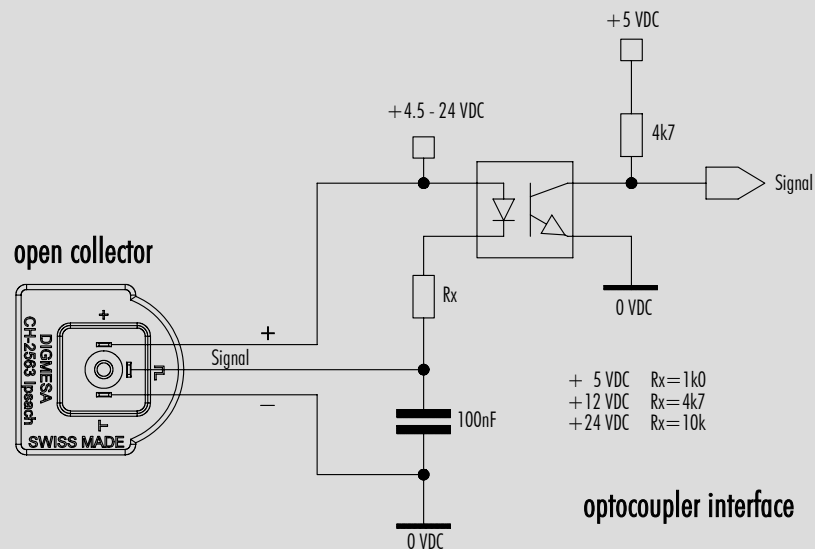
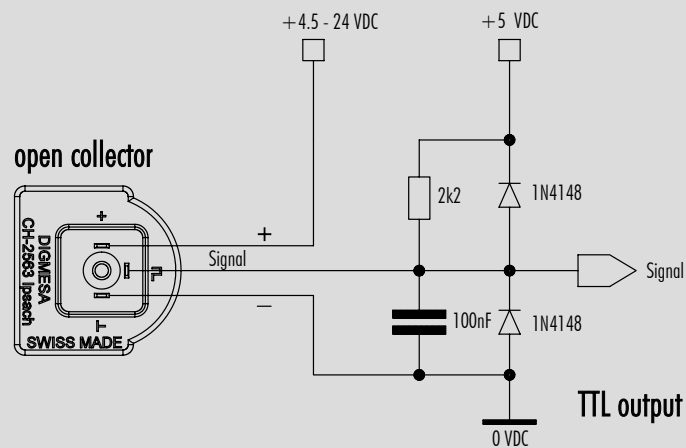
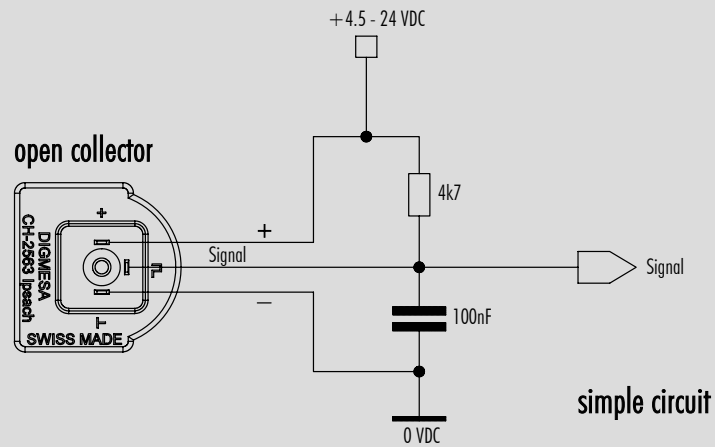
## ELECTRONIC

DIGMESA electronic circuitry is always designed for operation with DIGMESA flowmeters. Please note the following if connecting to other electronic circuitry:

- The flowmeter does not supply an output voltage but switches the signal terminal to 0 V ground (actuated) or leaves it open (non-actuated)
- There must be a pull-up resistor between power supply + and signal depending on electronic circuitry!

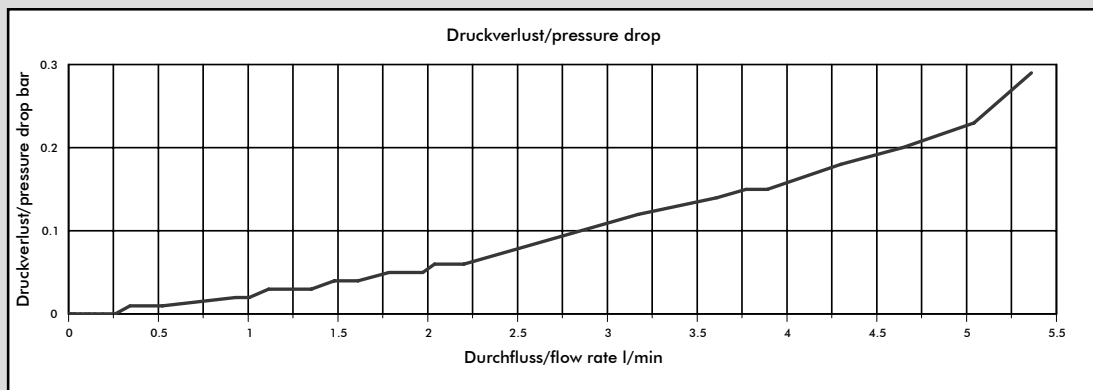
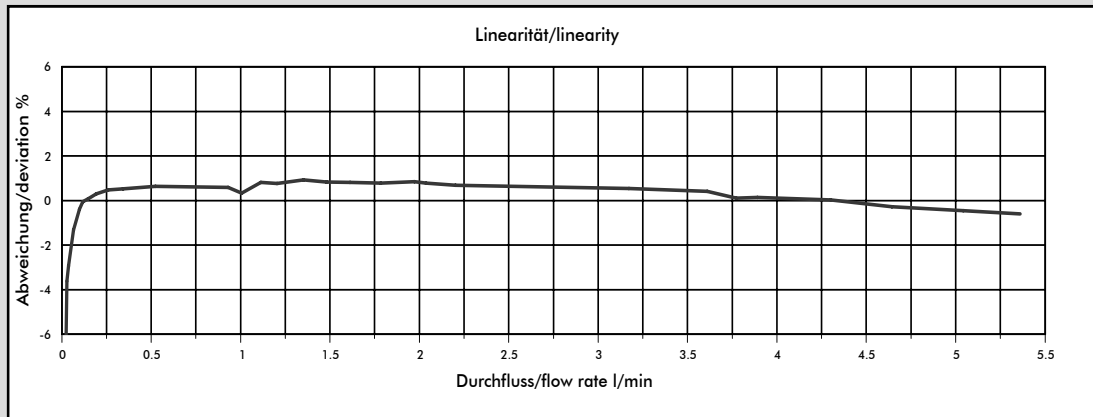
Version 01 EPI 930-0501/V01 G8 Page 2-5

# Interface Connection: Examples Open Collector



Digimesa

# Measurement Curve EPI Ø7.00 mm



Medium for these linearity and pressure loss curves: Cola syrup (approx. 24 centistokes).

Nozzle size	Pulses/litre	g/pulse	min. flow rate in litres/min at Linear start	max. flow rate in litres/min	Pressure loss
Ø 7.00 mm	462	2.166	0.0653	5.35	0.29

The min. and max. flow rate and the pressure loss may vary depending on viscosity.

**The values specified must be considered as approximate values.**

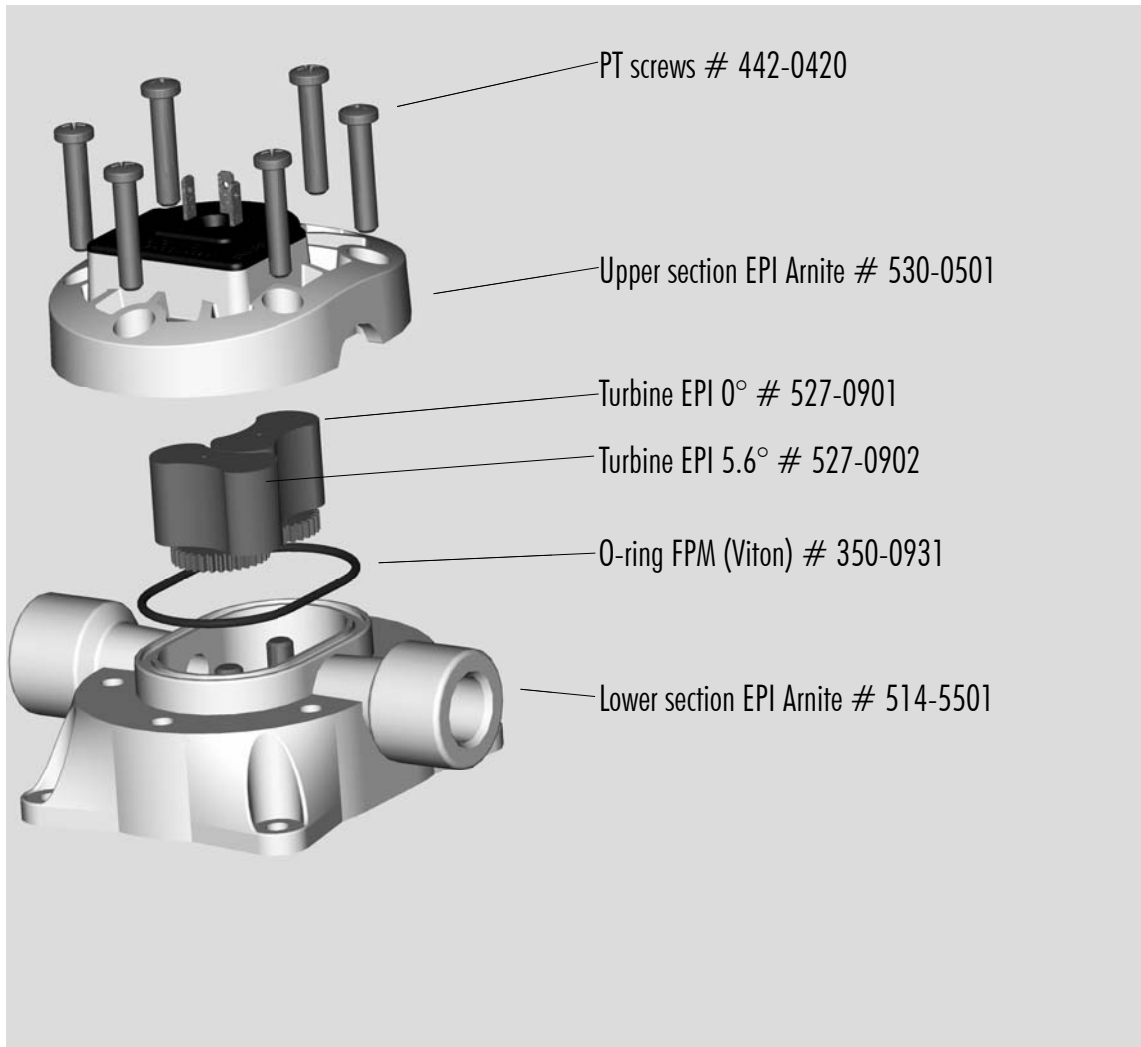
**The number of pulses per litre may differ depending on medium and installation.**

**We recommend to calibrate the number of pulses per litre in line with the complete installation.**

## MEASUREMENT TIPS

- Ensure that there is no fast-pulsatory movement of the media
- Ensure that there are no reverse pressure surges
- Ensure that there is no air in the system
- Note the mounting position of the flowmeter
- Min/max flow should be in the linear range of the selected flowmeter
- Clean the system at appropriate intervals
- Avoid electrical current peaks
- Incorrect cabling of power supply +, signal and ground will destroy the flowmeter
- Do not mechanically load electrical contacts
- Avoid moisture on the electrical contacts
- Avoid stray pick-up via the cable (Do not lay cables in parallel with high current loads)

## Spare parts:



DIGMESA

<b>Notes:</b>		

We reserve the right to make modifications in the interests of technical progress. Version 01 EPI 930-0501/V01 GB Page 5-5